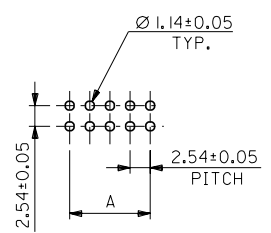
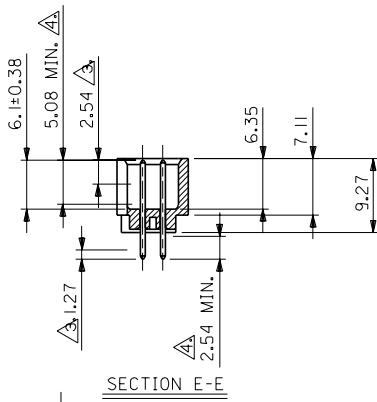
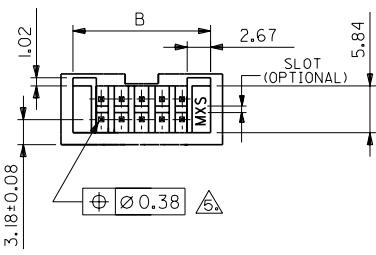
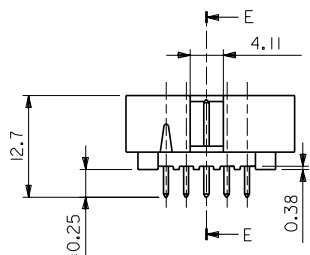
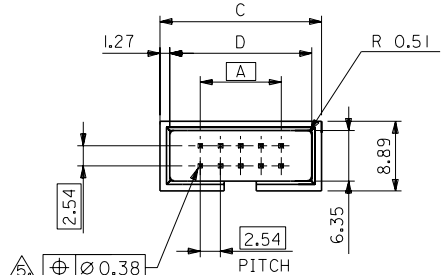


DWG. NO. SDA-70246-\*\*\*\*

SCALE DRAWING

IN METRIC DO NOT SCALE DRAWING



推奨基板穴寸法  
RECOMMENDED P.C. BOARD HOLE LAYOUT

注記  
NOTES

- 材質  
MATERIAL  
ハウジング: ガラス入りPBT UL94V-0 色: 黒  
HOUSING : G.F.PBT UL94V-0 COLOR: BLACK  
ピン : リン青銅  
PIN : PHOSPHOR BRONZE
- メッキ仕様  
PLATING  
ピン : 接点部 金メッキ 0.38 μm MIN.  
: CONTACT AREA GOLD 0.38 μm MIN.  
半田付け部 半田メッキ 1.9 μm MIN.  
SOLDER TAIL AREA TIN-LEAD 1.9 μm MIN.  
下地メッキ ニッケルメッキ 1.27 μm MIN.  
UNDER-PLATING NICKEL 1.27 μm MIN.

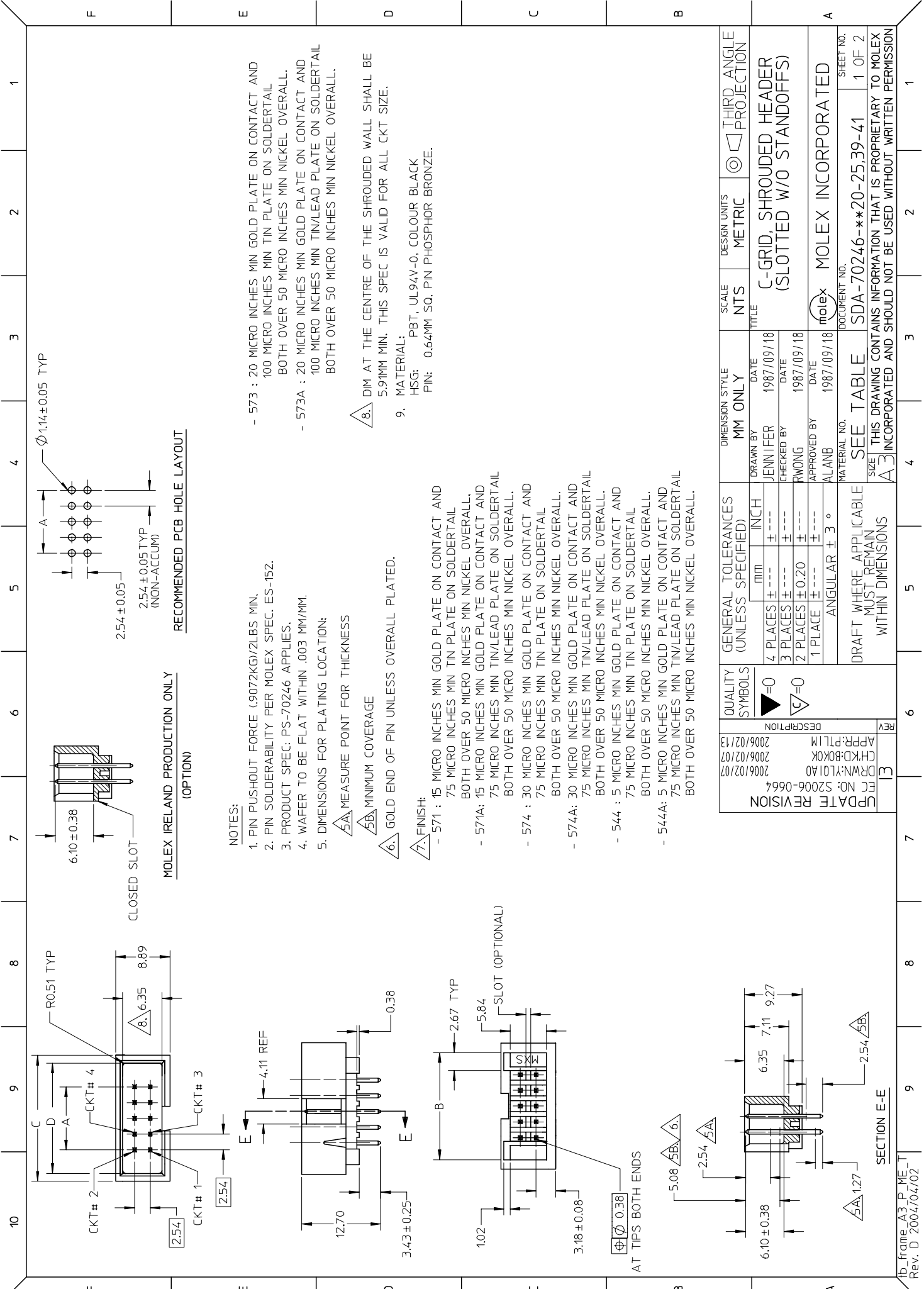
- △3 メッキ厚測定位置  
MEASURING POINT FOR PLATING THICKNESS
- △4 メッキ範囲  
PLATING AREA
- △5 ピン先端にて測定  
MEASURE PIN TIP END

68.58	71.12	68.07	60.96	A-70246-5021	50
D	C	B	A	ENG. No.	種数 CKT. SIZE

角度 ANGLE	+3°				
30 以上	+0.3				
10 以上 未満	+0.25				
10 未満	+0.2				
一般公差 GENERAL TOLERANCES					

材料 MATERIAL	注記参照 SEE NOTES	molex MOLEX-JAPAN CO.,LTD. 日本モレックス株式会社
仕上げ FINISH	注記参照 SEE NOTES	
適用電線範囲 WIRE RANGE	—	REVISE ONLY ON CAD SYSTEM
被覆外径 INS. RANGE	—	TITLE 名称 ASSY.C-GRID,SHROUDED HEADER (SLOTTED WITHOUT STANDOFFS)
DRAWN BY CHK'D BY	DATE	DWG. NO. SDA-70246-****
APP'D BY SCALE	DATE	REV 0

THIS DRAWING CONTAINS INFORMATION THAT IS PROPRIETARY TO MOLEX/JAPAN AND SHOULD NOT BE USED WITHOUT WRITTEN PERMISSION  
本図面は日本モレックス(株)の所有する情報を含むもので 当社の許可なく複製を禁止する。 EN-01C(032)MXJ-32



RECOMMENDED PCB HOLE LAYOUT

MOLEX IRELAND PRODUCTION ONLY (OPTION)

NOTES:

- PIN PUSHOUT FORCE (.9072KG/2LBS MIN).
- PIN SOLDERABILITY PER MOLEX SPEC. ES-152.
- PRODUCT SPEC: PS-70246 APPLIES.
- WAFER TO BE FLAT WITHIN .003 MM/MM.
- DIMENSIONS FOR PLATING LOCATION:
  - 5A MEASURE POINT FOR THICKNESS
  - 5B MINIMUM COVERAGE
- GOLD END OF PIN UNLESS OVERALL PLATED.
- FINISH:
  - 571 : 15 MICRO INCHES MIN GOLD PLATE ON CONTACT AND 75 MICRO INCHES MIN TIN PLATE ON SOLDER TAIL BOTH OVER 50 MICRO INCHES MIN NICKEL OVERALL.
  - 571A : 15 MICRO INCHES MIN GOLD PLATE ON CONTACT AND 75 MICRO INCHES MIN TIN/LEAD PLATE ON SOLDER TAIL BOTH OVER 50 MICRO INCHES MIN NICKEL OVERALL.
  - 574 : 30 MICRO INCHES MIN GOLD PLATE ON CONTACT AND 75 MICRO INCHES MIN TIN PLATE ON SOLDER TAIL BOTH OVER 50 MICRO INCHES MIN NICKEL OVERALL.
  - 574A : 30 MICRO INCHES MIN GOLD PLATE ON CONTACT AND 75 MICRO INCHES MIN TIN/LEAD PLATE ON SOLDER TAIL BOTH OVER 50 MICRO INCHES MIN NICKEL OVERALL.
  - 544 : 5 MICRO INCHES MIN GOLD PLATE ON CONTACT AND 75 MICRO INCHES MIN TIN PLATE ON SOLDER TAIL BOTH OVER 50 MICRO INCHES MIN NICKEL OVERALL.
  - 544A : 5 MICRO INCHES MIN GOLD PLATE ON CONTACT AND 75 MICRO INCHES MIN TIN/LEAD PLATE ON SOLDER TAIL BOTH OVER 50 MICRO INCHES MIN NICKEL OVERALL.
- DIM AT THE CENTRE OF THE SHROUDED WALL SHALL BE 5.9MM MIN. THIS SPEC IS VALID FOR ALL CKT SIZE.
- MATERIAL:
  - PBT, UL94V-0, COLOUR BLACK
  - HSG: 0.64MM SQ. PIN PHOSPHOR BRONZE.

QUALITY SYMBOLS	GENERAL TOLERANCES (UNLESS SPECIFIED)	DIMENSION STYLE	SCALE	DESIGN UNITS	THIRD ANGLE PROJECTION
$\blacktriangle=0$ $\triangle=0$	4 PLACES $\pm$ --- 3 PLACES $\pm$ --- 2 PLACES $\pm$ 0.20 1 PLACE $\pm$ --- ANGULAR $\pm$ 3° DRAFT WHERE APPLICABLE MUST REMAIN WITHIN DIMENSIONS	MM ONLY DRAWN BY: JENNIFER CHECKED BY: RWONG APPROVED BY: ALANB	NTS TITLE: C-GRID, SHROUDED HEADER (SLOTTED W/O STANDOFFS)	METRIC	
REVISION C DATE: 2006/12/07 DRAWN: 01A0 CHECKED: BOKOK APPR: PTLIM 2006/02/13	DOCUMENT NO. SDA-70246-*20-25,39-41 SHEET NO. 1 OF 2	DIMENSION STYLE: MM ONLY DATE: 1987/09/18 DATE: 1987/09/18 DATE: 1987/09/18	MOLEX INCORPORATED	MOLEX INCORPORATED	MOLEX INCORPORATED

10	9	8	7	6	5	4	3	2	1
PART NUMBER	VOID CKT SIZE	DIM A	DIM B	DIM C	DIM D				
70246-08**	08	7.62	14.73	17.78	15.24				
70246-10**	10	10.16	17.27	20.32	17.78				
70246-12**	12	12.70	19.81	22.86	20.32				
70246-14**	14	15.24	22.35	25.40	22.86				
70246-16**	16	17.78	24.89	27.94	25.40				
70246-20**	20	22.86	29.97	33.02	30.48				
70246-24**	24	27.94	35.05	38.10	35.56				
70246-26**	26	30.48	37.59	40.64	38.10				
70246-30**	30	35.56	42.67	45.72	43.18				
70246-34**	34	40.64	47.75	50.80	48.26				
70246-40**	40	48.26	55.37	58.42	55.88				
70246-44**	44	53.34	60.45	63.50	60.96				
70246-50**	50	60.96	68.07	71.12	68.58				
70246-56**	56	68.58	75.69	78.74	76.20				
70246-60**	60	73.66	80.77	83.82	81.28				
70246-64**	64	78.74	85.85	88.90	86.36				
70246-72**	72	88.90	96.01	99.06	96.52				
70246-25**	26	30.48	37.59	40.64	38.10				

LEGEND:

A-70246 - \* \* \* \* \*

CKT SIZE  
PLATING OPT.  
SEE TABLE FOR DETAIL

PART NUMBER	PLATING OPTION (TIN/LEAD)	PART NUMBER	PLATING OPTION (TIN)
70246-**21	571A	70246-**01	571
70246-**22	574A	70246-**02	574
70246-**24	544A	70246-**04	544
70246-**20	573A	70246-**12	573

ADD PART NUMBER EC NO: S2006-0664 DRW:Y1L01A0 CHKD:BOKOK APP:PTLIM 2006/02/07	DESCRIPTION REV C	QUALITY SYMBOLS $\blacktriangle=0$ $\triangle=0$	GENERAL TOLERANCES (UNLESS SPECIFIED) 4 PLACES ± --- INCH 3 PLACES ± --- 2 PLACES ± 0.20 ± --- 1 PLACE ± --- ANGULAR ± 3 °	DRAFT WHERE APPLICABLE MUST REMAIN WITHIN DIMENSIONS	SEE TABLE SIZE A3	THIS DRAWING CONTAINS INFORMATION THAT IS PROPRIETARY TO MOLEX INCORPORATED AND SHOULD NOT BE USED WITHOUT WRITTEN PERMISSION
ADD PART NUMBER EC NO: S2006-0664 DRW:Y1L01A0 CHKD:BOKOK APP:PTLIM 2006/02/07		$\blacktriangle=0$ $\triangle=0$	4 PLACES ± --- INCH 3 PLACES ± --- 2 PLACES ± 0.20 ± --- 1 PLACE ± --- ANGULAR ± 3 °	DRAFT WHERE APPLICABLE MUST REMAIN WITHIN DIMENSIONS	SEE TABLE SIZE A3	THIS DRAWING CONTAINS INFORMATION THAT IS PROPRIETARY TO MOLEX INCORPORATED AND SHOULD NOT BE USED WITHOUT WRITTEN PERMISSION

SCALE	NTS	DESIGN UNITS	METRIC	THIRD ANGLE PROJECTION
TITLE	C-GRID, SHROUDED HEADER (SLOTTED W/O STANDOFFS)			
DIMENSION STYLE	MM ONLY	DRAWN BY	JENNIFER	DATE
		CHECKED BY	FWONG	DATE
		APPROVED BY	ALANB	DATE
		MATERIAL NO.	MOLEX INCORPORATED	
		DOCUMENT NO.	SDA-70246-**20-25,39-41	
		SHEET NO.	2 OF 2	