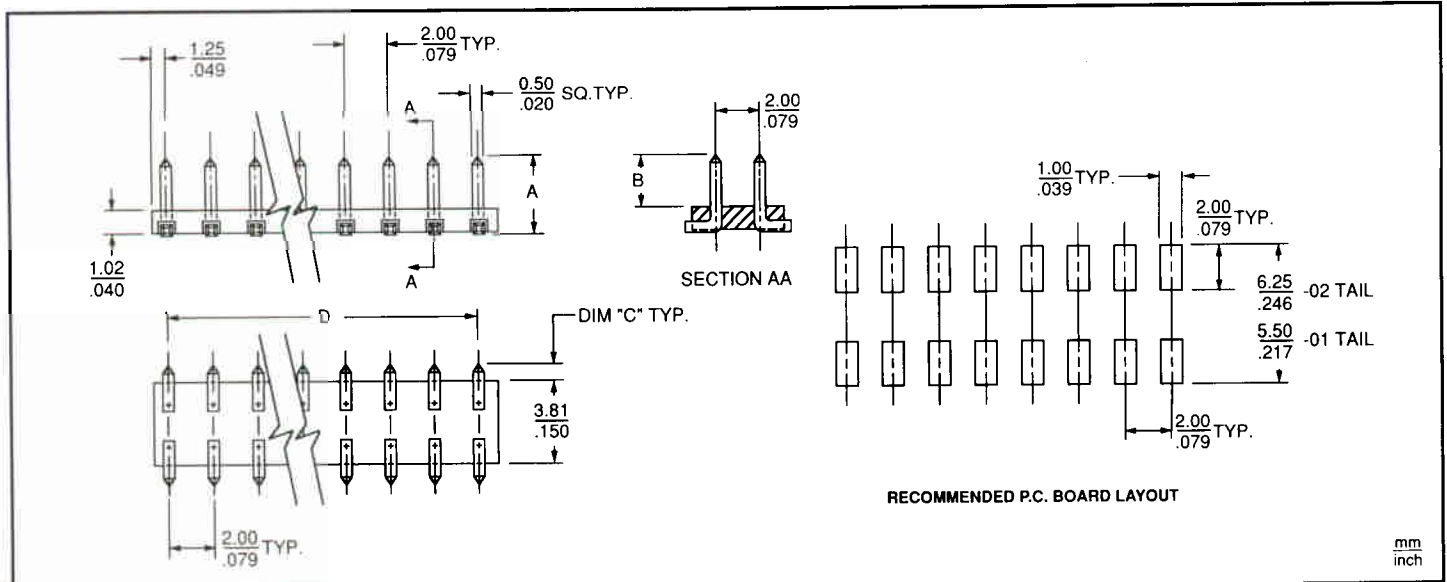


2 mm Pin Header, Unshrouded, Ultra Low Profile, SMT

0.5 mm (.020") Square, Dual Row
2 mm (.079") centers

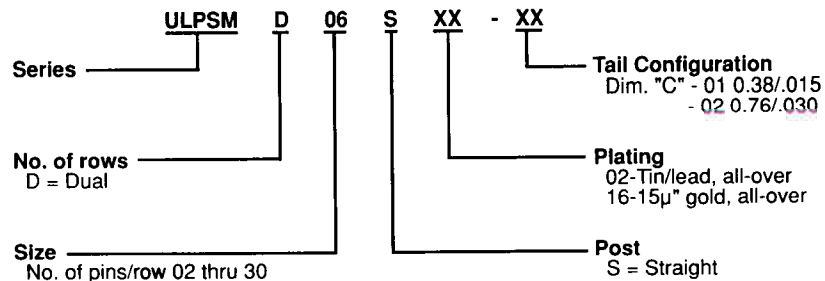


3

ULPSM SERIES

Part Number	O/A Height A	Post/Interface B
ULPSMDXXS33-M02	.152/3.91	.108/2.74
ULPSMDXXS33-M03	.189/4.80	.144/3.66
ULPSMDXXS33-M04	.180/4.57	.135/3.43

Part Number Description



EXAMPLE: ULPSMD06S02-01

DESCRIPTION: A ULPSM series dual row pin header with 6 pins in each row, 01 tail, tin plated all over.

SPECIFICATIONS: • Housing Material: High temperature thermoplastic, UL flammability rating 94 V-O. Color, natural.
• Pin Material: Phosphor bronze.

NOTES: 1. D=(No. of Spaces) X .079
2. For product specifications see specification page at the end of this section.
3. Cut parts sold in 32 pins maximum.

Consult factory for other plating, material options and pin lengths.