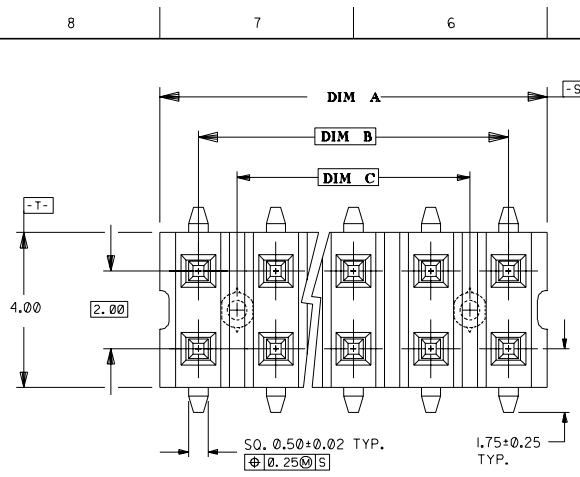
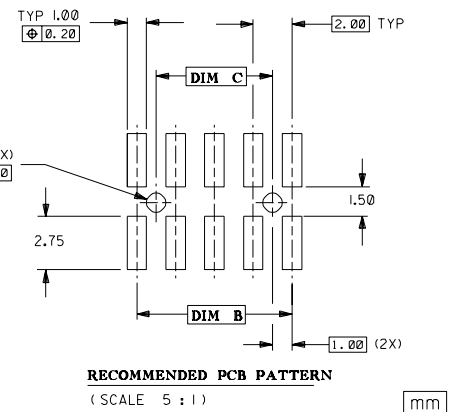
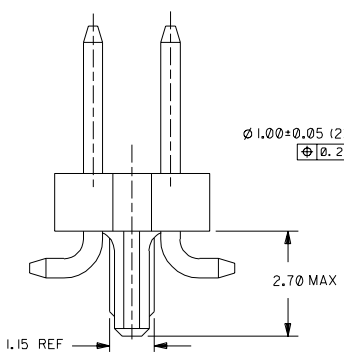
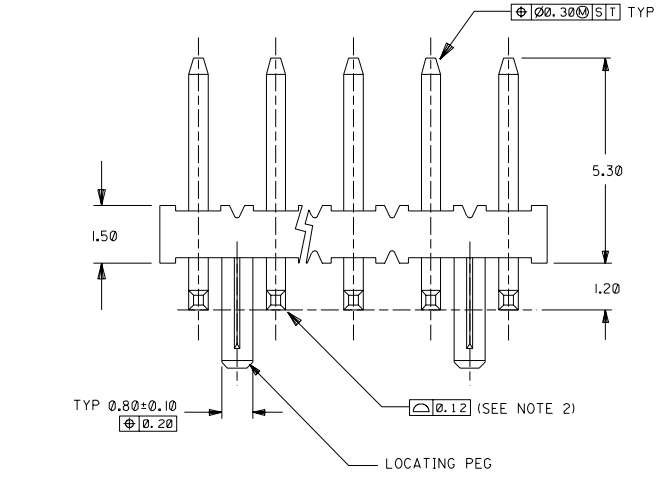


DWG. NO. SD_87267-50
 CAD FILE 58726750.DCN



- NOTES:**
- PLATING FINISH :
 - Ø - 0.38um/15u" MIN. GOLD IN CONTACT AREA
 1.90um/75u" MIN. TIN/LEAD
 IN SOLDER TAIL AREA BOTH OVER
 1.27um/50u" MIN. NICKEL OVERALL
 - I - 0.76um/30u" MIN. GOLD IN CONTACT AREA
 1.90um/75u" MIN. TIN/LEAD
 IN SOLDER TAIL AREA BOTH OVER
 1.27um/50u" MIN. NICKEL OVERALL
 - COPLANARITY IS TO BE MEASURED BY RESTING THE SOLDER TAIL ON A GAUGE SURFACE.
 - PRODUCT SPECIFICATION PS-87049 APPLIES.
 - RECOMMENDED PC BOARD THICKNESS IS 1.60 ± 0.10mm.

PART NO.	CKT SIZE	DIM A	DIM B	DIM C
		MM	MM	MM
87267 - 085•	8	7.90	6.00	4.00
87267 - 105•	10	9.90	8.00	6.00
87267 - 125•	12	11.90	10.00	8.00
87267 - 145•	14	13.90	12.00	10.00
87267 - 165•	16	15.90	14.00	12.00
87267 - 185•	18	17.90	16.00	14.00
87267 - 205•	20	19.90	18.00	16.00
87267 - 225•	22	21.90	20.00	18.00
87267 - 245•	24	23.90	22.00	20.00
87267 - 265•	26	25.90	24.00	22.00
87267 - 285•	28	27.90	26.00	24.00
87267 - 305•	30	29.90	28.00	26.00
87267 - 325•	32	31.90	30.00	28.00
87267 - 345•	34	33.90	32.00	30.00
87267 - 365•	36	35.90	34.00	32.00
87267 - 385•	38	37.90	36.00	34.00
87267 - 405•	40	39.90	38.00	36.00
87267 - 425•	42	41.90	40.00	38.00
87267 - 445•	44	43.90	42.00	40.00
87267 - 465•	46	45.90	44.00	42.00
87267 - 485•	48	47.90	46.00	44.00
87267 - 505•	50	49.90	48.00	46.00



PART NUMBER LEGEND

87267 - ** 5 •
 CKT SIZE PLATING
 Ø (SEE NOTE 1)

C4	CHG COPLANAR FROM 0.15 TO 0.12. (ECN* 51999-0469)	SEE	990604	MATERIAL : HOUSING : HIGH TEMP. NYLON, 94V-0 COLOR - BLACK PIN : 0.5MM SQ. PHOSPHOR BRONZE 50	MOLEX SINGAPORE PTE LTD SHEET 1 OF 1
C3	CHG 1.15±0.10 TO 1.15 REF (B4)	S70290 SEE	961212		
C2	REVISED PER ECN*	S40411 JACK	930709	FINISH : SEE NOTE 1	GENERAL TOLERANCES ± 0.20/008 DWC NO. SD 87267-50 REV C4
C1	REVISED PER ECN*	S30411 JACK	930224		
C	REVISED PER ECN*	S30046 JACK	920610	DRAWN BY MAX LAI 920323	TITLE : "MILLI-GRID" 2mm DUAL ROW SMT HEADER (WITH PEG)
B	RTM PER ECN*	S2523 MAX	920506		
A	REL TO TOOLING PER ECN*	S2456 MAX	920323	CHK'D BY G.W. ANG 920324	SCALE 10 : 1
LTR	REVISION RECORD	ECN	DR CHK	DATE	

THIS DRAWING CONTAINS INFORMATION THAT IS PROPRIETARY TO MOLEX (S) PTE LTD AND SHOULD NOT BE USED WITHOUT WRITTEN PERMISSION

DO NOT SCALE DRAWING