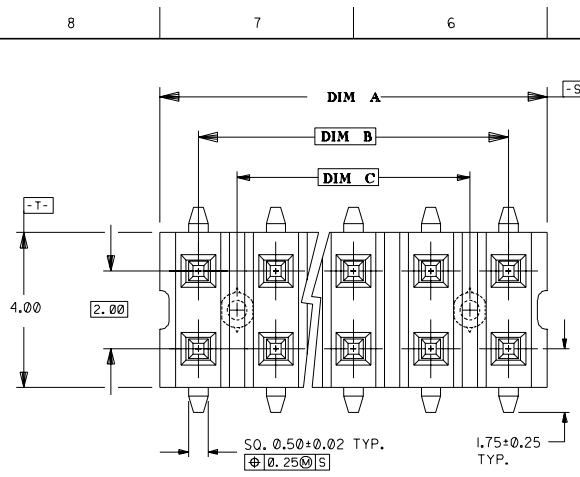
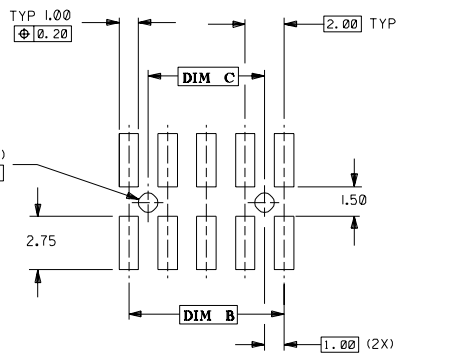
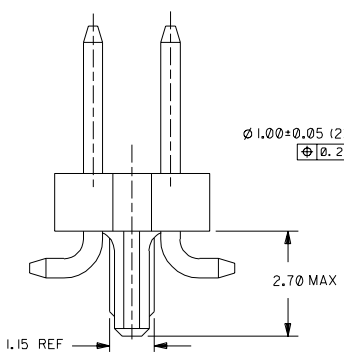
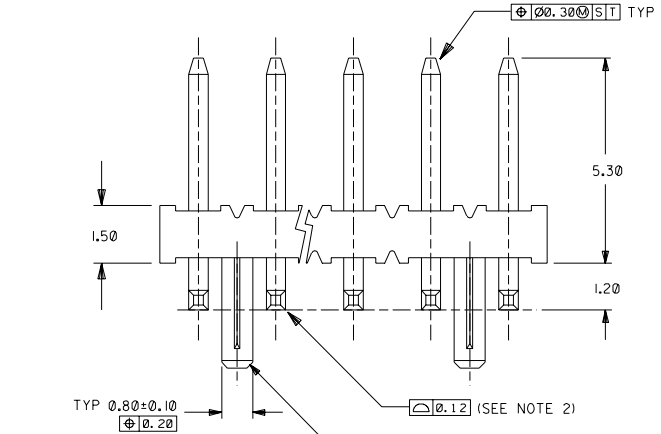


DWG. NO. SD\_87267-50  
 CAD FILE S8726750.DCN



- NOTES:**
- PLATING FINISH :
    - Ø - 0.38um/15u" MIN. GOLD IN CONTACT AREA  
1.90um/75u" MIN. TIN/LEAD  
IN SOLDER TAIL AREA BOTH OVER  
1.27um/50u" MIN. NICKEL OVERALL
    - I - 0.76um/30u" MIN. GOLD IN CONTACT AREA  
1.90um/75u" MIN. TIN/LEAD  
IN SOLDER TAIL AREA BOTH OVER  
1.27um/50u" MIN. NICKEL OVERALL
  - COPLANARITY IS TO BE MEASURED BY RESTING THE SOLDER TAIL ON A GAUGE SURFACE.
  - PRODUCT SPECIFICATION PS-87049 APPLIES.
  - RECOMMENDED PC BOARD THICKNESS IS 1.60 ± 0.10mm.

PART NO.	CKT SIZE	DIM A	DIM B	DIM C
		MM	MM	MM
87267 - 085•	8	7.90	6.00	4.00
87267 - 105•	10	9.90	8.00	6.00
87267 - 125•	12	11.90	10.00	8.00
87267 - 145•	14	13.90	12.00	10.00
87267 - 165•	16	15.90	14.00	12.00
87267 - 185•	18	17.90	16.00	14.00
87267 - 205•	20	19.90	18.00	16.00
87267 - 225•	22	21.90	20.00	18.00
87267 - 245•	24	23.90	22.00	20.00
87267 - 265•	26	25.90	24.00	22.00
87267 - 285•	28	27.90	26.00	24.00
87267 - 305•	30	29.90	28.00	26.00
87267 - 325•	32	31.90	30.00	28.00
87267 - 345•	34	33.90	32.00	30.00
87267 - 365•	36	35.90	34.00	32.00
87267 - 385•	38	37.90	36.00	34.00
87267 - 405•	40	39.90	38.00	36.00
87267 - 425•	42	41.90	40.00	38.00
87267 - 445•	44	43.90	42.00	40.00
87267 - 465•	46	45.90	44.00	42.00
87267 - 485•	48	47.90	46.00	44.00
87267 - 505•	50	49.90	48.00	46.00



**RECOMMENDED PCB PATTERN**  
(SCALE 5 : 1)

**PART NUMBER LEGEND**

87267 - \*\* 5 •  
 CKT SIZE      PLATING  
 Ø (SEE NOTE 1)

C4	CHG COPLANAR FROM Ø.15 TO Ø.12. (ECN# S1999-0469)	SEE	990604	MATERIAL : HOUSING : HIGH TEMP. NYLON, 94V-0 COLOR - BLACK PIN : 0.5MM SQ. PHOSPHOR BRONZE 50	<b>MOLEX SINGAPORE PTE LTD</b> SHEET 1 OF 1
C3	CHG L15 TO L15 REF (B4)	S70290	961212		
C2	REVISED PER ECN*	S40411	930709	FINISH : SEE NOTE 1	GENERAL TOLERANCES : Ø.20/.008 DWG. NO. SD 87267-50 REV C4
C1	REVISED PER ECN*	S30411	930224		
C	REVISED PER ECN*	S30046	920610	DRAWN BY MAX LAI 920323	TITLE : "MILLI-GRID" 2mm DUAL ROW SMT HEADER (WITH PEG)
B	RTM PER ECN*	S2523	920506		
A	REL TO TOOLING PER ECN*	S2456	920323	CHK'D BY G.W. ANG 920324	SCALE 10 : 1
LTR	REVISION RECORD	ECN	DR CHK	DATE	

**REVISE ONLY ON CAD SYSTEM**

THIS DRAWING CONTAINS INFORMATION THAT IS PROPRIETARY TO MOLEX (S) PTE LTD AND SHOULD NOT BE USED WITHOUT WRITTEN PERMISSION

DO NOT SCALE DRAWING