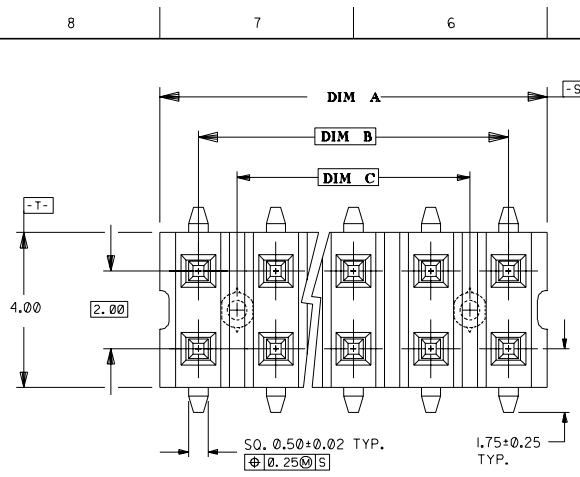
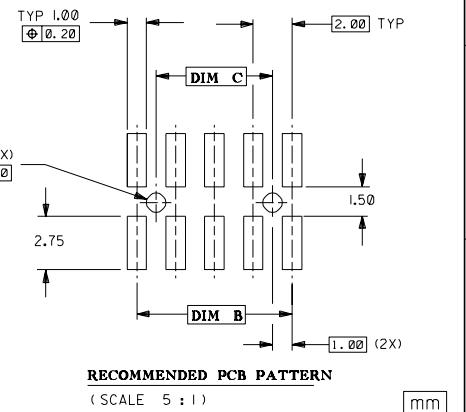
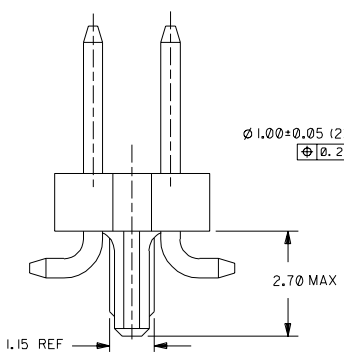
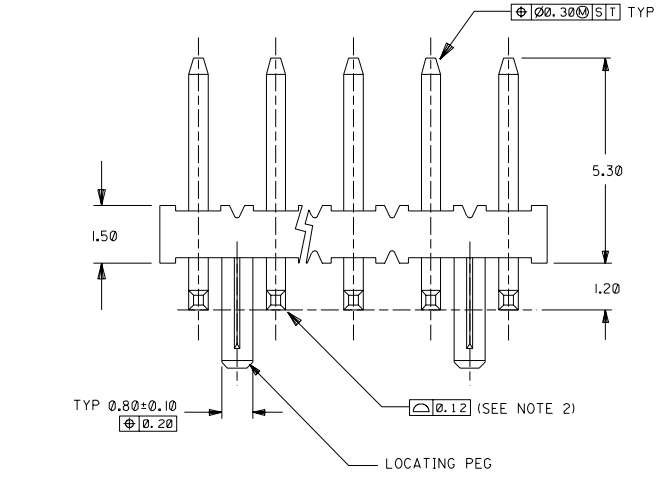


DWG. NO. SD_87267-50
 CAD FILE 58726750.DCN



- NOTES:**
- PLATING FINISH :
 - Ø - 0.38um/15u" MIN. GOLD IN CONTACT AREA
 1.90um/75u" MIN. TIN/LEAD
 IN SOLDER TAIL AREA BOTH OVER
 1.27um/50u" MIN. NICKEL OVERALL
 - I - 0.76um/30u" MIN. GOLD IN CONTACT AREA
 1.90um/75u" MIN. TIN/LEAD
 IN SOLDER TAIL AREA BOTH OVER
 1.27um/50u" MIN. NICKEL OVERALL
 - COPLANARITY IS TO BE MEASURED BY RESTING THE SOLDER TAIL ON A GAUGE SURFACE.
 - PRODUCT SPECIFICATION PS-87049 APPLIES.
 - RECOMMENDED PC BOARD THICKNESS IS 1.60 ± 0.10mm.

PART NO.	CKT SIZE	DIM A	DIM B	DIM C
		MM	MM	MM
87267 - 085•	8	7.90	6.00	4.00
87267 - 105•	10	9.90	8.00	6.00
87267 - 125•	12	11.90	10.00	8.00
87267 - 145•	14	13.90	12.00	10.00
87267 - 165•	16	15.90	14.00	12.00
87267 - 185•	18	17.90	16.00	14.00
87267 - 205•	20	19.90	18.00	16.00
87267 - 225•	22	21.90	20.00	18.00
87267 - 245•	24	23.90	22.00	20.00
87267 - 265•	26	25.90	24.00	22.00
87267 - 285•	28	27.90	26.00	24.00
87267 - 305•	30	29.90	28.00	26.00
87267 - 325•	32	31.90	30.00	28.00
87267 - 345•	34	33.90	32.00	30.00
87267 - 365•	36	35.90	34.00	32.00
87267 - 385•	38	37.90	36.00	34.00
87267 - 405•	40	39.90	38.00	36.00
87267 - 425•	42	41.90	40.00	38.00
87267 - 445•	44	43.90	42.00	40.00
87267 - 465•	46	45.90	44.00	42.00
87267 - 485•	48	47.90	46.00	44.00
87267 - 505•	50	49.90	48.00	46.00



PART NUMBER LEGEND

87267 - ** 5 •
 CKT SIZE PLATING
 Ø (SEE NOTE 1)

C4	CHG COPLANAR FROM 0.15 TO 0.12. (ECN* S1999-0469)	SEE	990604	MATERIAL : HOUSING : HIGH TEMP. NYLON, 94V-0 COLOR - BLACK PIN : 0.5MM SQ. PHOSPHOR BRONZE 50	MOLEX SINGAPORE PTE LTD SHEET 1 OF 1	
C3	CHG 1.15±0.10 TO 1.15 REF (B4)	S70290	SEE			961212
C2	REVISED PER ECN*	S40411	JACK			930709
C1	REVISED PER ECN*	S30411	WDRG			930224
C	REVISED PER ECN*	S30046	JACK	920610	FINISH : SEE NOTE 1	
B	RTM PER ECN*	S2523	MAX	920506		
A	REL TO TOOLING PER ECN*	S2456	MAX	920323	DRAWN BY MAX LAI 920323	
LTR	REVISION RECORD	ECN	DR	DATE		CHK'D BY G.W. ANG 920324
REVISE ONLY ON CAD SYSTEM				APPR'D BY R. WONG 920324	SCALE 10 : 1	TITLE : "MILLI-GRID" 2mm DUAL ROW SMT HEADER (WITH PEG)

THIS DRAWING CONTAINS INFORMATION THAT IS PROPRIETARY TO MOLEX (S) PTE LTD AND SHOULD NOT BE USED WITHOUT WRITTEN PERMISSION

DO NOT SCALE DRAWING