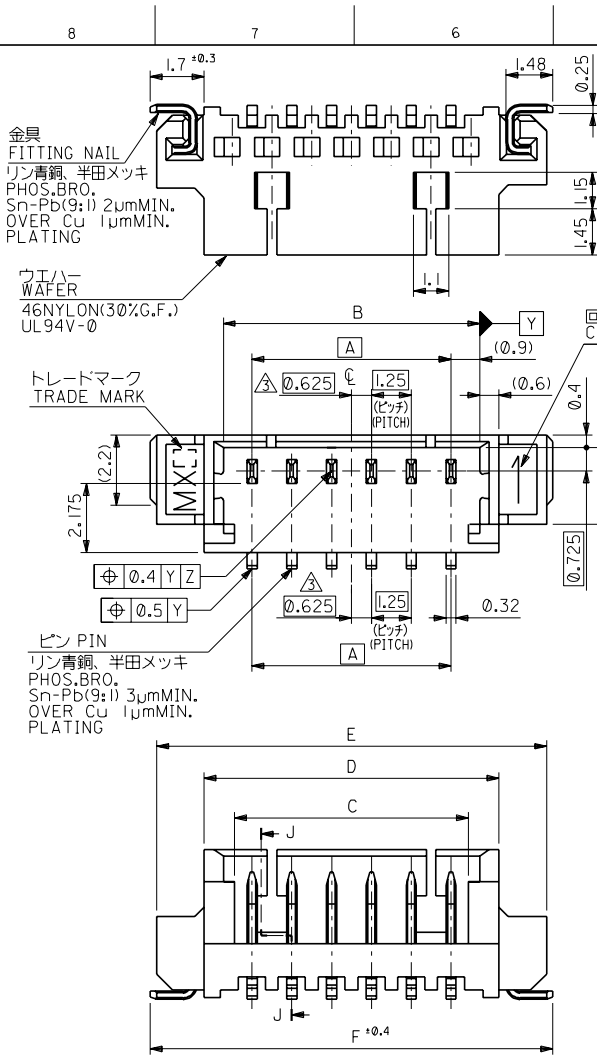
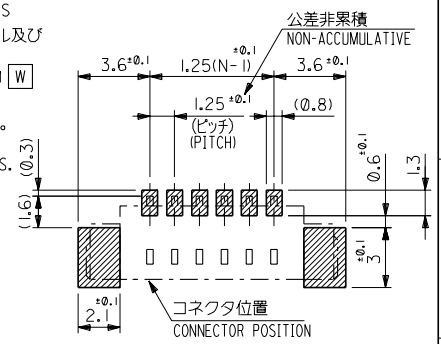


DWG. NO. SD-53398-10  
DIMENSIONS IN METRIC DO NOT SCALE DRAWING



**注記 NOTES**

1. 嵌合相手: 51021シリーズ MATE WITH : 51021 SERIES
- △ 水平面上においての、ウェハー底面 W とソルダーテール及びフィッティングネイル底面とのズレ量を示す。  
MISALIGNMENT OF SOLDER TAIL & FITTING NAIL FROM W
- △ 偶数極のみ適用。APPLY EVEN CIRCUIT PRODUCTS.
- △ ロック窓は、2、3極は1ヶ所、4極以上は2ヶ所とする。  
LOCKING WINDOW : ONE PLACE FOR 2&3 CKTS.  
TWO PLACES FOR MORE THAN 4 CKTS.



23.9	23.5	20.5	18.6	19.3	17.5	53398-1510	15
22.65	22.25	19.25	17.35	18.05	16.25	↑ -1410	14
21.4	21	18	16.1	16.8	15	-1310	13
20.15	19.75	16.75	14.85	15.55	13.75	-1210	12
18.9	18.5	15.5	13.6	14.3	12.5	-1110	11
17.65	17.25	14.25	12.35	13.05	11.25	-1010	10
16.4	16	13	11.1	11.8	10	-0910	9
15.15	14.75	11.75	9.85	10.55	8.75	-0810	8
13.9	13.5	10.5	8.6	9.3	7.5	-0710	7
12.65	12.25	9.25	7.35	8.05	6.25	-0610	6
11.4	11	8	6.1	6.8	5	-0510	5
10.15	9.75	6.75	4.85	5.55	3.75	-0410	4
8.9	8.5	5.5	3.6	4.3	2.5	↓ -0310	3
7.65	7.25	4.25	2.35	3.05	1.25	53398-0210	2
F	E	D	C	B	A	ENG. NO.	極数 NO. OF CKTS.

F	変更 REVISED	UC2000-0630	K.K.	M.F.	00/3/30	材料 MATERIAL 図中参照 SEE DRAWING	molex MOLEX-JAPAN CO.,LTD. 日本モレックス株式会社
E	変更 REVISED	UC8000-080	T.Y.	M.F.	97/7/6		
D	変更 REVISED	UC8030	H.H.	M.F.	93/10/13		
C	変更 REVISED	UC8753	K.Y.	H.H.	93/12/29		
B	変更 REVISED	UC8600	K.Y.	H.H.	93/6/18	仕上り FINISH	適用電線範囲 WIRE RANGE
A	変更 REVISED	UC8230	K.Y.	H.H.	93/3/12	被覆外径 INS. RANGE	適用電線範囲 WIRE RANGE
φ	新規作成 RELEASED	UC8942	K.Y.	H.H.	92/10/12	DRAWN BY 92/10/12	CHK'D BY 00/3/30
TR	変更内容 REVISION RECORD	DR.	DATE	DATE	DATE	APP'D BY 00/3/30	尺度 SCALE

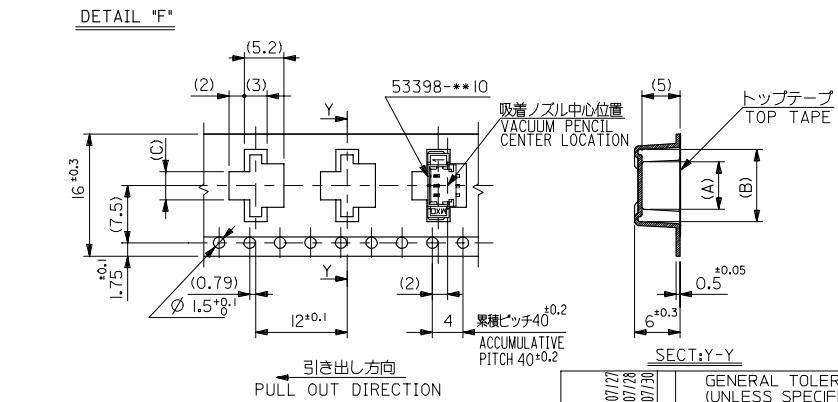
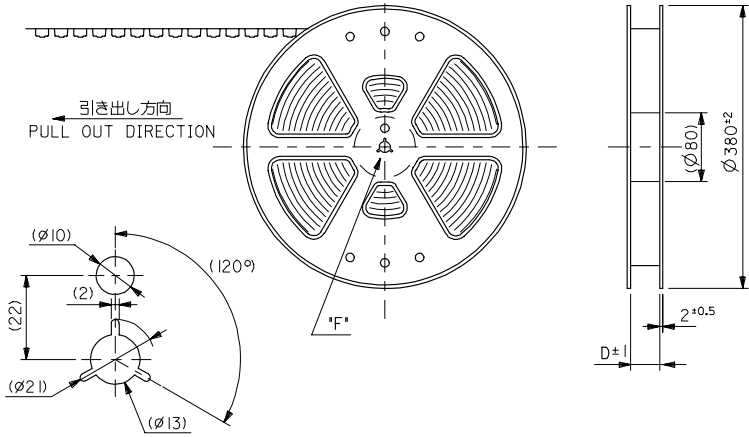
角度 ANGLE	±3°
30以上 OVER	±0.3
10以上 30 UNDER	±0.25
10 UNDER	±0.2
一般公差 GENERAL TOLERANCES	

REVISION ONLY ON CAD SYSTEM  
TITLE 名称  
1.25 WIRE TO BOARD CONN.  
WAFER ASS'Y FOR SMT (ST.)

DWG. NO. SD-53398-10  
REV F

THIS DRAWING CONTAINS INFORMATION THAT IS PROPRIETARY TO MOLEX/JAPAN AND SHOULD NOT BE USED WITHOUT WRITTEN PERMISSION  
本図面は日本モレックス(株)の所有する情報を含むもので、当社の許可なく複製を禁止する。  
EN-01C(032)MXJ-32

10 9 8 7 6 5 4 3 2 1



NOTES

- 梱包数量: 1000個/リール  
NUMBER OF CONNECTOR: 1000PCS/REEL
- リードテープ長さ  
LEAD TAPE LENGTH
- トップテープの剥離強度: 0.6±0.35N(60±35gf) (剥離方向は下図参照)  
PEELING OFF FORCE OF TOP TAPE: 0.6±0.35N(60±35gf)  
(PEELING DIRECTION IS SHOWN IN FOLLOWING FIG.)  
 <剥離速度: 300mm/min (参考)>  
PEELING SPEED: 300mm/min. (REFERENCE)
- 53398-\*\*10 の詳細寸法については図面 SD-53398-\*\*10 を参照下さい。  
RE DETAILED DIMENSIONS, SEE SD-53398-\*\*10.
- 材料 (MATERIAL)  
キャリアテープ (CARRIER TAPE): ポリプロピレン (POLYPROPYLENE)  
トップテープ (TOP TAPE): PET, PE, PEF  
リール (REEL): ポリスチレン (PS) <リサイクル材含む>  
POLYSTYRENE (PS) <RECYCLE MATERIAL CONTAINED>

16	17.4	3.7	9.5	5.8	53398-0390	3
キャリアテープ幅 CARRIER TAPE WIDTH	D	(C)	(B)	(A)	ENG. NO.	極数 CKT.
		2.45	8.25	4.55	53398-0290	2

REVISED REV	GENERAL TOLERANCES (UNLESS SPECIFIED)	DIMENSION STYLE MM ONLY	SCALE ---	DESIGN UNITS METRIC	THIRD ANGLE PROJECTION
	10 UNDER ±0.2	DRAWN BY K. TOJO	DATE '93/04/13	TITLE 1.25 W/B CONN. WAFER ASS'Y FOR SMT. EMBOSSED TAPE PACKAGE MOLEX INCORPORATED	
	10 OVER 30 UNDER ±0.25	CHECKED BY YAMAGUCHI	DATE '00/12/08		
	30 OVER ±0.3	APPROVED BY FUKUSHIM	DATE '00/12/08		
ANGULAR ±3 °	MATERIAL NO. SEE CHART	DOCUMENT NO. SD-53398-**90			
DRAFT WHERE APPLICABLE MUST REMAIN WITHIN DIMENSIONS		SIZE A3	THIS DRAWING CONTAINS INFORMATION THAT IS PROPRIETARY TO MOLEX INCORPORATED AND SHOULD NOT BE USED WITHOUT WRITTEN PERMISSION		

10 9 8 7 6 5 4 3 2 1

F

E

D

C

B

A

F

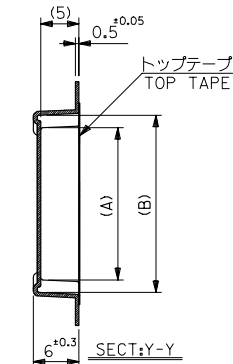
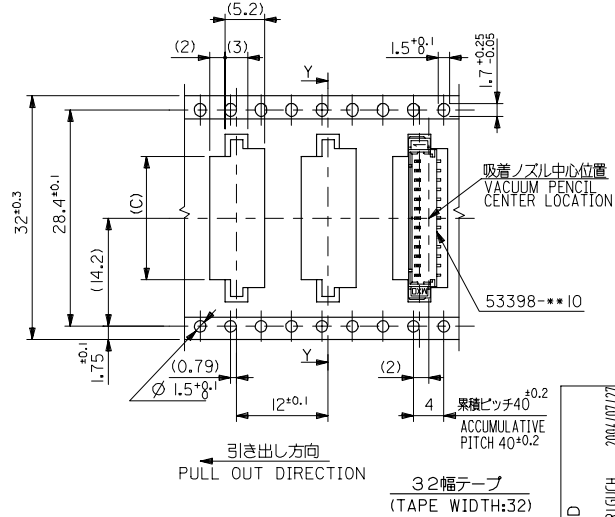
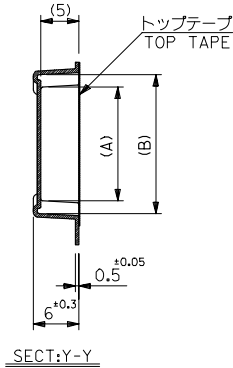
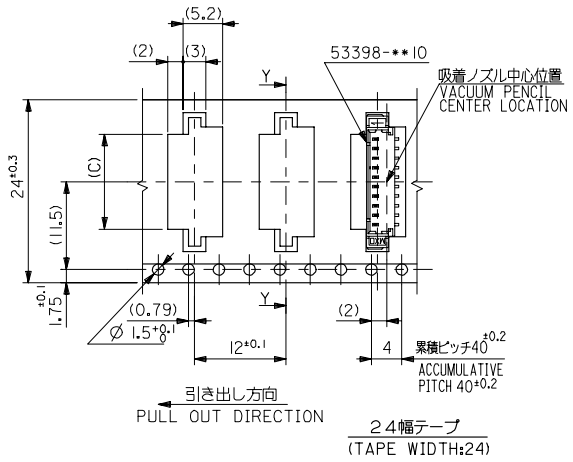
E

D

C

B

A



32	33.4	16.2	22	18.3	53398-1390	13
24	25.4	14.95	20.75	17.05	-1290	12
		13.7	19.5	15.8	-1190	11
		12.45	18.25	14.55	-1090	10
		11.2	17	13.3	-990	9
		9.95	15.75	12.05	-890	8
		8.7	14.5	10.8	-790	7
		7.45	13.25	9.55	-690	6
		6.2	12	8.3	-590	5
		4.95	10.75	7.05	53398-0490	4
		キャリアテープ幅 CARRIER TAPE WIDTH	D	(C)	(B)	(A)

REVISED REV. NO. DEC. NO. DRAWN BY CHKD BY APPR. BY DESCRIPTION	2004/07/27	2004/07/28	2004/07/30	GENERAL TOLERANCES (UNLESS SPECIFIED)		DIMENSION STYLE MM ONLY		SCALE ---	DESIGN UNITS METRIC	THIRD ANGLE PROJECTION	
	10 UNDER	±0.2		DRAWN BY K. TOJO	DATE '93/04/13	TITLE 1.25 W/B CONN. WAFER ASS'Y FOR SMT. EMBOSSED TAPE PACKAGE					
	10 OVER 30 UNDER	±0.25		CHECKED BY YAMAGUCHI	DATE '00/12/08	MATERIAL NO. SEE CHART					
	30 OVER	±0.3		APPROVED BY FUKUSHIM	DATE '00/12/08	DOCUMENT NO. SD-53398-***90					
	ANGULAR	±3 °		DRAFT WHERE APPLICABLE MUST REMAIN WITHIN DIMENSIONS		SIZE A3		THIS DRAWING CONTAINS INFORMATION THAT IS PROPRIETARY TO MOLEX INCORPORATED AND SHOULD NOT BE USED WITHOUT WRITTEN PERMISSION			

10 9 8 7 6 5 4 3 2 1

F

E

D

C

B

A

F

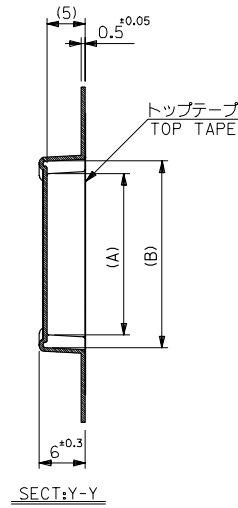
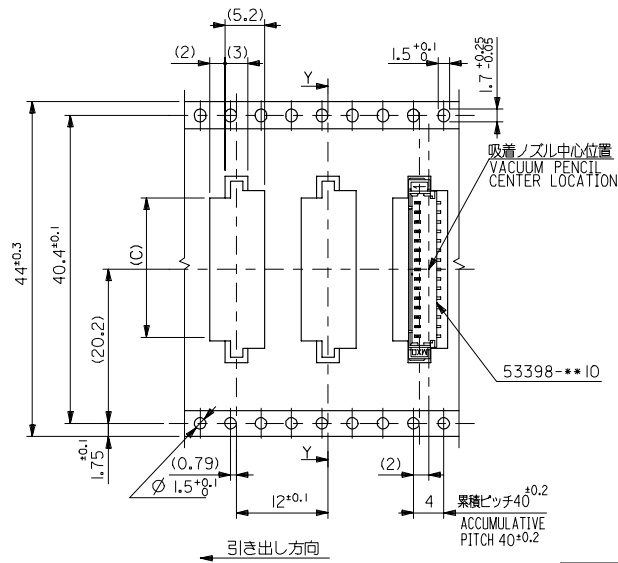
E

D

C

B

A



引き出し方向  
PULL OUT DIRECTION

44幅テープ  
(TAPE WIDTH:44)

44	45.4	18.7	24.5	20.8	53398-I590	I5
キャリアテープ幅 CARRIER TAPE WIDTH	D	(C)	(B)	(A)	ENG. NO.	極数 CKT.
		17.45	23.25	19.55	53398-I490	I4

REVISED REV	EC NO:	2004/07/27	GENERAL TOLERANCES (UNLESS SPECIFIED)		DIMENSION STYLE MM ONLY		SCALE	DESIGN UNITS	THIRD ANGLE PROJECTION		
	DRW:	CHIKDK-ASAKAW	10 UNDER	±0.2	DRAWN BY	DATE	---	METRIC	TITLE		
	CHK:	CHIKDK-ASAKAW	10 OVER 30 UNDER	±0.25	CHECKED BY	DATE	1.25 W/B CONN. WAFER ASS'Y FOR SMT. EMBOSSED TAPE PACKAGE				
	APP:	SI-CHIKAW	30 OVER	±0.3	APPROVED BY	DATE	MOLEX INCORPORATED				
DRAFT WHERE APPLICABLE MUST REMAIN WITHIN DIMENSIONS			ANGULAR	±3 °	MATERIAL NO.	SEE CHART	DOCUMENT NO.	SD-53398-**90			
SIZE						A3	THIS DRAWING CONTAINS INFORMATION THAT IS PROPRIETARY TO MOLEX INCORPORATED AND SHOULD NOT BE USED WITHOUT WRITTEN PERMISSION				

tb\_frame\_A3\_J\_ME\_S  
Rev. D 2004/04/02

EN-02JA(021)