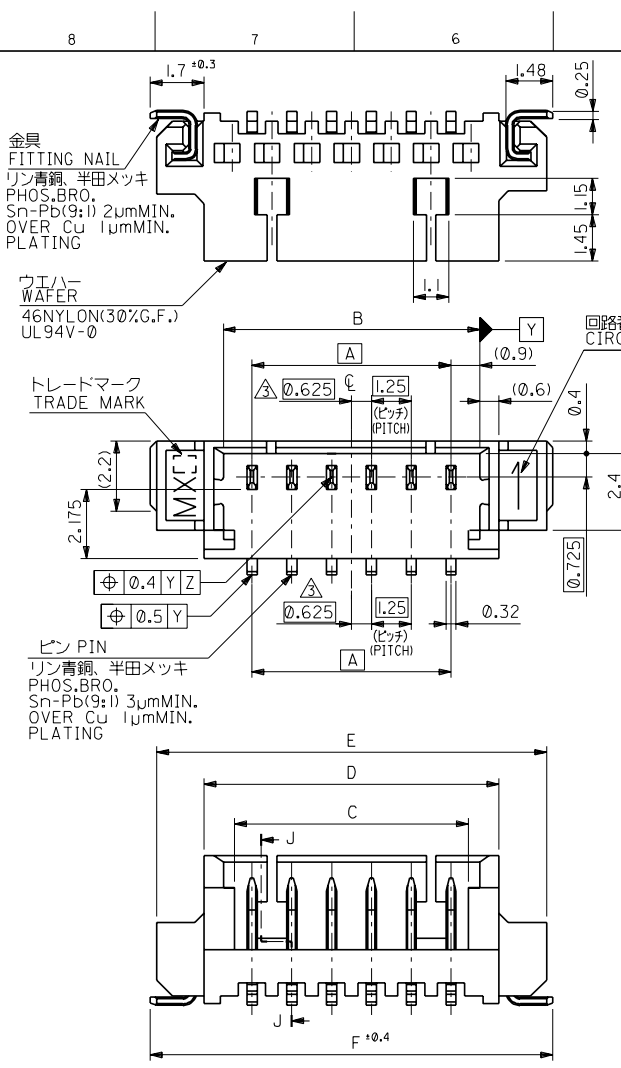
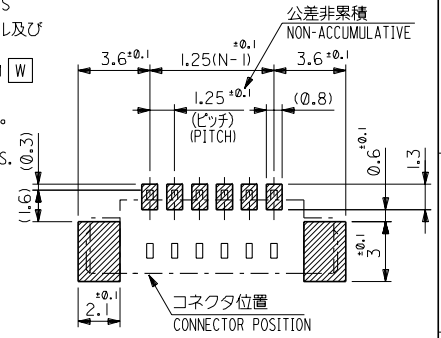


DWG. NO. SD-53398-10
DIMENSIONS IN METRIC DO NOT SCALE DRAWING



注記 NOTES

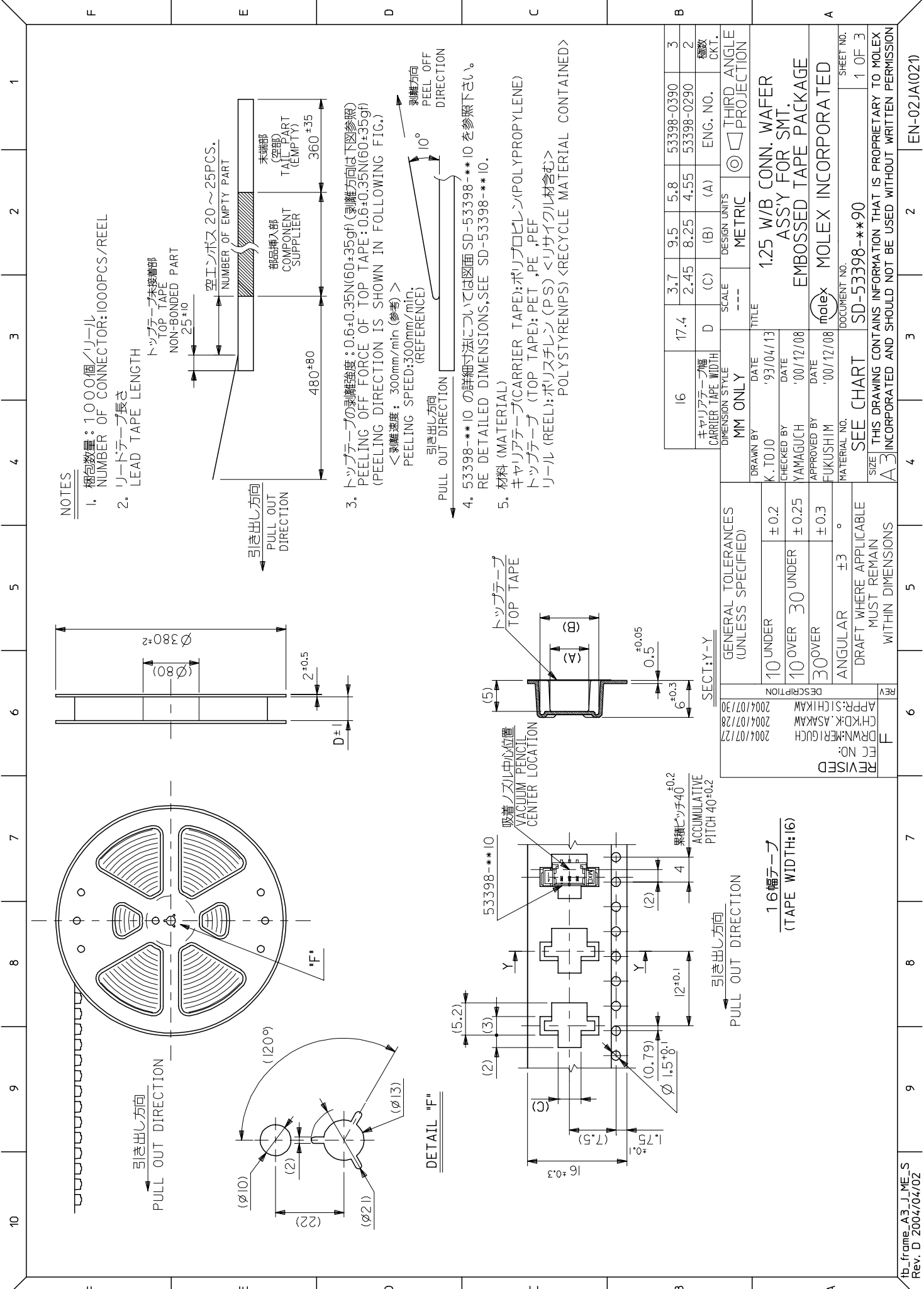
1. 嵌合相手: 51021シリーズ MATE WITH : 51021 SERIES
- △ 水平面上においての、ウェハー底面 W とソルダーテール及びフィッティングネイル底面とのズレ量を示す。
MISALIGNMENT OF SOLDER TAIL & FITTING NAIL FROM W
- △ 偶数極このみ適用。APPLY EVEN CIRCUIT PRODUCTS.
- △ ロック窓は、2、3極は1ヶ所、4極以上は2ヶ所とする。
LOCKING WINDOW : ONE PLACE FOR 2&3 CKTS.
TWO PLACES FOR MORE THAN 4 CKTS.



23.9	23.5	20.5	18.6	19.3	17.5	53398-1510	15
22.65	22.25	19.25	17.35	18.05	16.25	↑ -1410	14
21.4	21	18	16.1	16.8	15	-1310	13
20.15	19.75	16.75	14.85	15.55	13.75	-1210	12
18.9	18.5	15.5	13.6	14.3	12.5	-1110	11
17.65	17.25	14.25	12.35	13.05	11.25	-1010	10
16.4	16	13	11.1	11.8	10	-0910	9
15.15	14.75	11.75	9.85	10.55	8.75	-0810	8
13.9	13.5	10.5	8.6	9.3	7.5	-0710	7
12.65	12.25	9.25	7.35	8.05	6.25	-0610	6
11.4	11	8	6.1	6.8	5	-0510	5
10.15	9.75	6.75	4.85	5.55	3.75	-0410	4
8.9	8.5	5.5	3.6	4.3	2.5	↓ -0310	3
7.65	7.25	4.25	2.35	3.05	1.25	53398-0210	2
F	E	D	C	B	A	ENG. NO.	極数 NO. OF CKTS.

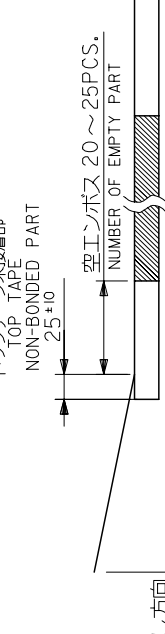
F	変更 REVISED	UC2000-0630	K.K.	M.F.	00/3/30	材料 MATERIAL 図中参照 SEE DRAWING	molex MOLEX-JAPAN CO.,LTD. 日本モレックス株式会社
E	変更 REVISED	UC800-080	T.Y.	M.F.	97/7/6		
D	変更 REVISED	UC830	H.H.	M.F.	93/10/13		
C	変更 REVISED	UC8753	K.Y.	H.H.	93/12/29		
B	変更 REVISED	UC8600	K.Y.	H.H.	93/6/18	仕上り FINISH	適用電線範囲 WIRE RANGE
A	変更 REVISED	UC8230	K.Y.	H.H.	93/3/12	被覆外径 INS. RANGE	適用電線範囲 WIRE RANGE
φ	新規作成 RELEASED	UC8421	K.Y.	H.H.	92/10/12	DRAWN BY 92/10/12	CHK'D BY 00/3/30
TR	変更内容 REVISION RECORD	DR.	DATE	DATE	DATE	APP'D BY 00/3/30	尺度 SCALE
一般公差 GENERAL TOLERANCES		DRAWN BY 92/10/12					
角度 ANGLE		CHK'D BY 00/3/30					
30°以上		K.T.OJO					
10°以上 未満		T.YAMAGUCHI					
30°未満		M.FUKUSHIMA					
10°未満		尺度					
未過		SCALE					
未下		DWG. NO.					
未下		SD-53398-10					
未下		REV					
未下		F					

THIS DRAWING CONTAINS INFORMATION THAT IS PROPRIETARY TO MOLEX/JAPAN AND SHOULD NOT BE USED WITHOUT WRITTEN PERMISSION
本図面は日本モレックス(株)の所有する情報を含むもので、当社の許可なく複製を禁止する。
EN-01C(032)MXJ-32

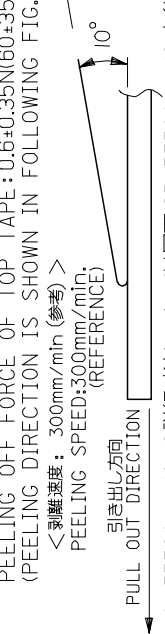


NOTES

1. 梱包数量: 1,000個/リール
NUMBER OF CONNECTOR: 1000PCS/REEL
2. リードテープ長さ
LEAD TAPE LENGTH



3. トップテープの剥離強度: 0.6±0.35N(60±35gf) (剥離方向は下図参照)
PEELING OFF FORCE OF TOP TAPE: 0.6±0.35N(60±35gf)
(PEELING DIRECTION IS SHOWN IN FOLLOWING FIG.)
<剥離速度: 300mm/min (参考)>
PEELING SPEED: 300mm/min (REFERENCE)



4. 53398-**10 の詳細寸法については図面SD-53398-**10 を参照下さい。
RE DETAILED DIMENSIONS, SEE SD-53398-**10.

5. 材料 (MATERIAL)
キャリアテープ (CARRIER TAPE): ポリプロピレン (POLYPROPYLENE)
トップテープ (TOP TAPE): PET, PE, PEF
リール (REEL): ポリスチレン (PS) <リサイクル材含む>
POLYSTYRENE (PS) <RECYCLE MATERIAL CONTAINED>

キヤリアテープ幅 CARRIER TAPE WIDTH	D	(C)	(B)	(A)	ENG. NO.	機敏 CKT.
16	17.4	3.7	9.5	5.8	53398-0390	3
		2.45	8.25	4.55	53398-0290	2

DIMENSION STYLE		SCALE	DESIGN UNITS	THIRD ANGLE PROJECTION
MM ONLY	---	---	METRIC	◎

DRAWN BY	DATE	TITLE
K. TOJO	'93/04/13	1.25 W/B CONN. WAFER ASS'Y FOR SMT.

CHECKED BY	DATE	APPROVED BY	DATE
YAMAGUCHI	'00/12/08	FUKUSHIMI	'00/12/08

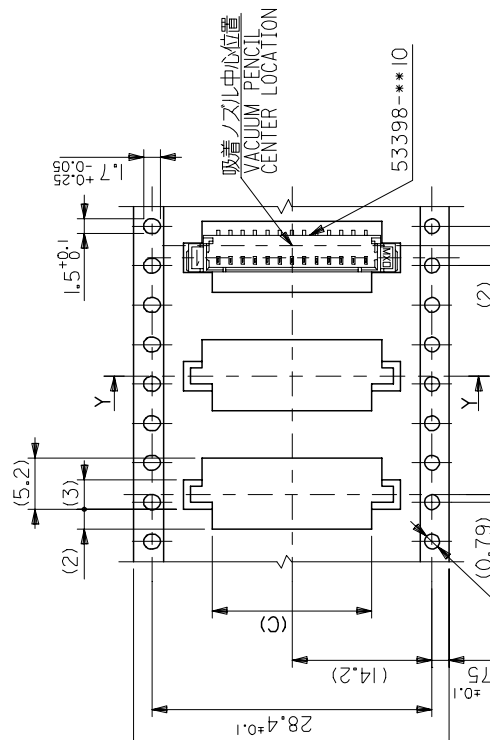
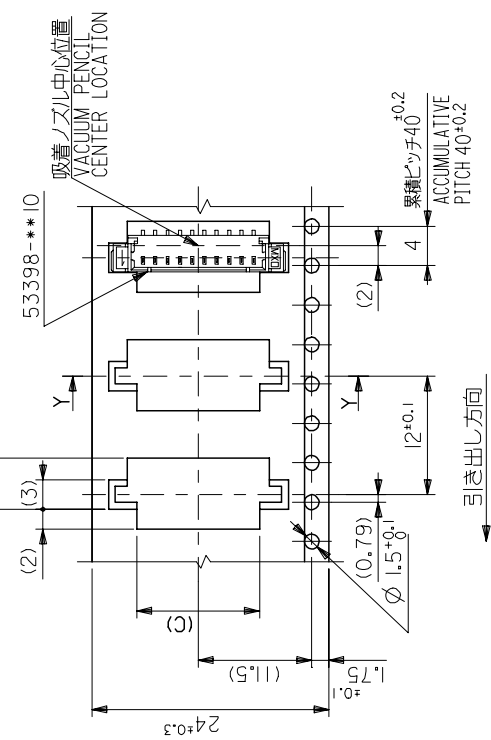
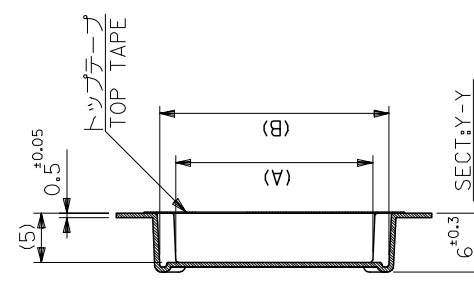
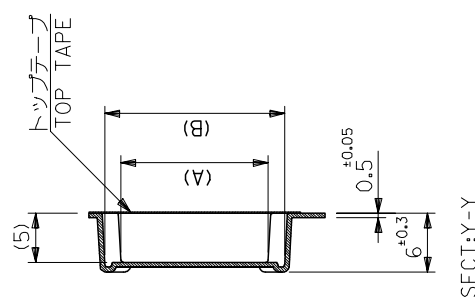
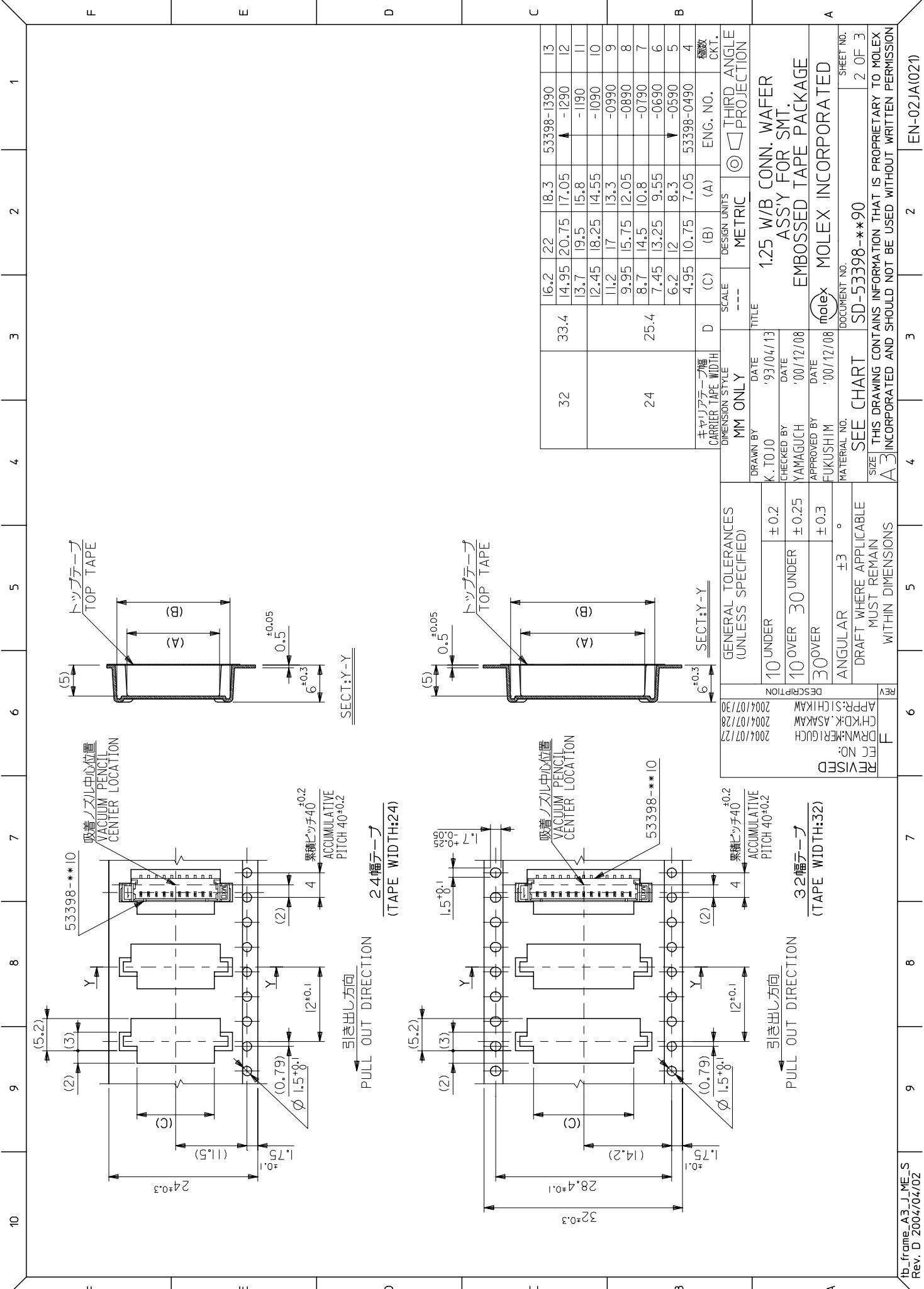
MATERIAL NO.	DOCUMENT NO.	SHEET NO.
SEE CHART	SD-53398-**90	1 OF 3

GENERAL TOLERANCES (UNLESS SPECIFIED)	
10 UNDER	±0.2
10 OVER	±0.25
30 OVER	±0.3
ANGULAR	±3°

DRAFT WHERE APPLICABLE
MUST REMAIN
WITHIN DIMENSIONS

REV	DESCRIPTION
F	REVISED
	EC NO. 2004/107/27
	DRWNG: KERRI GUCH
	CHKD: K. ASAKAWA
	APP: S. CHIKAWA
	2004/107/28

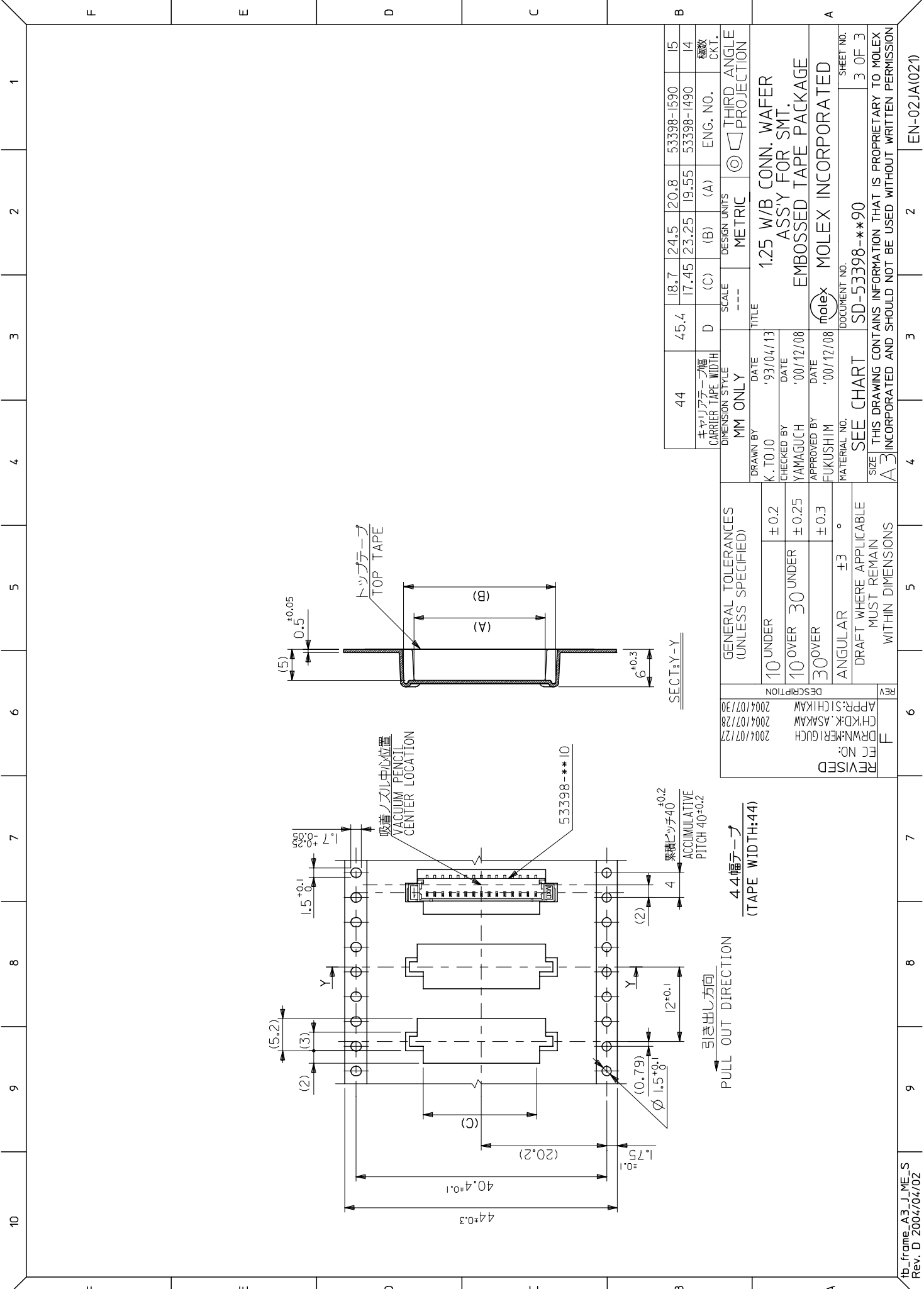
1.6mmテープ
(TAPE WIDTH: 16)



32	24	16.2	22	18.3	53398-1390	13
		14.95	20.75	17.05	-1290	12
		13.7	19.5	15.8	-1190	11
		12.45	18.25	14.55	-1090	10
		11.2	17	13.3	-0990	9
		9.95	15.75	12.05	-0890	8
		8.7	14.5	10.8	-0790	7
		7.45	13.25	9.55	-0690	6
		6.2	12	8.3	-0590	5
		4.95	10.75	7.05	53398-0490	4

キャリアテープ幅 CARRIER TAPE WIDTH	SCALE	DESIGN UNITS	THIRD ANGLE PROJECTION
MM ONLY	---	METRIC	☉
DRAWN BY K. TOJO	DATE '93/04/13	TITLE 1.25 W/B CONN. WAFER ASS'Y FOR SMT.	
CHECKED BY YAMAGUCHI	DATE '00/12/08	EMBOSSSED TAPE PACKAGE	
APPROVED BY FUKUSHIM	DATE '00/12/08	MOLEX INCORPORATED	
MATERIAL NO.	DOCUMENT NO.	SHEET NO.	
SEE CHART	SD-53398-**-90	2 OF 3	
SIZE THIS DRAWING CONTAINS INFORMATION THAT IS PROPRIETARY TO MOLEX A3 INCORPORATED AND SHOULD NOT BE USED WITHOUT WRITTEN PERMISSION			

GENERAL TOLERANCES (UNLESS SPECIFIED)	REVISION
10 UNDER ± 0.2	DESCRIPTION
10 OVER 30 UNDER ± 0.25	APPROVALS
30 OVER ± 0.3	CHKD: K. ASAKAWA
ANGULAR $\pm 3^\circ$	2004/107/28
DRAFT WHERE APPLICABLE MUST REMAIN WITHIN DIMENSIONS	DRWNG: Y. FUKUCHI
	2004/107/27
	REVISED
	FC NO.
	2004/107/27
	CHKD: K. ASAKAWA
	2004/107/28
	APPROVALS



44	45.4	18.7	24.5	20.8	53398-1590	15
キャリアテープ幅 CARRIER TAPE WIDTH	D	(C)	(B)	(A)	53398-1490	14
MM ONLY	SCALE	DESIGN UNITS		THIRD ANGLE	PROJECTION	
DRAWN BY	DATE	TITLE		1.25 W/B CONN. WAFER		
K. TOJO	'93/04/13	ASS'Y FOR SMT.		EMBOSSED TAPE PACKAGE		
CHECKED BY	DATE	DOCUMENT NO.		MOLEX INCORPORATED		
YAMAGUCHI	'00/12/08	SD-53398-**90		SHEET NO.		
APPROVED BY	DATE	SEE CHART		3 OF 3		
FUKUSHIM	'00/12/08	THIS DRAWING CONTAINS INFORMATION THAT IS PROPRIETARY TO MOLEX		INCORPORATED AND SHOULD NOT BE USED WITHOUT WRITTEN PERMISSION		
MATERIAL NO.	A3		EN-02JA(021)			

GENERAL TOLERANCES (UNLESS SPECIFIED)	10 UNDER	±0.2	
	10 OVER	30 UNDER	±0.25
	30 OVER	±0.3	
ANGULAR	±3	°	
DRAFT WHERE APPLICABLE MUST REMAIN WITHIN DIMENSIONS			

REV	DESCRIPTION
F	REVISED
	EC NO.
	DRWNG:MERI GUCH
	CHKD:K. ASAKAW
	APP:SI:CHIKAW
	2004/07/28
	2004/07/28
	2004/07/28