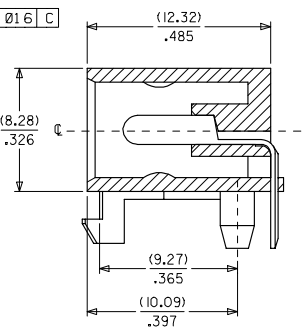
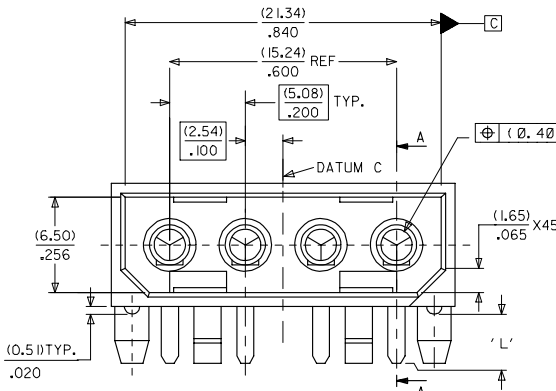
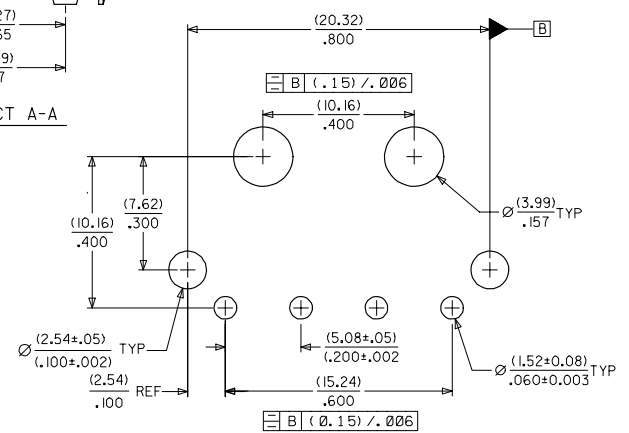
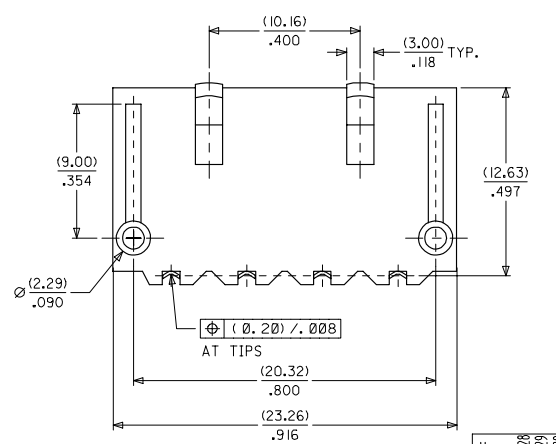


10 9 8 7 6 5 4 3 2 1



- NOTES:
- 1) MATERIAL  
HOUSING - NYLON, TYPE 6/6, 94V-2, COLOR - NATURAL  
TERMINAL - PHOSPHOR BRONZE  
PLATING - POSTPATE (0.00254) / .000100 MIN.  
TIN/LEAD OR TIN OVER (0.00127) / .000050 MIN.  
NICKEL OVERALL.
  - 2) PART INTENDED FOR USE WITH PLUG # 8981-4P AND TERMINAL # 8980-R\*
  - 3) PRODUCT SPEC 8981 APPLIES.



RECOMMENDED P.C. BOARD LAYOUT (TOL. +/- (.13) / .005)

MAT'L NO.	ENG. NO.	'L'	PLATING OPTION
A-8981-4R-1	15-24-4041	(3.56) .140	
AX-8981-4R-2		(2.19) / .100	TIN/LEAD
AX-8981-4R-3		(2.92) / .115	
A-8981-4R-1-LF	15-24-4441	(3.56) / .140	TIN

id\_frame\_A3\_P\_ME\_T  
Rev. D 2004/04/02

ADD ASSY P/N FOR LF  
EC NO. S2005-0209  
DRAWN BY: 2004/09/28  
CHKD: PTLM 2004/09/29  
APPR: SCLLN 2004/09/29

QUALITY SYMBOLS	GENERAL TOLERANCES (UNLESS SPECIFIED)	
	mm	INCH
▽=0	4 PLACES ± ---	± ---
▽=0	3 PLACES ± ---	± .008
	2 PLACES ± 0.20	± ---
	1 PLACE ± ---	± ---
	ANGULAR ± 3°	

DRAFT WHERE APPLICABLE MUST REMAIN WITHIN DIMENSIONS

DIMENSION STYLE	SCALE	DESIGN UNITS	THIRD ANGLE PROJECTION
MM/IN	NTS	INCH	
DRAWN BY: GRX IE	DATE: 2001/05/02	TITLE: SALES DRAWING HEADER, 4 CKTS RIGHT ANGLE MOUNT	
CHECKED BY: KCL ING	DATE: 2001/05/02		
APPROVED BY: SKTOH	DATE: 2001/05/03		
MATERIAL NO. SEE TABLE	DOCUMENT NO. SD-8981-4R1		
THIS DRAWING CONTAINS INFORMATION THAT IS PROPRIETARY TO MOLEX INCORPORATED AND SHOULD NOT BE USED WITHOUT WRITTEN PERMISSION			SHEET NO. 1 OF 1

9 8 7 6 5 4 3 2 1