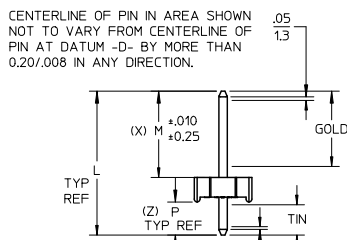
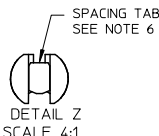
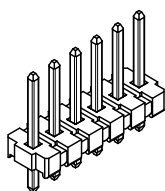
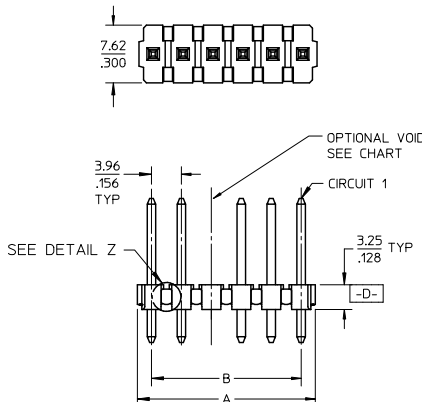


10 9 8 7 6 5 4 3 2 1



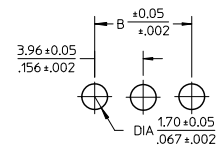
CENTERLINE OF PIN IN AREA SHOWN NOT TO VARY FROM CENTERLINE OF PIN AT DATUM -D- BY MORE THAN 0.20/.008 IN ANY DIRECTION.



| | B | A | CKT SIZE |
|--|-------------|---------------------------|----------|
| | 3.96/.156 | 6.78-7.87 / .267-.310 | 2 |
| | 7.92/.312 | 10.74-11.84 / .423-.466 | 3 |
| | 11.89/.468 | 14.71-15.80 / .579-.622 | 4 |
| | 15.85/.624 | 18.67-19.76 / .735-.778 | 5 |
| | 19.81/.780 | 22.63-23.72 / .891-.934 | 6 |
| | 23.77/.936 | 26.59-27.69 / 1.047-1.090 | 7 |
| | 27.74/1.092 | 30.56-31.65 / 1.203-1.246 | 8 |
| | 31.70/1.248 | 34.52-35.61 / 1.359-1.402 | 9 |
| | 35.66/1.404 | 38.48-39.57 / 1.515-1.558 | 10 |
| | 39.62/1.560 | 42.44-43.54 / 1.671-1.714 | 11 |
| | 43.59/1.716 | 46.41-47.50 / 1.827-1.870 | 12 |
| | 47.55/1.872 | 50.37-51.46 / 1.983-2.026 | 13 |
| | 51.51/2.028 | 54.33-55.42 / 2.139-2.182 | 14 |
| | 55.47/2.184 | 58.29-59.39 / 2.295-2.338 | 15 |
| | 59.44/2.340 | 62.26-63.35 / 2.451-2.494 | 16 |
| | 63.40/2.496 | 66.22-67.31 / 2.607-2.650 | 17 |
| | 67.36/2.652 | 70.18-71.27 / 2.763-2.806 | 18 |
| | 71.32/2.808 | 74.14-75.23 / 2.919-2.962 | 19 |
| | 75.29/2.964 | 78.11-79.20 / 3.075-3.118 | 20 |
| | 79.25/3.120 | 82.07-83.16 / 3.231-3.274 | 21 |
| | 83.21/3.276 | 86.03-87.12 / 3.387-3.430 | 22 |
| | 87.17/3.432 | 89.94-91.08 / 3.541-3.586 | 23 |
| | 91.14/3.588 | 93.85-95.00 / 3.695-3.740 | 24 |

- NOTES:
- MATERIAL: HEADER: GLASS FILLED POLYESTER, 94V-0, MOLDED BLACK.
 - FINISH:
 - (102) OVERALL TIN: 0.00508/.000200 MIN OVER COPPER
 - (222) OVERALL MATTE TIN: 0.00254/.000100 MIN OVER 0.00127/.000050 MIN NICKEL
 - (208) SELECT GOLD: 0.00038/.000015 MIN.
 - SELECT TIN: 0.00254/.000100 MIN.
 - OVERALL NICKEL UNDERPLATE: 0.00127/.000050 MIN.
 - (228) SELECT GOLD: 0.00076/.000030 MIN.
 - SELECT TIN: 0.00254/.000100 MIN.
 - OVERALL NICKEL UNDERPLATE: 0.00127/.000050 MIN.
 - (501) OVERALL GOLD: 0.00051/.000020 MIN OVER 0.00076/.000030 MIN NICKEL
 - THIS PART CONFORMS TO PRODUCT SPEC PS-08-50.
 - PACKAGING: SEE CHARTS.
 - SOLDERABILITY: SEE SMES 152.
 - PARTS ARE STACKABLE END TO END ON 3.96/.156 CENTERS. (SPACING TABS MUST BE REMOVED ON CIRCUIT SIZES 2 THRU 23 BEFORE PARTS ARE STACKABLE.)
 - THIS PART CONFORMS TO CLASS B REQUIREMENTS OF COSMETIC SPECIFICATION PS-45499-002.
 - PIN PUSH-OUT FORCE: PRIOR TO SOLDERING, A 3 LB MINIMUM FORCE (IN EITHER DIRECTION) SHALL BE REQUIRED TO PUSH THE PIN OUT OF THE HEADER.

A-41661- * N * * - *
 PACKAGING & OPTIONS NO. OF CKTS.
 TVOID CODE
 BLANK=NO VOIDS
 NO=CKT NO. VOIDED
 MULT. VOIDS START WITH #51
 PLATING CODE
 PIN DIMENSIONS



PCB LAYOUT: COMPONENT SIDE
 RECOMMENDED PCB THICKNESS:
 1.57±.18/.062±.007

| | | |
|----------------|--------|-----------|
| DRAWING FORMAT | SHEETS | REV LEVEL |
| GENERAL DOCS. | 2-* | BD1 |
| ANNOTATOR | 1 | |

| | | | | | | |
|---|-------------------|---|---|-------|--------------|--|
| ADD 41661-0642 IEC NO: UCP2010-1384 DRAWN/KPPER 2010/02/03 CHKD:SSOISEK 2010/02/09 APPR:FSMITH 2010/02/10 DESCRIPTION REV | QUALITY SYMBOLS | GENERAL TOLERANCES (UNLESS SPECIFIED) | DIMENSION STYLE | SCALE | DESIGN UNITS | THIRD ANGLE PROJECTION |
| | ∇=0 ∇=0 ∇=0 | mm INCH 4 PLACES ± --- ± --- 3 PLACES ± --- ± .010 2 PLACES ± 0.25 ± .014 1 PLACE ± 0.36 ± --- ANGULAR ± 1/2° | MM/IN DRAWN BY JSCHAFFER DATE 2004/03/04 CHECKED BY KSAMIEC DATE 2004/03/04 APPROVED BY MARGULIS DATE 2004/03/04 MATERIAL NO. SEE CHART SIZE B | 2:1 | INCH | TITLE KK .156 HEADER ASSEMBLY FLAT BREAKAWAY 2-24 CKTS MOLEX INCORPORATED DOCUMENT NO. SD-41661-001 SHEET NO. 1 OF * |
| DRAFT WHERE APPLICABLE MUST REMAIN WITHIN DIMENSIONS | | THIS DRAWING CONTAINS INFORMATION THAT IS PROPRIETARY TO MOLEX INCORPORATED AND SHOULD NOT BE USED WITHOUT WRITTEN PERMISSION | | | | |

| A-41661-ANA102-* | | | A-41661-ANA102-* | | | A-41661-BNA208-* | | | A-41661-BNA228-* | | |
|------------------|-------------|-------|------------------|-------------|-------|------------------|-------------|-------|------------------|-------------|-------|
| MATERIAL | ENGINEERING | VOIDS | MATERIAL | ENGINEERING | VOIDS | MATERIAL | ENGINEERING | VOIDS | MATERIAL | ENGINEERING | VOIDS |
| 26-48-1021 | -A2A102 | | 26-50-3092 | -A9A102-7 | 7 | 41661-0001 | -B02A208 | | 41661-0024 | -B02A228 | |
| 26-48-1031 | -A3A102 | | 26-50-3201 | -A20A102-3 | 3 | 41661-0002 | -B03A208 | | 41661-0025 | -B03A228 | |
| 26-48-1041 | -A4A102 | | 26-50-3164 | -A16A102-52 | 2, 15 | 41661-0003 | -B04A208 | | 41661-0026 | -B04A228 | |
| 26-48-1051 | -A5A102 | | 41661-2004 | -A6A102-4 | 4 | 41661-0004 | -B05A208 | | 41661-0027 | -B05A228 | |
| 26-48-1061 | -A6A102 | | 41661-2005 | -A4A102-51 | 2,3 | 41661-0005 | -B06A208 | | 41661-0028 | -B06A228 | |
| 26-48-1071 | -A7A102 | | 41661-2006 | -A5A102-3 | 3 | 41661-0006 | -B07A208 | | 41661-0029 | -B07A228 | |
| 26-48-1081 | -A8A102 | | 26-50-3039 | -A3A102-2 | 2 | 41661-0007 | -B08A208 | | 41661-0030 | -B08A228 | |
| 26-48-1091 | -A9A102 | | 26-50-3049 | -A4A102-2 | 2 | 41661-0008 | -B09A208 | | 41661-0031 | -B09A228 | |
| 26-48-1101 | -A10A102 | | 26-50-3059 | -A5A102-2 | 2 | 41661-0009 | -B10A208 | | 41661-0032 | -B10A228 | |
| 26-48-1111 | -A11A102 | | 26-50-3069 | -A6A102-2 | 2 | 41661-0010 | -B11A208 | | 41661-0033 | -B11A228 | |
| 26-48-1121 | -A12A102 | | 26-50-3074 | -A7A102-2 | 2 | 41661-0011 | -B12A208 | | 41661-0034 | -B12A228 | |
| 26-48-1131 | -A13A102 | | 26-50-3089 | -A8A102-2 | 2 | 41661-0012 | -B13A208 | | 41661-0035 | -B13A228 | |
| 26-48-1141 | -A14A102 | | 26-50-3099 | -A9A102-2 | 2 | 41661-0013 | -B14A208 | | 41661-0036 | -B14A228 | |
| 26-48-1151 | -A15A102 | | 26-50-3104 | -A10A102-2 | 2 | 41661-0014 | -B15A208 | | 41661-0037 | -B15A228 | |
| 26-48-1161 | -A16A102 | | 26-50-3119 | -A11A102-2 | 2 | 41661-0015 | -B16A208 | | 41661-0038 | -B16A228 | |
| 26-48-1171 | -A17A102 | | 26-50-3129 | -A12A102-2 | 2 | 41661-0016 | -B17A208 | | 41661-0039 | -B17A228 | |
| 26-48-1181 | -A18A102 | | 26-50-3139 | -A13A102-2 | 2 | 41661-0017 | -B18A208 | | 41661-0040 | -B18A228 | |
| 26-48-1191 | -A19A102 | | 26-50-3149 | -A14A102-2 | 2 | 41661-0018 | -B19A208 | | 41661-0041 | -B19A228 | |
| 26-48-1201 | -A20A102 | | 26-50-3159 | -A15A102-2 | 2 | 41661-0019 | -B20A208 | | 41661-0042 | -B20A228 | |
| 26-48-1211 | -A21A102 | | 26-50-3169 | -A16A102-2 | 2 | 41661-0020 | -B21A208 | | 41661-0043 | -B21A228 | |
| 26-48-1221 | -A22A102 | | 26-50-3179 | -A17A102-2 | 2 | 41661-0021 | -B22A208 | | 41661-0044 | -B22A228 | |
| 26-48-1231 | -A23A102 | | 26-50-3189 | -A18A102-2 | 2 | 41661-0022 | -B23A208 | | 41661-0045 | -B23A228 | |
| 26-48-1241 | -A24A102 | | 26-50-3199 | -A19A102-2 | 2 | 41661-0023 | -B24A208 | | 41661-0046 | -B24A228 | |
| 26-48-1178 | -A17A102-3 | 3 | 26-50-3209 | -A20A102-2 | 2 | | | | | | |
| 26-48-1138 | -A13A102-3 | 3 | 50-29-1687 | -A07A102-4 | 4 | | | | | | |
| 26-50-3105 | -A10A102-4 | 4 | 50-29-1612 | -A15A102-7 | 7 | | | | | | |

| | | | |
|---|---|--|-------------------------------|
| REV: BD1 | ECR/ECN INFORMATION: EC No.: UCP2010-1384 DATE: 2/10/2010 | TITLE: KK 156 HEADER ASSEMBLY FLAT BREAKAWAY 2-24 CKTS | SHEET No. - 2 - |
| DOCUMENT NUMBER: SD- 41661 -001 | CREATED / REVISED BY: MKIPPER | CHECKED BY: SSOUSEK | APPROVED BY: FSMITH |

TEMPLATE FILENAME: PRODUCT_SPEC\SIZE_A\V.1.DOC

| | | | | | | | | | | | |
|-------------------|--------------|------------|------------------|-------------|--------------|------------------|--------------|-------|------------------|-------------|-------|
| PIN NUMBER | 2161-65(102) | PIN NUMBER | 2161-3(102) | PIN NUMBER | 2161-16(501) | PIN NUMBER | 2161-36(102) | | | | |
| PIN LENGTH | 22.71/.894 | PIN LENGTH | 23.80/.937 | PIN LENGTH | 25.40/1.000 | PIN LENGTH | 30.48/1.200 | | | | |
| PLATING | 102 | PLATING | 102 | PLATING | 501 | PLATING | 102 | | | | |
| MATING "M" | 15.09/.594 | MATING "M" | 16.18/.637 | MATING "M" | 18.26/.719 | MATING "M" | 24.21/.953 | | | | |
| PCB "P" | 4.37/.172 | PCB "P" | 4.37/.172 | PCB "P" | 3.89/.153 | PCB "P" | 3.02/.119 | | | | |
| GOLD "G" | N/A | GOLD "G" | N/A | GOLD "G" | OVERALL | GOLD "G" | N/A | | | | |
| TIN "T" | OVERALL | TIN "T" | OVERALL | TIN "T" | N/A | TIN "T" | OVERALL | | | | |
| PACKAGING | PK-41661-001 | PACKAGING | PK-41661-001 | PACKAGING | PK-41661-001 | PACKAGING | PK-41661-001 | | | | |
| STATUS | | STATUS | | STATUS | | STATUS | | | | | |
| A-41661-ANAE102-* | | | A-41661-ANC102-* | | | A-41661-AND501-* | | | A-41661-ANE102-* | | |
| MATERIAL | ENGINEERING | VOIDS | MATERIAL | ENGINEERING | VOIDS | MATERIAL | ENGINEERING | VOIDS | MATERIAL | ENGINEERING | VOIDS |
| 26-48-1020 | -A2AE102 | | 26-48-7021 | -A2C102 | | 26-48-5023 | -A2D501 | | 26-58-4020 | -A2E102 | |
| 26-48-1030 | -A3AE102 | | 26-48-7031 | -A3C102 | | 41661-0093 | -A3D501 | | 26-58-4030 | -A3E102 | |
| 26-48-1040 | -A4AE102 | | 26-48-7041 | -A4C102 | | 41661-0094 | -A4D501 | | 26-58-4040 | -A4E102 | |
| 26-48-1050 | -A5AE102 | | 26-48-7051 | -A5C102 | | 41661-0095 | -A5D501 | | 26-58-4050 | -A5E102 | |
| 26-48-1060 | -A6AE102 | | 26-48-7061 | -A6C102 | | 41661-0096 | -A6D501 | | 26-58-4060 | -A6E102 | |
| 26-48-1070 | -A7AE102 | | 26-48-7071 | -A7C102 | | 41661-0097 | -A7D501 | | 26-58-4070 | -A7E102 | |
| 26-48-1080 | -A8AE102 | | 26-48-7081 | -A8C102 | | 26-48-5083 | -A8D501 | | 26-58-4080 | -A8E102 | |
| 26-48-1090 | -A9AE102 | | 26-48-7091 | -A9C102 | | 41661-0098 | -A9D501 | | 26-58-4090 | -A9E102 | |
| 26-48-1100 | -A10AE102 | | 26-48-7101 | -A10C102 | | 41661-0099 | -A10D501 | | 26-58-4100 | -A10E102 | |
| 26-48-1110 | -A11AE102 | | 26-48-7111 | -A11C102 | | 41661-0100 | -A11D501 | | 26-58-4110 | -A11E102 | |
| 26-48-1120 | -A12AE102 | | 26-48-7121 | -A12C102 | | 26-48-5123 | -A12D501 | | 26-58-4120 | -A12E102 | |
| 26-48-1130 | -A13AE102 | | 26-48-7131 | -A13C102 | | 41661-0101 | -A13D501 | | 26-58-4130 | -A13E102 | |
| 26-48-1140 | -A14AE102 | | 26-48-7141 | -A14C102 | | 41661-0102 | -A14D501 | | 26-58-4140 | -A14E102 | |
| 26-48-1150 | -A15AE102 | | 26-48-7151 | -A15C102 | | 41661-0103 | -A15D501 | | 26-58-4150 | -A15E102 | |
| 26-48-1160 | -A16AE102 | | 26-48-7161 | -A16C102 | | 41661-0104 | -A16D501 | | 26-58-4160 | -A16E102 | |
| 26-48-1170 | -A17AE102 | | 26-48-7171 | -A17C102 | | 41661-0105 | -A17D501 | | 26-58-4170 | -A17E102 | |
| 26-48-1180 | -A18AE102 | | 26-48-7181 | -A18C102 | | 41661-0106 | -A18D501 | | 26-58-4180 | -A18E102 | |
| 26-48-1190 | -A19AE102 | | 26-48-7191 | -A19C102 | | 41661-0107 | -A19D501 | | 26-58-4190 | -A19E102 | |
| 26-48-1200 | -A20AE102 | | 26-48-7201 | -A20C102 | | 41661-0108 | -A20D501 | | 26-58-4200 | -A20E102 | |
| 26-48-1210 | -A21AE102 | | 26-48-7211 | -A21C102 | | 41661-0109 | -A21D501 | | 26-58-4210 | -A21E102 | |
| 26-48-1220 | -A22AE102 | | 26-48-7221 | -A22C102 | | 41661-0110 | -A22D501 | | 26-58-4220 | -A22E102 | |
| 26-48-1230 | -A23AE102 | | 26-48-7231 | -A23C102 | | 41661-0111 | -A23D501 | | 26-58-4230 | -A23E102 | |
| 26-48-1240 | -A24AE102 | | 26-48-7241 | -A24C102 | | 41661-0112 | -A24D501 | | 26-58-4240 | -A24E102 | |

| | | | |
|---|---|--|-------------------------------|
| REV: BD1 | ECR/ECN INFORMATION: EC No.: UCP2010-1384 DATE: 2/10/2010 | TITLE: KK 156 HEADER ASSEMBLY FLAT BREAKAWAY 2-24 CKTS | SHEET No. - 3 - |
| DOCUMENT NUMBER: SD- 41661 -001 | CREATED / REVISED BY: MKIPPER | CHECKED BY: SSOUSEK | APPROVED BY: FSMITH |

TEMPLATE FILENAME: PRODUCT_SPEC\SIZE_A\V.1.DOC

| A-41661-ANF102-* | | | A-41661-ANE501-* | | | A-41661-ANH102-* | | | A-41661-ANL102-* | | |
|------------------|-------------|-------|------------------|-------------|-------|------------------|-------------|-------|------------------|-------------|-------|
| MATERIAL | ENGINEERING | VOIDS | MATERIAL | ENGINEERING | VOIDS | MATERIAL | ENGINEERING | VOIDS | MATERIAL | ENGINEERING | VOIDS |
| 26-48-4021 | -A2F102 | | 41661-0127 | -A2E501 | | 41661-0146 | -A2H102 | | 26-48-9021 | -A2L102 | |
| 26-48-4031 | -A3F102 | | 41661-0128 | -A3E501 | | 41661-0147 | -A3H102 | | 26-48-9031 | -A3L102 | |
| 26-48-4041 | -A4F102 | | 41661-0129 | -A4E501 | | 41661-0148 | -A4H102 | | 41661-0167 | -A4L102 | |
| 41661-0113 | -A5F102 | | 41661-0130 | -A5E501 | | 41661-0149 | -A5H102 | | 26-48-9051 | -A5L102 | |
| 26-48-4061 | -A6F102 | | 41661-0131 | -A6E501 | | 26-48-8061 | -A6H102 | | 26-48-9061 | -A6L102 | |
| 41661-0114 | -A7F102 | | 41661-0132 | -A7E501 | | 41661-0150 | -A7H102 | | 26-48-9071 | -A7L102 | |
| 26-48-4081 | -A8F102 | | 26-48-3081 | -A8E501 | | 41661-0151 | -A8H102 | | 41661-0168 | -A8L102 | |
| 41661-0115 | -A9F102 | | 41661-0133 | -A9E501 | | 41661-0152 | -A9H102 | | 41661-0169 | -A9L102 | |
| 26-48-4101 | -A10F102 | | 41661-0134 | -A10E501 | | 41661-0153 | -A10H102 | | 41661-0170 | -A10L102 | |
| 26-48-4111 | -A11F102 | | 41661-0135 | -A11E501 | | 41661-0154 | -A11H102 | | 41661-0171 | -A11L102 | |
| 41661-0116 | -A12F102 | | 26-48-3121 | -A12E501 | | 41661-0155 | -A12H102 | | 41661-0172 | -A12L102 | |
| 41661-0117 | -A13F102 | | 26-48-3131 | -A13E501 | | 26-48-8131 | -A13H102 | | 41661-0173 | -A13L102 | |
| 41661-0118 | -A14F102 | | 41661-0136 | -A14E501 | | 41661-0156 | -A14H102 | | 41661-0174 | -A14L102 | |
| 26-48-4151 | -A15F102 | | 41661-0137 | -A15E501 | | 41661-0157 | -A15H102 | | 41661-0175 | -A15L102 | |
| 41661-0119 | -A16F102 | | 41661-0138 | -A16E501 | | 41661-0158 | -A16H102 | | 41661-0176 | -A16L102 | |
| 41661-0120 | -A17F102 | | 41661-0139 | -A17E501 | | 41661-0159 | -A17H102 | | 41661-0177 | -A17L102 | |
| 41661-0121 | -A18F102 | | 41661-0140 | -A18E501 | | 41661-0160 | -A18H102 | | 41661-0178 | -A18L102 | |
| 41661-0122 | -A19F102 | | 41661-0141 | -A19E501 | | 41661-0161 | -A19H102 | | 41661-0179 | -A19L102 | |
| 41661-0123 | -A20F102 | | 41661-0142 | -A20E501 | | 41661-0162 | -A20H102 | | 41661-0180 | -A20L102 | |
| 41661-0124 | -A21F102 | | 41661-0143 | -A21E501 | | 41661-0163 | -A21H102 | | 41661-0181 | -A21L102 | |
| 41661-0125 | -A22F102 | | 41661-0144 | -A22E501 | | 41661-0164 | -A22H102 | | 41661-0182 | -A22L102 | |
| 41661-0126 | -A23F102 | | 41661-0145 | -A23E501 | | 41661-0165 | -A23H102 | | 41661-0183 | -A23L102 | |
| 26-48-4241 | -A24F102 | | 26-48-3241 | -A24E501 | | 41661-0166 | -A24H102 | | 26-48-9241 | -A24L102 | |

| | | | |
|---|---|--|-------------------------------|
| REV: BD1 | ECR/ECN INFORMATION: EC No.: UCP2010-1384 DATE: 2/10/2010 | TITLE: KK 156 HEADER ASSEMBLY FLAT BREAKAWAY 2-24 CKTS | SHEET No. - 4 - |
| DOCUMENT NUMBER: SD- 41661 -001 | CREATED / REVISED BY: MKIPPER | CHECKED BY: SSOUSEK | APPROVED BY: FSMITH |

TEMPLATE FILENAME: PRODUCT_SPEC\SIZE_A[V.1].DOC

| | | | | | | | | | | | |
|------------------|--------------|------------|------------------|-------------|--------------|------------------|--------------|-------|----------------|-------------|-------|
| PIN NUMBER | 2161-36(102) | PIN NUMBER | 2161-7(102) | PIN NUMBER | 2161-36(102) | PIN NUMBER | 2161-3(501) | | | | |
| PIN LENGTH | 30.48/1.200 | PIN LENGTH | 39.67/1.562 | PIN LENGTH | 30.48/1.200 | PIN LENGTH | 23.80/.937 | | | | |
| PLATING | 102 | PLATING | 102 | PLATING | 102 | PLATING | 501 | | | | |
| MATING "M" | 22.61/.890 | MATING "M" | 32.61/1.284 | MATING "M" | 13.44/.531 | MATING "M" | 16.18/.637 | | | | |
| PCB "P" | 4.62/.182 | PCB "P" | 3.81/.150 | PCB "P" | 13.74/.541 | PCB "P" | 4.37/.172 | | | | |
| GOLD "G" | N/A | GOLD "G" | N/A | GOLD "G" | N/A | GOLD "G" | OVERALL | | | | |
| TIN "T" | OVERALL | TIN "T" | OVERALL | TIN "T" | OVERALL | TIN "T" | N/A | | | | |
| PACKAGING | PK-41661-001 | PACKAGING | PK-41661-001 | PACKAGING | PK-41661-001 | PACKAGING | PK-41661-001 | | | | |
| STATUS | | STATUS | | STATUS | | STATUS | | | | | |
| A-41661-ANM102-* | | | A-41661-ANN102-* | | | A-41661-ANR102-* | | | 41661-ANC501-* | | |
| MATERIAL | ENGINEERING | VOIDS | MATERIAL | ENGINEERING | VOIDS | MATERIAL | ENGINEERING | VOIDS | MATERIAL | ENGINEERING | VOIDS |
| 26-58-4022 | -A2M102 | | 41661-0200 | -A2N102 | | 26-48-4022 | -A2R102 | | 41661-0219 | -A2C501 | |
| 41661-0184 | -A3M102 | | 41661-0201 | -A3N102 | | 26-48-4032 | -A3R102 | | 41661-0220 | -A3C501 | |
| 26-58-4042 | -A4M102 | | 41661-0202 | -A4N102 | | 26-48-4042 | -A4R102 | | 41661-0221 | -A4C501 | |
| 26-58-4052 | -A5M102 | | 41661-0203 | -A5N102 | | 26-48-4052 | -A5R102 | | 41661-0222 | -A5C501 | |
| 41661-0186 | -A6M102 | | 26-58-0062 | -A6N102 | | 26-48-4062 | -A6R102 | | 26-48-5064 | -A6C501 | |
| 26-58-4072 | -A7M102 | | 41661-0204 | -A7N102 | | 26-48-4072 | -A7R102 | | 41661-0223 | -A7C501 | |
| 41661-0187 | -A8M102 | | 41661-0205 | -A8N102 | | 26-48-4082 | -A8R102 | | 41661-0224 | -A8C501 | |
| 26-58-4092 | -A9M102 | | 26-58-0092 | -A9N102 | | 26-48-4092 | -A9R102 | | 41661-0225 | -A9C501 | |
| 26-58-4102 | -A10M102 | | 26-58-0102 | -A10N102 | | 26-48-4102 | -A10R102 | | 26-48-5104 | -A10C501 | |
| 41661-0188 | -A11M102 | | 41661-0206 | -A11N102 | | 26-48-4112 | -A11R102 | | 41661-0226 | -A11C501 | |
| 26-58-4122 | -A12M102 | | 41661-0207 | -A12N102 | | 26-48-4122 | -A12R102 | | 41661-0227 | -A12C501 | |
| 41661-0189 | -A13M102 | | 41661-0208 | -A13N102 | | 26-48-4132 | -A13R102 | | 41661-0228 | -A13C501 | |
| 41661-0190 | -A14M102 | | 41661-0209 | -A14N102 | | 26-48-4142 | -A14R102 | | 41661-0229 | -A14C501 | |
| 26-58-4152 | -A15M102 | | 41661-0210 | -A15N102 | | 26-48-4152 | -A15R102 | | 41661-0230 | -A15C501 | |
| 26-58-4162 | -A16M102 | | 41661-0211 | -A16N102 | | 26-48-4162 | -A16R102 | | 41661-0231 | -A16C501 | |
| 41661-0192 | -A17M102 | | 41661-0212 | -A17N102 | | 26-48-4172 | -A17R102 | | 41661-0232 | -A17C501 | |
| 41661-0193 | -A18M102 | | 41661-0213 | -A18N102 | | 26-48-4182 | -A18R102 | | 41661-0233 | -A18C501 | |
| 41661-0194 | -A19M102 | | 41661-0214 | -A19N102 | | 26-48-4192 | -A19R102 | | 41661-0234 | -A19C501 | |
| 41661-0195 | -A20M102 | | 41661-0215 | -A20N102 | | 26-48-4202 | -A20R102 | | 41661-0235 | -A20C501 | |
| 41661-0196 | -A21M102 | | 41661-0216 | -A21N102 | | 26-48-4212 | -A21R102 | | 41661-0236 | -A21C501 | |
| 41661-0197 | -A22M102 | | 41661-0217 | -A22N102 | | 26-48-4222 | -A22R102 | | 41661-0237 | -A22C501 | |
| 41661-0198 | -A23M102 | | 41661-0218 | -A23N102 | | 26-48-4232 | -A23R102 | | 41661-0238 | -A23C501 | |
| 41661-0199 | -A24M102 | | 26-58-0242 | -A24N102 | | 26-48-4242 | -A24R102 | | 26-48-5244 | -A24C501 | |
| | | | | | | 26-50-4055 | -A5R102-4 | 4 | | | |

| | | | |
|---|---|--|-------------------------------|
| REV: BD1 | ECR/ECN INFORMATION: EC No.: UCP2010-1384 DATE: 2/10/2010 | TITLE: KK 156 HEADER ASSEMBLY FLAT BREAKAWAY 2-24 CKTS | SHEET No. - 5 - |
| DOCUMENT NUMBER: SD- 41661 -001 | CREATED / REVISED BY: MKIPPER | CHECKED BY: SSOUSEK | APPROVED BY: FSMITH |

TEMPLATE FILENAME: PRODUCT_SPEC\SIZE_A[V.1].DOC

| | | | | | | | | | | | |
|------------------|--------------|------------|------------------|-------------|--------------|------------------|--------------|-------|-------------------|-------------|-------|
| PIN NUMBER | 2161-22(102) | PIN NUMBER | 2161-19(102) | PIN NUMBER | 2161-22(102) | PIN NUMBER | 2161-38(102) | | | | |
| PIN LENGTH | 31.75/1.250 | PIN LENGTH | 26.21/1.032 | PIN LENGTH | 31.75/1.250 | PIN LENGTH | 38.10/1.500 | | | | |
| PLATING | 102 | PLATING | 102 | PLATING | 102 | PLATING | 102 | | | | |
| MATING "M" | 25.70/1.012 | MATING "M" | 19.48/.767 | MATING "M" | 18.34/.722 | MATING "M" | 31.80/1.252 | | | | |
| PCB "P" | 2.79/.110 | PCB "P" | 3.56/.140 | PCB "P" | 10.16/.400 | PCB "P" | 3.05/.120 | | | | |
| GOLD "G" | N/A | GOLD "G" | N/A | GOLD "G" | N/A | GOLD "G" | N/A | | | | |
| TIN "T" | OVERALL | TIN "T" | OVERALL | TIN "T" | OVERALL | TIN "T" | OVERALL | | | | |
| PACKAGING | PK-41661-001 | PACKAGING | PK-41661-001 | PACKAGING | PK-41661-001 | PACKAGING | PK-41661-001 | | | | |
| STATUS | | STATUS | | STATUS | | STATUS | | | | | |
| A-41661-ANW102-* | | | A-41661-ANY102-* | | | A-41661-ANZ102-* | | | A-41661-ANAA102-* | | |
| MATERIAL | ENGINEERING | VOIDS | MATERIAL | ENGINEERING | VOIDS | MATERIAL | ENGINEERING | VOIDS | MATERIAL | ENGINEERING | VOIDS |
| 41661-0239 | -A2W102 | | 41661-0259 | -A2Y102 | | 41661-0274 | -A2Z102 | | 41661-0294 | -A2AA102 | |
| 41661-0240 | -A3W102 | | 26-58-0030 | -A3Y102 | | 41661-0275 | -A3Z102 | | 41661-0295 | -A3AA102 | |
| 26-58-0045 | -A4W102 | | 26-58-0040 | -A4Y102 | | 41661-0276 | -A4Z102 | | 41661-0296 | -A4AA102 | |
| 41661-0241 | -A5W102 | | 41661-0260 | -A5Y102 | | 41661-0277 | -A5Z102 | | 41661-0297 | -A5AA102 | |
| 41661-0242 | -A6W102 | | 26-58-0060 | -A6Y102 | | 26-58-0061 | -A6Z102 | | 41661-0298 | -A6AA102 | |
| 41661-0243 | -A7W102 | | 26-58-0070 | -A7Y102 | | 41661-0278 | -A7Z102 | | 41661-0299 | -A7AA102 | |
| 41661-0244 | -A8W102 | | 41661-0261 | -A8Y102 | | 41661-0279 | -A8Z102 | | 26-58-0083 | -A8AA102 | |
| 41661-0245 | -A9W102 | | 26-58-0090 | -A9Y102 | | 41661-0280 | -A9Z102 | | 41661-0300 | -A9AA102 | |
| 26-58-0105 | -A10W102 | | 41661-0100 | -A10Y102 | | 41661-0281 | -A10Z102 | | 41661-0301 | -A10AA102 | |
| 41661-0246 | -A11W102 | | 26-58-0110 | -A11Y102 | | 41661-0282 | -A11Z102 | | 41661-0302 | -A11AA102 | |
| 41661-0247 | -A12W102 | | 41661-0262 | -A12Y102 | | 26-58-0121 | -A12Z102 | | 41661-0303 | -A12AA102 | |
| 41661-0248 | -A13W102 | | 41661-0263 | -A13Y102 | | 41661-0283 | -A13Z102 | | 41661-0304 | -A13AA102 | |
| 41661-0249 | -A14W102 | | 41661-0264 | -A14Y102 | | 41661-0284 | -A14Z102 | | 41661-0305 | -A14AA102 | |
| 41661-0250 | -A15W102 | | 41661-0265 | -A15Y102 | | 41661-0285 | -A15Z102 | | 41661-0306 | -A15AA102 | |
| 41661-0251 | -A16W102 | | 41661-0266 | -A16Y102 | | 41661-0286 | -A16Z102 | | 41661-0307 | -A16AA102 | |
| 41661-0252 | -A17W102 | | 41661-0267 | -A17Y102 | | 41661-0287 | -A17Z102 | | 26-58-0173 | -A17AA102 | |
| 41661-0253 | -A18W102 | | 41661-0268 | -A18Y102 | | 41661-0288 | -A18Z102 | | 41661-0308 | -A18AA102 | |
| 41661-0254 | -A19W102 | | 41661-0269 | -A19Y102 | | 41661-0289 | -A19Z102 | | 41661-0309 | -A19AA102 | |
| 41661-0255 | -A20W102 | | 41661-0270 | -A20Y102 | | 41661-0290 | -A20Z102 | | 41661-0310 | -A20AA102 | |
| 41661-0256 | -A21W102 | | 41661-0271 | -A21Y102 | | 41661-0291 | -A21Z102 | | 41661-0311 | -A21AA102 | |
| 41661-0257 | -A22W102 | | 41661-0272 | -A22Y102 | | 41661-0292 | -A22Z102 | | 41661-0312 | -A22AA102 | |
| 41661-0258 | -A23W102 | | 41661-0273 | -A23Y102 | | 41661-0293 | -A23Z102 | | 41661-0313 | -A23AA102 | |
| 26-58-0245 | -A24W102 | | 26-58-0240 | -A24Y102 | | 26-58-0241 | -A24Z102 | | 41661-0314 | -A24AA102 | |
| | | | | | | | | | | | |
| | | | | | | | | | | | |
| | | | | | | | | | | | |

| | | | |
|---|---|--|-------------------------------|
| REV: BD1 | ECR/ECN INFORMATION: EC No.: UCP2010-1384 DATE: 2/10/2010 | TITLE: KK 156 HEADER ASSEMBLY FLAT BREAKAWAY 2-24 CKTS | SHEET No. - 6 - |
| DOCUMENT NUMBER: SD- 41661 -001 | CREATED / REVISED BY: MKIPPER | CHECKED BY: SSOUSEK | APPROVED BY: FSMITH |

TEMPLATE FILENAME: PRODUCT_SPEC\SIZE_A[V.1].DOC

| | | | | | | | | | | | |
|------------------|--------------|------------|------------------|-------------|--------------|-------------------|----------------------|-------|------------------|-------------|-------|
| PIN NUMBER | 2161-45(102) | PIN NUMBER | 2161-45(501) | PIN NUMBER | 2161-40(102) | PIN NUMBER | 2161-21(501) | | | | |
| PIN LENGTH | 20.85/.821 | PIN LENGTH | 20.85/.821 | PIN LENGTH | 48.26/1.900 | PIN LENGTH | 28.58/1.125 | | | | |
| PLATING | 102 | PLATING | 501 | PLATING | 102 | PLATING | 501 | | | | |
| MATING "M" | 13.23/.521 | MATING "M" | 13.23/.501 | MATING "M" | 43.18/1.700 | MATING "M" | 22.53/.887 REF | | | | |
| PCB "P" | 4.37/.172 | PCB "P" | 4.37/.172 | PCB "P" | 1.83/.072 | PCB "P" | 2.79+-.51/.110+-.020 | | | | |
| GOLD "G" | N/A | GOLD "G" | OVERALL | GOLD "G" | N/A | GOLD "G" | OVERALL | | | | |
| TIN "T" | OVERALL | TIN "T" | N/A | TIN "T" | OVERALL | TIN "T" | N/A | | | | |
| PACKAGING | PK-41661-001 | PACKAGING | PK-41661-001 | PACKAGING | PK-41661-001 | PACKAGING | PK-41661-001 | | | | |
| STATUS | | STATUS | | STATUS | | STATUS | | | | | |
| A-41661-ANB102-* | | | A-41661-ANB501-* | | | A-41661-ANAW102-* | | | A-41661-ANV501-* | | |
| MATERIAL | ENGINEERING | VOIDS | MATERIAL | ENGINEERING | VOIDS | MATERIAL | ENGINEERING | VOIDS | MATERIAL | ENGINEERING | VOIDS |
| 26-48-6021 | -A2B102 | | 26-48-5021 | -A2B501 | | 26-58-5024 | -A2AW102 | | 41661-0315 | -A2V501 | |
| 26-48-6031 | -A3B102 | | 26-48-5031 | -A3B501 | | 26-58-5034 | -A3AW102 | | 41661-0316 | -A3V501 | |
| 26-48-6041 | -A4B102 | | 26-48-5041 | -A4B501 | | 26-58-5044 | -A4AW102 | | 41661-0317 | -A4V501 | |
| 26-48-6051 | -A5B102 | | 26-48-5051 | -A5B501 | | 26-58-5054 | -A5AW102 | | 41661-0318 | -A5V501 | |
| 26-48-6061 | -A6B102 | | 26-48-5061 | -A6B501 | | 26-58-5064 | -A6AW102 | | 26-48-5068 | -A6V501 | |
| 26-48-6071 | -A7B102 | | 26-48-5071 | -A7B501 | | 26-58-5074 | -A7AW102 | | 41661-0319 | -A7V501 | |
| 26-48-6081 | -A8B102 | | 26-48-5081 | -A8B501 | | 26-58-5084 | -A8AW102 | | 26-48-5088 | -A8V501 | |
| 26-48-6091 | -A9B102 | | 26-48-5091 | -A9B501 | | 26-58-5094 | -A9AW102 | | 41661-0320 | -A9V501 | |
| 26-48-6101 | -A10B102 | | 26-48-5101 | -A10B501 | | 26-58-5104 | -A10AW102 | | 41661-0321 | -A10V501 | |
| 26-48-6111 | -A11B102 | | 26-48-5111 | -A11B501 | | 26-58-5114 | -A11AW102 | | 41661-0322 | -A11V501 | |
| 26-48-6121 | -A12B102 | | 26-48-5121 | -A12B501 | | 26-58-5124 | -A12AW102 | | 41661-0323 | -A12V501 | |
| 26-48-6131 | -A13B102 | | 26-48-5131 | -A13B501 | | 26-58-5134 | -A13AW102 | | 41661-0324 | -A13V501 | |
| 26-48-6141 | -A14B102 | | 26-48-5141 | -A14B501 | | 26-58-5144 | -A14AW102 | | 41661-0325 | -A14V501 | |
| 26-48-6151 | -A15B102 | | 26-48-5151 | -A15B501 | | 26-58-5154 | -A15AW102 | | 41661-0326 | -A15V501 | |
| 26-48-6161 | -A16B102 | | 26-48-5161 | -A16B501 | | 26-58-5164 | -A16AW102 | | 41661-0327 | -A16V501 | |
| 26-48-6171 | -A17B102 | | 26-48-5171 | -A17B501 | | 26-58-5174 | -A17AW102 | | 41661-0328 | -A17V501 | |
| 26-48-6181 | -A18B102 | | 26-48-5181 | -A18B501 | | 26-58-5184 | -A18AW102 | | 41661-0329 | -A18V501 | |
| 26-48-6191 | -A19B102 | | 26-48-5191 | -A19B501 | | 26-58-5194 | -A19AW102 | | 41661-0330 | -A19V501 | |
| 26-48-6201 | -A20B102 | | 26-48-5201 | -A20B501 | | 26-58-5204 | -A20AW102 | | 41661-0331 | -A20V501 | |
| 26-48-6211 | -A21B102 | | 26-48-5211 | -A21B501 | | 26-58-5214 | -A21AW102 | | 41661-0332 | -A21V501 | |
| 26-48-6221 | -A22B102 | | 26-48-5221 | -A22B501 | | 26-58-5224 | -A22AW102 | | 41661-0333 | -A22V501 | |
| 26-48-6231 | -A23B102 | | 26-48-5231 | -A23B501 | | 26-58-5234 | -A23AW102 | | 41661-0334 | -A23V501 | |
| 26-48-6241 | -A24B102 | | 26-48-5241 | -A24B501 | | 26-58-5244 | -A24AW102 | | 41661-0335 | -A24V501 | |
| | | | | | | | | | | | |
| | | | | | | | | | | | |
| | | | | | | | | | | | |

| | | | |
|---|---|--|-------------------------------|
| REV: BD1 | ECR/ECN INFORMATION: EC No.: UCP2010-1384 DATE: 2/10/2010 | TITLE: KK 156 HEADER ASSEMBLY FLAT BREAKAWAY 2-24 CKTS | SHEET No. - 7 - |
| DOCUMENT NUMBER: SD- 41661 -001 | CREATED / REVISED BY: MKIPPER | CHECKED BY: SSOUSEK | APPROVED BY: FSMITH |

TEMPLATE FILENAME: PRODUCT_SPEC\SIZE_A[V.1].DOC

| | | | | | | | | | | | |
|-------------------|--------------|------------|------------------|-------------|--------------|-------------------|--------------|-------|-------------------|-------------|-------|
| PIN NUMBER | 2161-5(501) | PIN NUMBER | 2161-16(102) | PIN NUMBER | 2161-21(102) | PIN NUMBER | 2161-15(102) | | | | |
| PIN LENGTH | 34.93/1.375 | PIN LENGTH | 25.40/1.000 | PIN LENGTH | 28.57/1.125 | PIN LENGTH | 15.88/.625 | | | | |
| PLATING | 501 | PLATING | 102 | PLATING | 102 | PLATING | 102 | | | | |
| MATING "M" | 27.18/1.070 | MATING "M" | 18.26/.719 | MATING "M" | 22.15/.872 | MATING "M" | 8.81/.347 | | | | |
| PCB "P" | 4.50/.177 | PCB "P" | 3.89/.153 | PCB "P" | 3.18/.125 | PCB "P" | 3.81/.150 | | | | |
| GOLD "G" | OVERALL | GOLD "G" | N/A | GOLD "G" | N/A | GOLD "G" | N/A | | | | |
| TIN "T" | N/A | TIN "T" | OVERALL | TIN "T" | OVERALL | TIN "T" | OVERALL | | | | |
| PACKAGING | PK-41661-001 | PACKAGING | PK-41661-001 | PACKAGING | PK-41661-001 | PACKAGING | PK-41661-001 | | | | |
| STATUS | | STATUS | | STATUS | | STATUS | | | | | |
| A-41661-ANAN501-* | | | A-41661-AND102-* | | | A-41661-ANBA102-* | | | A-41661-ANBC102-* | | |
| MATERIAL | ENGINEERING | VOIDS | MATERIAL | ENGINEERING | VOIDS | MATERIAL | ENGINEERING | VOIDS | MATERIAL | ENGINEERING | VOIDS |
| 26-58-4026 | -A2AN501 | | 41661-0336 | -A2D102 | | 26-48-4025 | -A2BA102 | | 26-48-3023 | -A2BC102 | |
| 26-58-4036 | -A3AN501 | | 41661-0337 | -A3D102 | | 26-48-4035 | -A3BA102 | | 26-48-3033 | -A3BC102 | |
| 26-58-4046 | -A4AN501 | | 41661-0338 | -A4D102 | | 26-48-4045 | -A4BA102 | | 26-48-3043 | -A4BC102 | |
| 26-58-4056 | -A5AN501 | | 26-48-9052 | -A5D102 | | 26-48-4055 | -A5BA102 | | 26-48-3053 | -A5BC102 | |
| 26-58-4066 | -A6AN501 | | 41661-0339 | -A6D102 | | 26-48-4065 | -A6BA102 | | 26-48-3063 | -A6BC102 | |
| 26-58-4076 | -A7AN501 | | 41661-0340 | -A7D102 | | 26-48-4075 | -A7BA102 | | 26-48-3073 | -A7BC102 | |
| 26-58-4086 | -A8AN501 | | 26-48-9082 | -A8D102 | | 26-48-4085 | -A8BA102 | | 26-48-3083 | -A8BC102 | |
| 26-58-4096 | -A9AN501 | | 41661-0341 | -A9D102 | | 26-48-4095 | -A9BA102 | | 26-48-3093 | -A9BC102 | |
| 26-58-4106 | -A10AN501 | | 41661-0342 | -A10D102 | | 26-48-4105 | -A10BA102 | | 26-48-3103 | -A10BC102 | |
| 26-58-4116 | -A11AN501 | | 41661-0343 | -A11D102 | | 26-48-4115 | -A11BA102 | | 26-48-3113 | -A11BC102 | |
| 26-58-4126 | -A12AN501 | | 41661-0344 | -A12D102 | | 26-48-4125 | -A12BA102 | | 26-48-3123 | -A12BC102 | |
| 26-58-4136 | -A13AN501 | | 41661-0345 | -A13D102 | | 26-48-4135 | -A13BA102 | | 26-48-3133 | -A13BC102 | |
| 26-58-4146 | -A14AN501 | | 41661-0346 | -A14D102 | | 26-48-4145 | -A14BA102 | | 26-48-3143 | -A14BC102 | |
| 26-58-4156 | -A15AN501 | | 41661-0347 | -A15D102 | | 26-48-4155 | -A15BA102 | | 26-48-3153 | -A15BC102 | |
| 26-58-4166 | -A16AN501 | | 41661-0348 | -A16D102 | | 26-48-4165 | -A16BA102 | | 26-48-3163 | -A16BC102 | |
| 26-58-4176 | -A17AN501 | | 41661-0349 | -A17D102 | | 26-48-4175 | -A17BA102 | | 26-48-3173 | -A17BC102 | |
| 26-58-4186 | -A18AN501 | | 41661-0350 | -A18D102 | | 26-48-4185 | -A18BA102 | | 26-48-3183 | -A18BC102 | |
| 26-58-4196 | -A19AN501 | | 41661-0351 | -A19D102 | | 26-48-4195 | -A19BA102 | | 26-48-3193 | -A19BC102 | |
| 26-58-4206 | -A20AN501 | | 41661-0352 | -A20D102 | | 26-48-4205 | -A20BA102 | | 26-48-3203 | -A20BC102 | |
| 26-58-4216 | -A21AN501 | | 41661-0353 | -A21D102 | | 26-48-4215 | -A21BA102 | | 26-48-3213 | -A21BC102 | |
| 26-58-4226 | -A22AN501 | | 41661-0354 | -A22D102 | | 26-48-4225 | -A22BA102 | | 26-48-3223 | -A22BC102 | |
| 26-58-4236 | -A23AN501 | | 41661-0355 | -A23D102 | | 26-48-4235 | -A23BA102 | | 26-48-3233 | -A23BC102 | |
| 26-58-4246 | -A24AN501 | | 26-48-9242 | -A24D102 | | 26-48-4245 | -A24BA102 | | 26-48-3243 | -A24BC102 | |
| | | | | | | | | | | | |
| | | | | | | | | | | | |
| | | | | | | | | | | | |

| | | | |
|---|---|--|-------------------------------|
| REV: BD1 | ECR/ECN INFORMATION: EC No.: UCP2010-1384 DATE: 2/10/2010 | TITLE: KK 156 HEADER ASSEMBLY FLAT BREAKAWAY 2-24 CKTS | SHEET No. - 8 - |
| DOCUMENT NUMBER: SD- 41661 -001 | CREATED / REVISED BY: MKIPPER | CHECKED BY: SSOUSEK | APPROVED BY: FSMITH |

TEMPLATE FILENAME: PRODUCT_SPEC|SIZE_A|V.1.DOC

| | | | | | | | | | | | |
|-------------------|--------------|------------|------------------|-------------|-----------|------------------|--------------|---------------------|-------------------|-------------|-------|
| PIN NUMBER | 2161-65(501) | PIN NUMBER | 2161-1(501) | PIN NUMBER | CONTINUED | PIN NUMBER | 2161-37(102) | | | | |
| PIN LENGTH | 22.71/.894 | PIN LENGTH | 19.05/.750 | PIN LENGTH | | PIN LENGTH | 27.94/1.100 | | | | |
| PLATING | 501 | PLATING | 501 | PLATING | FROM | PLATING | 102 | | | | |
| MATING "M" | 15.09/.594 | MATING "M" | 11.43/.450 | MATING "M" | | MATING "M" | 12.34/.486 | | | | |
| PCB "P" | 4.37/.172 | PCB "P" | 4.37/.172 | PCB "P" | LAST | PCB "P" | 12.34/.486 | | | | |
| GOLD "G" | OVERALL | GOLD "G" | OVERALL | GOLD "G" | | GOLD "G" | N/A | | | | |
| TIN "T" | N/A | TIN "T" | N/A | TIN "T" | COLUMN | TIN "T" | OVERALL | | | | |
| PACKAGING | PK-41661-001 | PACKAGING | PK-41661-001 | PACKAGING | | PACKAGING | PK-41661-001 | | | | |
| STATUS | | STATUS | | STATUS | | STATUS | | | | | |
| A-41661-ANAE501-* | | | A-41661-ANA501-* | | | A-41661-ANA501-* | | | A-41661-ANCC102-* | | |
| MATERIAL | ENGINEERING | VOIDS | MATERIAL | ENGINEERING | VOIDS | MATERIAL | ENGINEERING | VOIDS | MATERIAL | ENGINEERING | VOIDS |
| 26-48-2020 | -A2AE501 | | 26-48-2021 | -A2A501 | | 26-49-7171 | -A17A501-51 | 2,4,6,8,10,12,14,16 | 41661-0380 | -A2CC102 | |
| 26-48-2030 | -A3AE501 | | 26-48-2031 | -A3A501 | | | | | 41661-0381 | -A3CC102 | |
| 26-48-2040 | -A4AE501 | | 26-48-2041 | -A4A501 | | | | | 41661-0382 | -A4CC102 | |
| 26-48-2050 | -A5AE501 | | 26-48-2051 | -A5A501 | | | | | 41661-0383 | -A5CC102 | |
| 26-48-2060 | -A6AE501 | | 26-48-2061 | -A6A501 | | | | | 41661-0384 | -A6CC102 | |
| 26-48-2070 | -A7AE501 | | 26-48-2071 | -A7A501 | | | | | 41661-0385 | -A7CC102 | |
| 26-48-2080 | -A8AE501 | | 26-48-2081 | -A8A501 | | | | | 41661-0386 | -A8CC102 | |
| 26-48-2090 | -A9AE501 | | 26-48-2091 | -A9A501 | | | | | 41661-0387 | -A9CC102 | |
| 26-48-2100 | -A10AE501 | | 26-48-2101 | -A10A501 | | | | | 41661-0388 | -A10CC102 | |
| 26-48-2110 | -A11AE501 | | 26-48-2111 | -A11A501 | | | | | 41661-0389 | -A11CC102 | |
| 26-48-2120 | -A12AE501 | | 26-48-2121 | -A12A501 | | | | | 41661-0390 | -A12CC102 | |
| 26-48-2130 | -A13AE501 | | 26-48-2131 | -A13A501 | | | | | 41661-0391 | -A13CC102 | |
| 26-48-2140 | -A14AE501 | | 26-48-2141 | -A14A501 | | | | | 41661-0392 | -A14CC102 | |
| 26-48-2150 | -A15AE501 | | 26-48-2151 | -A15A501 | | | | | 41661-0393 | -A15CC102 | |
| 26-48-2160 | -A16AE501 | | 26-48-2161 | -A16A501 | | | | | 41661-0394 | -A16CC102 | |
| 26-48-2170 | -A17AE501 | | 26-48-2171 | -A17A501 | | | | | 41661-0395 | -A17CC102 | |
| 26-48-2180 | -A18AE501 | | 26-48-2181 | -A18A501 | | | | | 41661-0396 | -A18CC102 | |
| 26-48-2190 | -A19AE501 | | 26-48-2191 | -A19A501 | | | | | 41661-0397 | -A19CC102 | |
| 26-48-2200 | -A20AE501 | | 26-48-2201 | -A20A501 | | | | | 41661-0398 | -A20CC102 | |
| 26-48-2210 | -A21AE501 | | 26-48-2211 | -A21A501 | | | | | 41661-0399 | -A21CC102 | |
| 26-48-2220 | -A22AE501 | | 26-48-2221 | -A22A501 | | | | | 41661-0400 | -A22CC102 | |
| 26-48-2230 | -A23AE501 | | 26-48-2231 | -A23A501 | | | | | 41661-0401 | -A23CC102 | |
| 26-48-2240 | -A24AE501 | | 26-48-2241 | -A24A501 | | | | | 41661-0402 | -A24CC102 | |
| | | | | | | | | | | | |
| | | | | | | | | | | | |

| | | | |
|---|---|--|-------------------------------|
| REV: BD1 | ECR/ECN INFORMATION: EC No.: UCP2010-1384 DATE: 2/10/2010 | TITLE: KK 156 HEADER ASSEMBLY FLAT BREAKAWAY 2-24 CKTS | SHEET No. - 9 - |
| DOCUMENT NUMBER: SD- 41661 -001 | CREATED / REVISED BY: MKIPPER | CHECKED BY: SSOUSEK | APPROVED BY: FSMITH |

TEMPLATE FILENAME: PRODUCT_SPEC\SIZE_A[V.1].DOC

| | | | | | | | | | | | |
|-------------------|--------------|------------|-------------------|-------------|--------------|-------------------|--------------|-------|-------------------|-------------|-------|
| PIN NUMBER | 43294-0362 | PIN NUMBER | 43294-0363 | PIN NUMBER | 43294-0587 | PIN NUMBER | 43294-0317 | | | | |
| PIN LENGTH | 22.61/.890 | PIN LENGTH | 22.61/.890 | PIN LENGTH | 28.45/1.120 | PIN LENGTH | 21.34/.840 | | | | |
| PLATING | 208 | PLATING | 228 | PLATING | 208 | PLATING | 208 | | | | |
| MATING "M" | 15.09/.594 | MATING "M" | 15.09/.594 | MATING "M" | 22.15/.872 | MATING "M" | 13.97/.550 | | | | |
| PCB "P" | 4.27/.168 | PCB "P" | 4.27/.168 | PCB "P" | 3.05/.120 | PCB "P" | 4.11/.162 | | | | |
| GOLD "G" | 10.51/.415 | GOLD "G" | 10.51/.415 | GOLD "G" | 6.86/.270 | GOLD "G" | 8.89/.350 | | | | |
| TIN "T" | 4.06/.160 | TIN "T" | 4.06/.160 | TIN "T" | 5.08/.200 | TIN "T" | 5.08/.200 | | | | |
| PACKAGING | PK-41661-001 | PACKAGING | PK-41661-001 | PACKAGING | PK-41661-001 | PACKAGING | PK-41661-001 | | | | |
| STATUS | | STATUS | | STATUS | | STATUS | | | | | |
| A-41661-BNCA208-* | | | A-41661-BNCA228-* | | | A-41661-BNCD208-* | | | A-41661-BNCE208-* | | |
| MATERIAL | ENGINEERING | VOIDS | MATERIAL | ENGINEERING | VOIDS | MATERIAL | ENGINEERING | VOIDS | MATERIAL | ENGINEERING | VOIDS |
| 41661-0047 | -B2CA208 | | 41661-0070 | -B2CA228 | | 41661-0403 | -B2CD208 | | 41661-0426 | -B2CE208 | |
| 41661-0048 | -B3CA208 | | 41661-0071 | -B3CA228 | | 41661-0404 | -B3CD208 | | 41661-0427 | -B3CE208 | |
| 41661-0049 | -B4CA208 | | 41661-0072 | -B4CA228 | | 41661-0405 | -B4CD208 | | 41661-0428 | -B4CE208 | |
| 41661-0050 | -B5CA208 | | 41661-0073 | -B5CA228 | | 41661-0406 | -B5CD208 | | 41661-0429 | -B5CE208 | |
| 41661-0051 | -B6CA208 | | 41661-0074 | -B6CA228 | | 41661-0407 | -B6CD208 | | 41661-0430 | -B6CE208 | |
| 41661-0052 | -B7CA208 | | 41661-0075 | -B7CA228 | | 41661-0408 | -B7CD208 | | 41661-0431 | -B7CE208 | |
| 41661-0053 | -B8CA208 | | 41661-0076 | -B8CA228 | | 41661-0409 | -B8CD208 | | 41661-0432 | -B8CE208 | |
| 41661-0054 | -B9CA208 | | 41661-0077 | -B9CA228 | | 41661-0410 | -B9CD208 | | 41661-0433 | -B9CE208 | |
| 41661-0055 | -B10CA208 | | 41661-0078 | -B10CA228 | | 41661-0411 | -B10CD208 | | 41661-0434 | -B10CE208 | |
| 41661-0056 | -B11CA208 | | 41661-0079 | -B11CA228 | | 41661-0412 | -B11CD208 | | 41661-0435 | -B11CE208 | |
| 41661-0057 | -B12CA208 | | 41661-0080 | -B12CA228 | | 41661-0413 | -B12CD208 | | 41661-0436 | -B12CE208 | |
| 41661-0058 | -B13CA208 | | 41661-0081 | -B13CA228 | | 41661-0414 | -B13CD208 | | 41661-0437 | -B13CE208 | |
| 41661-0059 | -B14CA208 | | 41661-0082 | -B14CA228 | | 41661-0415 | -B14CD208 | | 41661-0438 | -B14CE208 | |
| 41661-0060 | -B15CA208 | | 41661-0083 | -B15CA228 | | 41661-0416 | -B15CD208 | | 41661-0439 | -B15CE208 | |
| 41661-0061 | -B16CA208 | | 41661-0084 | -B16CA228 | | 41661-0417 | -B16CD208 | | 41661-0440 | -B16CE208 | |
| 41661-0062 | -B17CA208 | | 41661-0085 | -B17CA228 | | 41661-0418 | -B17CD208 | | 41661-0441 | -B17CE208 | |
| 41661-0063 | -B18CA208 | | 41661-0086 | -B18CA228 | | 41661-0419 | -B18CD208 | | 41661-0442 | -B18CE208 | |
| 41661-0064 | -B19CA208 | | 41661-0087 | -B19CA228 | | 41661-0420 | -B19CD208 | | 41661-0443 | -B19CE208 | |
| 41661-0065 | -B20CA208 | | 41661-0088 | -B20CA228 | | 41661-0421 | -B20CD208 | | 41661-0444 | -B20CE208 | |
| 41661-0066 | -B21CA208 | | 41661-0089 | -B21CA228 | | 41661-0422 | -B21CD208 | | 41661-0445 | -B21CE208 | |
| 41661-0067 | -B22CA208 | | 41661-0090 | -B22CA228 | | 41661-0423 | -B22CD208 | | 41661-0446 | -B22CE208 | |
| 41661-0068 | -B23CA208 | | 41661-0091 | -B23CA228 | | 41661-0424 | -B23CD208 | | 41661-0447 | -B23CE208 | |
| 41661-0069 | -B24CA208 | | 41661-0092 | -B24CA228 | | 41661-0425 | -B24CD208 | | 41661-0448 | -B24CE208 | |

| | | | |
|---|---|--|-------------------------------|
| REV: BD1 | ECR/ECN INFORMATION: EC No.: UCP2010-1384 DATE: 2/10/2010 | TITLE: KK 156 HEADER ASSEMBLY FLAT BREAKAWAY 2-24 CKTS | SHEET No. - 10 - |
| DOCUMENT NUMBER: SD- 41661 -001 | CREATED / REVISED BY: MKIPPER | CHECKED BY: SSOUSEK | APPROVED BY: FSMITH |

TEMPLATE FILENAME: PRODUCT_SPEC\SIZE_A\V.1.DOC

| | | | | | | | | | | | |
|-------------------|--------------|------------|-------------------|-------------|--------------|-------------------|---------------|-------|-------------------|-------------|-------|
| PIN NUMBER | 2161-4(102) | PIN NUMBER | 2161-35(102) | PIN NUMBER | 2161-3(102) | PIN NUMBER | 2161-19(102) | | | | |
| PIN LENGTH | 12.70 / .500 | PIN LENGTH | 17.45 / .687 | PIN LENGTH | 23.80 / .937 | PIN LENGTH | 26.21 / 1.032 | | | | |
| PLATING | 102 | PLATING | 102 | PLATING | 102 | PLATING | 102 | | | | |
| MATING "M" | 5.89 / .232 | MATING "M" | 9.63 / .379 | MATING "M" | 17.02 / .670 | MATING "M" | 11.48 / .452 | | | | |
| PCB "P" | 3.56 / .140 | PCB "P" | 4.57 / .180 | PCB "P" | 3.53 / .139 | PCB "P" | 11.48 / .452 | | | | |
| GOLD "G" | NA | GOLD "G" | NA | GOLD "G" | NA | GOLD "G" | N/A | | | | |
| TIN "T" | OVERALL | TIN "T" | OVERALL | TIN "T" | OVERALL | TIN "T" | OVERALL | | | | |
| PACKAGING | PK-41661-001 | PACKAGING | PK-41661-001 | PACKAGING | PK-41661-001 | PACKAGING | PK-41661-001 | | | | |
| STATUS | | STATUS | | STATUS | | STATUS | | | | | |
| A-41661-ANCF102-* | | | A-41661-ANCG102-* | | | A-41661-ANCH102-* | | | A-41661-ANCL102-* | | |
| MATERIAL | ENGINEERING | VOIDS | MATERIAL | ENGINEERING | VOIDS | MATERIAL | ENGINEERING | VOIDS | MATERIAL | ENGINEERING | VOIDS |
| 41661-0449 | -A02CF102 | | 41661-0472 | -A02CG102 | | | | | | | |
| 41661-0450 | -A03CF102 | | 41661-0473 | -A03CG102 | | | | | | | |
| 41661-0451 | -A04CF102 | | 41661-0474 | -A04CG102 | | 41661-0497 | A04CH102 | | | | |
| 41661-0452 | -A05CF102 | | 41661-0475 | -A05CG102 | | | | | | | |
| 41661-0453 | -A06CF102 | | 41661-0476 | -A06CG102 | | | | | 41661-0522 | -A06CL102 | |
| 41661-0454 | -A07CF102 | | 41661-0477 | -A07CG102 | | | | | | | |
| 41661-0455 | -A08CF102 | | 41661-0478 | -A08CG102 | | | | | | | |
| 41661-0456 | -A09CF102 | | 41661-0479 | -A09CG102 | | | | | 41661-0525 | -A09CL102 | |
| 41661-0457 | -A10CF102 | | 41661-0480 | -A10CG102 | | | | | | | |
| 41661-0458 | -A11CF102 | | 41661-0481 | -A11CG102 | | | | | | | |
| 41661-0459 | -A12CF102 | | 41661-0482 | -A12CG102 | | | | | | | |
| 41661-0460 | -A13CF102 | | 41661-0483 | -A13CG102 | | | | | | | |
| 41661-0461 | -A14CF102 | | 41661-0484 | -A14CG102 | | | | | | | |
| 41661-0462 | -A15CF102 | | 41661-0485 | -A15CG102 | | | | | | | |
| 41661-0463 | -A16CF102 | | 41661-0486 | -A16CG102 | | | | | | | |
| 41661-0464 | -A17CF102 | | 41661-0487 | -A17CG102 | | | | | | | |
| 41661-0465 | -A18CF102 | | 41661-0488 | -A18CG102 | | | | | | | |
| 41661-0466 | -A19CF102 | | 41661-0489 | -A19CG102 | | | | | | | |
| 41661-0467 | -A20CF102 | | 41661-0490 | -A20CG102 | | | | | | | |
| 41661-0468 | -A21CF102 | | 41661-0491 | -A21CG102 | | | | | | | |
| 41661-0469 | -A22CF102 | | 41661-0492 | -A22CG102 | | | | | | | |
| 41661-0470 | -A23CF102 | | 41661-0493 | -A23CG102 | | | | | | | |
| 41661-0471 | -A24CF102 | | 41661-0494 | -A24CG102 | | | | | | | |

| | | | |
|---|---|--|-------------------------------|
| REV: BD1 | ECR/ECN INFORMATION: EC No.: UCP2010-1384 DATE: 2/10/2010 | TITLE: KK 156 HEADER ASSEMBLY FLAT BREAKAWAY 2-24 CKTS | SHEET No. - 11 - |
| DOCUMENT NUMBER: SD- 41661 -001 | CREATED / REVISED BY: MKIPPER | CHECKED BY: SSOUSEK | APPROVED BY: FSMITH |

TEMPLATE FILENAME: PRODUCT_SPEC\SIZE_A[V.1].DOC

| | | | | | | | | | | | |
|------------------|--------------|------------|------------------|-------------|---------------|-------------------|---------------|-------|-------------------|-------------|-------|
| PIN NUMBER | 43294-0236 | PIN NUMBER | 43294-0614 | PIN NUMBER | 2161-5(102) | PIN NUMBER | 2161-64(102) | | | | |
| PIN LENGTH | 19.05 / .750 | PIN LENGTH | 29.21 / 1.150 | PIN LENGTH | 34.93 / 1.375 | PIN LENGTH | 29.85 / 1.175 | | | | |
| PLATING | 208 | PLATING | 208 | PLATING | 102 | PLATING | 102 | | | | |
| MATING "M" | 12.93 / .509 | MATING "M" | 21.21 / .835 | MATING "M" | 27.31 / 1.075 | MATING "M" | 24.38 / .960 | | | | |
| PCB "P" | 2.87 / .113 | PCB "P" | 4.75 / .187 | PCB "P" | 4.37 / .172 | PCB "P" | 2.21 / .087 | | | | |
| GOLD "G" | 6.86 / .270 | GOLD "G" | 6.86 / .270 | GOLD "G" | N/A | GOLD "G" | N/A | | | | |
| TIN "T" | 4.06 / .160 | TIN "T" | 5.08 / .200 | TIN "T" | OVERALL | TIN "T" | OVERALL | | | | |
| PACKAGING | PK-41661-001 | PACKAGING | PK-41661-001 | PACKAGING | PK-41661-001 | PACKAGING | PK-41661-001 | | | | |
| STATUS | | STATUS | | STATUS | | STATUS | | | | | |
| A-41661-BNB208-* | | | A-41661-BND208-* | | | A-41661-ANCM102-* | | | A-41661-ANCN102-* | | |
| MATERIAL | ENGINEERING | VOIDS | MATERIAL | ENGINEERING | VOIDS | MATERIAL | ENGINEERING | VOIDS | MATERIAL | ENGINEERING | VOIDS |
| | -B02B208 | | | -B02D208 | | | | | | | |
| | -B03B208 | | | -B03D208 | | | | | | | |
| | -B04B208 | | 41661-0566 | -B04D208 | | | | | | | |
| | -B05B208 | | | -B05D208 | | | | | | | |
| | -B06B208 | | | -B06D208 | | | | | | | |
| | -B07B208 | | | -B07D208 | | | | | | | |
| | -B08B208 | | | -B08D208 | | | | | | | |
| | -B09B208 | | | -B09D208 | | | | | | | |
| 41661-0549 | -B10B208 | | | -B10D208 | | | | | 41661-0621 | -A10CN102 | |
| | -B11B208 | | | -B11D208 | | | | | | | |
| 41661-0551 | -B12B208 | | | -B12D208 | | 41661-0600 | -A12CM102 | | | | |
| | -B13B208 | | | -B13D208 | | | | | | | |
| | -B14B208 | | | -B14D208 | | | | | | | |
| | -B15B208 | | | -B15D208 | | | | | | | |
| | -B16B208 | | | -B16D208 | | | | | | | |
| | -B17B208 | | | -B17D208 | | | | | | | |
| | -B18B208 | | | -B18D208 | | | | | | | |
| | -B19B208 | | | -B19D208 | | | | | | | |
| | -B20B208 | | | -B20D208 | | | | | | | |
| | -B21B208 | | | -B21D208 | | | | | | | |
| | -B22B208 | | | -B22D208 | | | | | | | |
| | -B23B208 | | | -B23D208 | | | | | | | |
| | -B24B208 | | | -B24D208 | | | | | | | |

| | | | |
|---|---|--|-------------------------------|
| REV: BD1 | ECR/ECN INFORMATION: EC No.: UCP2010-1384 DATE: 2/10/2010 | TITLE: KK 156 HEADER ASSEMBLY FLAT BREAKAWAY 2-24 CKTS | SHEET No. - 12 - |
| DOCUMENT NUMBER: SD- 41661 -001 | CREATED / REVISED BY: MKIPPER | CHECKED BY: SSOUSEK | APPROVED BY: FSMITH |

TEMPLATE FILENAME: PRODUCT_SPEC(SIZE_A)(V.1).DOC

