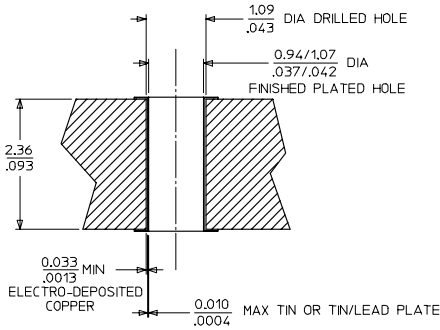


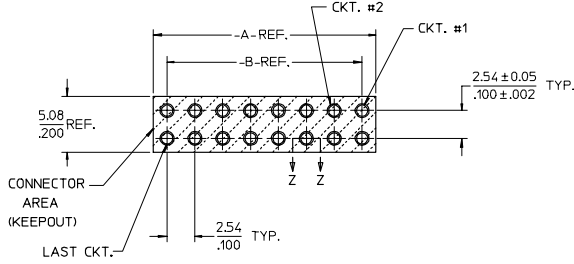
NOTE FOR LEAD FREE CONVERSION:

THE PRIMARY SHIPPING CARTON WILL BE LABELED "COMPLIANT TO ROHS DIRECTIVE 2002/95/EC AND ELV ANNEX II OF DIRECTIVE 2000/53/EC". CARTONS WITHOUT THIS LABEL MAY CONTAIN PRODUCT WITH LEAD.

- NOTES:
- MATERIAL:
INSULATOR: 30 % GLASS FILLED LCP, UL94V-0, COLOR: BLACK,
TERMINAL: COPPER ALLOY.
 - FINISH:
INSULATOR: NONE.
TERMINAL: PLATING (SEE CHART):
A- SELECT GOLD (0.76 MICROMETERS)/30 MICRONCHES MINIMUM,
SELECT TIN/LEAD (2.54 MICROMETERS)/100 MICRONCHES MINIMUM,
OVER NICKEL.*
B- SELECT GOLD (0.38 MICROMETERS)/15 MICRONCHES MINIMUM,
SELECT TIN/LEAD (2.54 MICROMETERS)/100 MICRONCHES MINIMUM,
OVER NICKEL.*
C- TIN (5.08 MICROMETERS)/200 MICRONCHES MINIMUM OVER NICKEL.
 - PRODUCT SPECIFICATION: PS-75100-001.
 - PACKAGING SPECIFICATION: PK-70873-0353.
 - RECOMMENDED PCB THICKNESS: (2.36)/.093 MINIMUM
 - THIS PART CONFORMS TO CLASS B REQUIREMENTS OF COSMETIC SPEC PS-45499-002.



SECTION Z-Z
SCALE: 20/1



RECOMMENDED PCB LAYOUT
(COMPONENT SIDE)

CIRCUIT SIZE	DIM -A-	DIM -B-
4	4.83/190	2.54/100
6	7.37/290	5.08/200
8	9.91/390	7.62/300
10	12.45/490	10.16/400
12	14.99/590	12.70/500
14	17.53/690	15.24/600
16	20.07/790	17.78/700
18	22.61/890	20.32/800
20	25.15/990	22.86/900
22	27.69/1090	25.40/1000
24	30.23/1190	27.94/1100
26	32.77/1290	30.48/1200
28	35.31/1390	33.02/1300
30	37.85/1490	35.56/1400
32	40.39/1590	38.10/1500
34	42.93/1690	40.64/1600
36	45.47/1790	43.18/1700
38	48.01/1890	45.72/1800
40	50.55/1990	48.26/1900
42	53.09/2090	50.80/2000
44	55.63/2190	53.34/2100
46	58.17/2290	55.88/2200
48	60.71/2390	58.42/2300
50	63.25/2490	60.96/2400
52	65.79/2590	63.50/2500
54	68.33/2690	66.04/2600
56	70.87/2790	68.58/2700
58	73.41/2890	71.12/2800
60	75.95/2990	73.66/2900
62	78.49/3090	76.20/3000
64	81.03/3190	78.74/3100
66	83.57/3290	81.28/3200
68	86.11/3390	83.82/3300
70	88.65/3490	86.36/3400
72	91.19/3590	88.90/3500
74	93.73/3690	91.44/3600
76	96.27/3790	93.98/3700
78	98.81/3890	96.52/3800
80	101.35/3990	99.06/3900

GENERAL DOCS	2-3	1	SHEET	REV
ANNOTATOR				
SOFTWARE				

REV	DESCRIPTION
ADD SECTION Z-Z	
EC NO:UCP2007-1133	
DRW:MSBARR006/12/05	
CHK: SMILLER 2006/12/14	
APPR:NEAZE 2006/12/14	

QUALITY SYMBOLS	GENERAL TOLERANCES (UNLESS SPECIFIED)
4 PLACES ± .010	mm INCH
3 PLACES ± .010	mm INCH
2 PLACES ± 0.25	mm INCH
1 PLACE ± .010	mm INCH
ANGULAR ± 1/2 °	
DRAFT WHERE APPLICABLE	
MUST REMAIN WITHIN DIMENSIONS	

SCALE	DESIGN UNITS
4:1	INCH
	MM/IN
	DIMENSION STYLE
	DRAWN BY DATE
	MARGULIS002/03/11
	CHECKED BY DATE
	MARGULIS002/03/11
	APPROVED BY DATE
	FRY 2002/03/11

THIRD ANGLE PROJECTION	REVISE ON CAD ONLY
.100 DUAL ROW HEADER WITH CPI TERMINALS	
MOLEX INCORPORATED	
MATERIAL NO. SEE CHART ON SHEET 2	DOCUMENT NO. SD-75102-001
SHEET NO. 1 OF 3	

**CGRID 100 HEADER DUAL ROW
.COMPLIANT PIN**

DIM M:	6.10/.240
DIM P:	4.75/.187
PLATING:	"A" – 30 GOLD
GOLD AREA DIM D:	5.08/.200
TIN AREA:	4.75/.187
VOID CKT:	NONE
PACKAGING:	PK-70873-0353

DIM M:	6.10/.240
DIM P:	4.75/.187
PLATING:	"B" – 15 GOLD
GOLD AREA DIM D:	5.08/.200
TIN AREA:	4.75/.187
VOID CKT:	NONE
PACKAGING:	PK-70873-0353

DIM M:	6.10/.240
DIM P:	4.75/.187
PLATING:	"C" - TIN
GOLD AREA DIM D:	N/A
TIN AREA:	OVERALL
VOID CKT:	NONE
PACKAGING:	PK-70873-0353

CKT	MATERIAL NO.	CKT	MATERIAL NO.
--	--	42	75102-0020
04	75102-0001	44	75102-0021
06	75102-0002	46	75102-0022
08	75102-0003	48	75102-0023
10	75102-0004	50	75102-0024
12	75102-0005	52	75102-0025
14	75102-0006	54	75102-0026
16	75102-0007	56	75102-0027
18	75102-0008	58	75102-0028
20	75102-0009	60	75102-0029
22	75102-0010	62	75102-0030
24	75102-0011	64	75102-0031
26	75102-0012	66	75102-0032
28	75102-0013	68	75102-0033
30	75102-0014	70	75102-0034
32	75102-0015	72	75102-0035
34	75102-0016	74	75102-0036
36	75102-0017	76	75102-0037
38	75102-0018	78	75102-0038
40	75102-0019	80	75102-0039

CKT	MATERIAL NO.	CKT	MATERIAL NO.
--	--	42	75102-0059
04	75102-0040	44	75102-0060
06	75102-0041	46	75102-0061
08	75102-0042	48	75102-0062
10	75102-0043	50	75102-0063
12	75102-0044	52	75102-0064
14	75102-0045	54	75102-0065
16	75102-0046	56	75102-0066
18	75102-0047	58	75102-0067
20	75102-0048	60	75102-0068
22	75102-0049	62	75102-0069
24	75102-0050	64	75102-0070
26	75102-0051	66	75102-0071
28	75102-0052	68	75102-0072
30	75102-0053	70	75102-0073
32	75102-0054	72	75102-0074
34	75102-0055	74	75102-0075
36	75102-0056	76	75102-0076
38	75102-0057	78	75102-0077
40	75102-0058	80	75102-0078

CKT	MATERIAL NO.	CKT	MATERIAL NO.
--	--	42	75102-0098
04	75102-0079	44	75102-0099
06	75102-0080	46	75102-0100
08	75102-0081	48	75102-0101
10	75102-0082	50	75102-0102
12	75102-0083	52	75102-0103
14	75102-0084	54	75102-0104
16	75102-0085	56	75102-0105
18	75102-0086	58	75102-0106
20	75102-0087	60	75102-0107
22	75102-0088	62	75102-0108
24	75102-0089	64	75102-0109
26	75102-0090	66	75102-0110
28	75102-0091	68	75102-0111
30	75102-0092	70	75102-0112
32	75102-0093	72	75102-0113
34	75102-0094	74	75102-0114
36	75102-0095	76	75102-0115
38	75102-0096	78	75102-0116
40	75102-0097	80	75102-0117

NOTE: SHEET 1 IS AN ANNOTATOR DOCUMENT

REV: E	SEE SHT 1	TITLE: .100 DUAL ROW HEADER WITH CPI TERMINALS	SHEET No. 2
DOCUMENT NUMBER: SD- 75102-001	CREATED / REVISED BY: SAMIEC	CHECKED BY: MARGULIS	APPROVED BY: MARGULIS

TEMPLATE FILENAME: PRODUCT_SPEC\SIZE_A\{V.1}.DOC

**CGRID 100 HEADER DUAL ROW
.COMPLIANT PIN**

DIM M:	6.10/.240
DIM P:	4.75/.187
PLATING:	"A" – 30 GOLD
GOLD AREA DIM D:	5.08/.200
TIN AREA:	4.75/.187
VOID CKT:	37
PACKAGING:	PK-70873-0353

DIM M:	6.10/.240
DIM P:	4.75/.187
PLATING:	"A" – 30 GOLD
GOLD AREA DIM D:	5.08/.200
TIN AREA:	4.75/.187
VOID CKT:	28
PACKAGING:	PK-70873-0353

DIM M:	6.10/.240
DIM P:	4.75/.187
PLATING:	"A" – 30 GOLD
GOLD AREA DIM D:	5.08/.200
TIN AREA:	4.75/.187
VOID CKT:	10
PACKAGING:	PK-70873-0353

CKT	MATERIAL NO.	CKT	MATERIAL NO.
--	--	42	75102-0121
04	--	44	75102-0122
06	--	46	75102-0123
08	--	48	75102-0124
10	--	50	75102-0125
12	--	52	75102-0126
14	--	54	75102-0127
16	--	56	75102-0128
18	--	58	75102-0129
20	--	60	75102-0130
22	--	62	75102-0131
24	--	64	75102-0132
26	--	66	75102-0133
28	--	68	75102-0134
30	--	70	75102-0135
32	--	72	75102-0136
34	--	74	75102-0137
36	--	76	75102-0138
38	75102-0118	78	75102-0139
40	75102-0120	80	75102-0140

CKT	MATERIAL NO.	CKT	MATERIAL NO.
--	--	42	75102-0147
04	--	44	75102-0148
06	--	46	75102-0149
08	--	48	75102-0150
10	--	50	75102-0151
12	--	52	75102-0152
14	--	54	75102-0153
16	--	56	75102-0154
18	--	58	75102-0155
20	--	60	75102-0156
22	--	62	75102-0157
24	--	64	75102-0158
26	--	66	75102-0159
28	75102-0141	68	75102-0160
30	75102-0142	70	75102-0161
32	75102-0143	72	75102-0162
34	75102-0144	74	75102-0163
36	75102-0145	76	75102-0164
38	75102-0119	78	75102-0165
40	75102--0146	80	75102-0166

CKT	MATERIAL NO.	CKT	MATERIAL NO.
--	--	42	75102-0183
04	--	44	75102-0184
06	--	46	75102-0185
08	--	48	75102-0186
10	75102-0167	50	75102-0187
12	75102-0168	52	75102-0188
14	75102-0169	54	75102-0189
16	75102-0170	56	75102-0190
18	75102-0171	58	75102-0191
20	75102-0172	60	75102-0192
22	75102-0173	62	75102-0193
24	75102-0174	64	75102-0194
26	75102-0175	66	75102-0195
28	75102-0176	68	75102-0196
30	75102-0177	70	75102-0197
32	75102-0178	72	75102-0198
34	75102-0179	74	75102-0199
36	75102-0180	76	75102-0200
38	75102-0181	78	75102-0201
40	75102-0182	80	75102-0202

REV: E	SEE SHT 1	TITLE: .100 DUAL ROW HEADER WITH CPI TERMINALS	SHEET No. 3
DOCUMENT NUMBER: SD- 75102-001	CREATED / REVISED BY: SAMIEC	CHECKED BY: MARGULIS	APPROVED BY: MARGULIS

TEMPLATE FILENAME: PRODUCT_SPEC\SIZE_A\ (V.1).DOC

**CGRID 100 HEADER DUAL ROW
.COMPLIANT PIN**

DIM M:	6.10/.240
DIM P:	4.75/.187
PLATING:	"A" – 50 GOLD
GOLD AREA DIM D:	5.08/.200
TIN AREA:	4.75/.187
VOID CKT:	NONE
PACKAGING:	PK-70873-0353

DIM M:	
DIM P:	
PLATING:	
GOLD AREA DIM D:	
TIN AREA:	
VOID CKT:	
PACKAGING:	

DIM M:	
DIM P:	
PLATING:	
GOLD AREA DIM D:	
TIN AREA:	
VOID CKT:	
PACKAGING:	

CKT	MATERIAL NO.	CKT	MATERIAL NO.
--	--	42	75102-0222
04	75102-0203	44	75102-0223
06	75102-0204	46	75102-0224
08	75102-0205	48	75102-0225
10	75102-0206	50	75102-0226
12	75102-0207	52	75102-0227
14	75102-0208	54	75102-0228
16	75102-0209	56	75102-0229
18	75102-0210	58	75102-0230
20	75102-0211	60	75102-0231
22	75102-0212	62	75102-0232
24	75102-0213	64	75102-0233
26	75102-0214	66	75102-0234
28	75102-0215	68	75102-0235
30	75102-0216	70	75102-0236
32	75102-0217	72	75102-0237
34	75102-0218	74	75102-0238
36	75102-0219	76	75102-0239
38	75102-0220	78	75102-0240
40	75102-0221	80	75102-0241

CKT	MATERIAL NO.	CKT	MATERIAL NO.
--	--	42	
04		44	
06		46	
08		48	
10		50	
12		52	
14		54	
16		56	
18		58	
20		60	
22		62	
24		64	
26		66	
28		68	
30		70	
32		72	
34		74	
36		76	
38		78	
40		80	

CKT	MATERIAL NO.	CKT	MATERIAL NO.
--	--	42	
04		44	
06		46	
08		48	
10		50	
12		52	
14		54	
16		56	
18		58	
20		60	
22		62	
24		64	
26		66	
28		68	
30		70	
32		72	
34		74	
36		76	
38		78	
40		80	

NOTE: SHEET 1 IS AN ANNOTATOR DOCUMENT

REV: E	SEE SHT 1	TITLE: .100 DUAL ROW HEADER WITH CPI TERMINALS	SHEET No. 4
DOCUMENT NUMBER: SD- 75102-001	CREATED / REVISED BY: SAMIEC	CHECKED BY: MARGULIS	APPROVED BY: MARGULIS

TEMPLATE FILENAME: PRODUCT_SPEC\SIZE_A\{V.1}.DOC