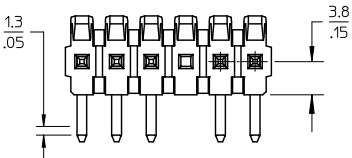


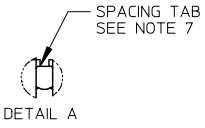
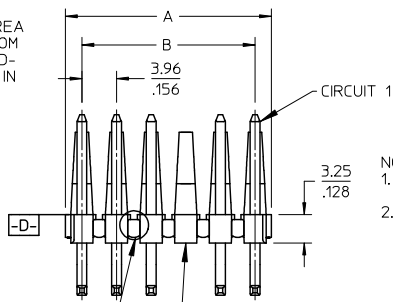
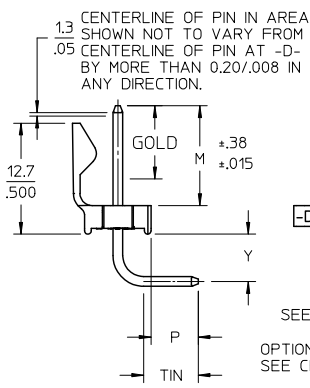
6 5 4 3 2 1

CENTERLINE OF PIN IN AREA SHOWN NOT TO VARY FROM CENTERLINE OF PIN AT -D- BY MORE THAN 0.13/.005 IN ANY DIRECTION.

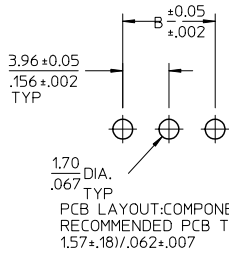


A-41672- \* N \* \*\*  
 OPTION - PACKING  
 A= 2161 PIN- BULK PACK  
 B= 43294 PIN- BULK PACK  
 NO OF CKTS  
 DIM M.L.P  
 PLATING  
 VOID LOCATIONS  
 BLANK=NO VOIDS  
 NO=CKT NO VOIDED  
 MULT-VOIDS=51 UP

| CIRCUIT | A                          | B              |
|---------|----------------------------|----------------|
| 2       | 6.78/7.87<br>.267/.310     | 3.96<br>.156   |
| 3       | 10.74/11.84<br>.423/.466   | 7.92<br>.312   |
| 4       | 14.71/15.80<br>.579/.622   | 11.89<br>.468  |
| 5       | 18.67/19.76<br>.735/.778   | 15.85<br>.624  |
| 6       | 22.63/23.72<br>.891/.934   | 19.81<br>.780  |
| 7       | 26.59/27.69<br>1.047/1.090 | 23.77<br>.936  |
| 8       | 30.56/31.65<br>1.203/1.246 | 27.74<br>1.092 |
| 9       | 34.52/35.61<br>1.359/1.402 | 31.70<br>1.248 |
| 10      | 38.48/39.57<br>1.515/1.558 | 35.66<br>1.404 |
| 11      | 42.44/43.54<br>1.671/1.714 | 39.62<br>1.560 |
| 12      | 46.41/47.50<br>1.827/1.870 | 43.59<br>1.716 |
| 13      | 50.37/51.46<br>1.983/2.026 | 47.55<br>1.872 |
| 14      | 54.33/55.42<br>2.139/2.182 | 51.51<br>2.028 |
| 15      | 58.29/59.39<br>2.295/2.338 | 55.47<br>2.184 |
| 16      | 62.26/63.35<br>2.451/2.494 | 59.44<br>2.340 |
| 17      | 66.22/67.31<br>2.607/2.650 | 63.40<br>2.496 |
| 18      | 70.18/71.27<br>2.763/2.806 | 67.36<br>2.652 |
| 19      | 74.14/75.23<br>2.919/2.962 | 71.32<br>2.808 |
| 20      | 78.11/79.20<br>3.075/3.118 | 75.29<br>2.964 |
| 21      | 82.07/83.16<br>3.231/3.274 | 79.25<br>3.120 |
| 22      | 86.03/87.12<br>3.387/3.430 | 83.21<br>3.276 |
| 23      | 89.94/91.08<br>3.541/3.586 | 87.17<br>3.432 |
| 24      | 93.85/95.00<br>3.695/3.740 | 91.14<br>3.588 |



- NOTES:  
 1. MATERIAL: HEADER: POLYESTER, 94V-0, MOLDED BLACK  
 PIN: BRASS  
 2. FINISH:  
 (102) OVERALL TIN: 0.00508/.000200 MIN OVER  
 0.00254/.000100 MIN COPPER.  
 (154) OVERALL TIN: 0.00254/.000100 MIN OVER  
 0.00127/.000050 MIN NICKEL.  
 (208) SELECT GOLD: 0.00038/.000015 MIN.  
 \*SELECT TIN: 0.00254/.000100 MIN.  
 OVERALL NICKEL UNDERPLATE: 0.00127/.000050 MIN.  
 (228) SELECT GOLD: 0.00076/.000030 MIN.  
 \*SELECT TIN: 0.00254/.000100 MIN.  
 OVERALL NICKEL UNDERPLATE: 0.00127/.000050 MIN.  
 (501) OVERALL GOLD: 0.00051/.000020 MIN OVER  
 0.00076/.000030 MIN NICKEL.  
 (503) OVERALL GOLD: 0.00076/.000030 MIN OVER  
 0.00127/.000050 MIN NICKEL.  
 \*THE PRIMARY SHIPPING CARTON WILL BE LABELED "COMPLIANT  
 TO RoHS DIRECTIVE 2002/95/EC AND ELV ANNEX II OF DIRECTIVE  
 2000/53/EC". CARTONS WITHOUT THIS LABEL MAY CONTAIN PRODUCT  
 WITH TIN/LEAD PLATINGS.  
 3. PRODUCT SPECIFICATION: PS-08-50.  
 4. PACKAGING INFORMATION: SEE TABLES  
 5. SOLDERABILITY: PER SMES-152.  
 6. PIN PUSH-OUT FORCE: PRIOR TO SOLDERING, A 3 LB. MINIMUM  
 FORCE IN EITHER DIRECTION SHALL BE REQUIRED TO PUSH THE  
 PIN OUT OF THE HEADER.  
 7. PARTS ARE STACKABLE END TO END ON 3.96/.156 CENTERS.(SPACING  
 TABS MUST BE REMOVED ON CIRCUIT SIZES 1-23 BEFORE PARTS  
 ARE STACKABLE.  
 8. PARTS WILL CONFORM TO CLASS B REQUIREMENTS OF COSMETIC  
 SPECIFICATION PS-45499-002.



| ADD 41672-0228<br>EC NO: UCP2009-2938<br>DRWN:MKIPPER 2009/06/12<br>CHKD:SSOUSEK 2009/06/15<br>APPR:FSMITH 2009/06/15<br>DESCRIPTION<br>REV | QUALITY SYMBOLS                                      | GENERAL TOLERANCES (UNLESS SPECIFIED)  | DIMENSION STYLE | SCALE                    | DESIGN UNITS | THIRD ANGLE PROJECTION  |          |       |       |  |          |       |        |  |          |        |        |  |         |        |       |  |       |     |      |  |
|---|--|--|-----------------|--------------------------|--------------|---|----------|-------|-------|--|----------|-------|--------|--|----------|--------|--------|--|---------|--------|-------|--|-------|-----|------|--|
|   |  | <table border="1"> <tr><th colspan="2">mm</th><th colspan="2">INCH</th></tr> <tr><td>4 PLACES</td><td>± ---</td><td>± ---</td><td></td></tr> <tr><td>3 PLACES</td><td>± ---</td><td>± .010</td><td></td></tr> <tr><td>2 PLACES</td><td>± 0.25</td><td>± .015</td><td></td></tr> <tr><td>1 PLACE</td><td>± 0.38</td><td>± ---</td><td></td></tr> </table> | mm              |                          | INCH         |   | 4 PLACES | ± --- | ± --- |  | 3 PLACES | ± --- | ± .010 |  | 2 PLACES | ± 0.25 | ± .015 |  | 1 PLACE | ± 0.38 | ± --- |  | MM/IN | 2:1 | INCH |  |
|   | mm   |  | INCH            |                          |              |   |          |       |       |  |          |       |        |  |          |        |        |  |         |        |       |  |       |     |      |  |
|   | 4 PLACES   | ± ---  | ± ---           |                          |              |   |          |       |       |  |          |       |        |  |          |        |        |  |         |        |       |  |       |     |      |  |
| 3 PLACES  | ± ---  | ± .010   |                 |                          |              |   |          |       |       |  |          |       |        |  |          |        |        |  |         |        |       |  |       |     |      |  |
| 2 PLACES  | ± 0.25   | ± .015   |                 |                          |              |   |          |       |       |  |          |       |        |  |          |        |        |  |         |        |       |  |       |     |      |  |
| 1 PLACE   | ± 0.38   | ± ---  |                 |                          |              |   |          |       |       |  |          |       |        |  |          |        |        |  |         |        |       |  |       |     |      |  |
|   | ANGULAR ±1/2°  | DRAWN BY JSCHAFFER   | DATE 12-5-03    | TITLE                    |              | KK .156 HEADER ASSEMBLY<br>FRICTION LOCK BREAKAWAY<br>RIGHT ANGLE |          |       |       |  |          |       |        |  |          |        |        |  |         |        |       |  |       |     |      |  |
|   | DRAFT WHERE APPLICABLE MUST REMAIN WITHIN DIMENSIONS | CHECKED BY KSAMIEC   | DATE 12-12-03   | MOLEX MOLEX INCORPORATED |              |   |          |       |       |  |          |       |        |  |          |        |        |  |         |        |       |  |       |     |      |  |
|   |  | APPROVED BY MARGULIS   | DATE 12-16-03   | DOCUMENT NO.             | SHEET NO.    |   |          |       |       |  |          |       |        |  |          |        |        |  |         |        |       |  |       |     |      |  |
|   |  |  | SEE CHART       | SD-41672-001             | 1 OF *       |   |          |       |       |  |          |       |        |  |          |        |        |  |         |        |       |  |       |     |      |  |

tb\_frame\_A\_P\_AM\_T  
 Rev. D 2004/06/28

5 4 3 2 1

|                |               |
|----------------|---------------|
| Header No:     | 41186-A-AN    |
| Pin No:        | 2161-37(102)  |
| Pin Length L   | 1.100 / 27.90 |
| Mating M       | .450 / 11.43  |
| Gold:          | NA            |
| Bend Height: Y | .213 / 5.41   |
| PC Tail P      | .212 / 5.38   |
| Tin:           | OVERALL       |
| Pack Per       | PK-41672-001  |

|                |               |
|----------------|---------------|
| Header No:     | 41186-A-AN    |
| Pin No:        | 43294-0569    |
| Pin Length L   | 1.100 / 27.90 |
| Mating M       | .450 / 11.43  |
| Gold:          | .270 / 6.86   |
| Bend Height: Y | .213 / 5.41   |
| PC Tail P      | .212 / 5.38   |
| Tin:           | .200 / 5.08   |
| Pack Per       | PK-41672-001  |

|                |               |
|----------------|---------------|
| Header No:     | 41186-A-AN    |
| Pin No:        | 43294-0570    |
| Pin Length L   | 1.100 / 27.90 |
| Mating M       | .450 / 11.43  |
| Gold:          | .270 / 6.86   |
| Bend Height: Y | .213 / 5.41   |
| PC Tail P      | .212 / 5.38   |
| Tin:           | .200 / 5.08   |
| Pack Per       | PK-41672-001  |

|                |               |
|----------------|---------------|
| Header No:     | 41186-A-AN    |
| Pin No:        | 2161-37(501)  |
| Pin Length L   | 1.100 / 27.90 |
| Mating M       | .450 / 11.43  |
| Gold:          | OVERALL       |
| Bend Height: Y | .213 / 5.41   |
| PC Tail P      | .212 / 5.38   |
| Tin:           | NA            |
| Pack Per       | PK-41672-001  |

| Ckts | Material No | Engineer Number | Material No | Engineer Number | Material No | Engineer Number | Material No | Engineer Number |
|------|-------------|-----------------|-------------|-----------------|-------------|-----------------|-------------|-----------------|
| 2    | 026481026   | A-41672-A02A102 | 41672-0001  | A-41672-B02A208 | 41672-0024  | A-41672-B02A228 | 026482026   | A-41672-A02A501 |
| 3    | 026481036   | A-41672-A03A102 | 41672-0002  | A-41672-B03A208 | 41672-0025  | A-41672-B03A228 | 026482036   | A-41672-A03A501 |
| 4    | 026481046   | A-41672-A04A102 | 41672-0003  | A-41672-B04A208 | 41672-0026  | A-41672-B04A228 | 026482046   | A-41672-A04A501 |
| 5    | 026481056   | A-41672-A05A102 | 41672-0004  | A-41672-B05A208 | 41672-0027  | A-41672-B05A228 | 026482056   | A-41672-A05A501 |
| 6    | 026481066   | A-41672-A06A102 | 41672-0005  | A-41672-B06A208 | 41672-0028  | A-41672-B06A228 | 026482066   | A-41672-A06A501 |
| 7    | 026481076   | A-41672-A07A102 | 41672-0006  | A-41672-B07A208 | 41672-0029  | A-41672-B07A228 | 026482076   | A-41672-A07A501 |
| 8    | 026481086   | A-41672-A08A102 | 41672-0007  | A-41672-B08A208 | 41672-0030  | A-41672-B08A228 | 026482086   | A-41672-A08A501 |
| 9    | 026481096   | A-41672-A09A102 | 41672-0008  | A-41672-B09A208 | 41672-0031  | A-41672-B09A228 | 026482096   | A-41672-A09A501 |
| 10   | 026481106   | A-41672-A10A102 | 41672-0009  | A-41672-B10A208 | 41672-0032  | A-41672-B10A228 | 026482106   | A-41672-A10A501 |
| 11   | 026481116   | A-41672-A11A102 | 41672-0010  | A-41672-B11A208 | 41672-0033  | A-41672-B11A228 | 026482116   | A-41672-A11A501 |
| 12   | 026481126   | A-41672-A12A102 | 41672-0011  | A-41672-B12A208 | 41672-0034  | A-41672-B12A228 | 026482126   | A-41672-A12A501 |
| 13   | 026481136   | A-41672-A13A102 | 41672-0012  | A-41672-B13A208 | 41672-0035  | A-41672-B13A228 | 026482136   | A-41672-A13A501 |
| 14   | 026481146   | A-41672-A14A102 | 41672-0013  | A-41672-B14A208 | 41672-0036  | A-41672-B14A228 | 026482146   | A-41672-A14A501 |
| 15   | 026481156   | A-41672-A15A102 | 41672-0014  | A-41672-B15A208 | 41672-0037  | A-41672-B15A228 | 026482156   | A-41672-A15A501 |
| 16   | 026481166   | A-41672-A16A102 | 41672-0015  | A-41672-B16A208 | 41672-0038  | A-41672-B16A228 | 026482166   | A-41672-A16A501 |
| 17   | 026481176   | A-41672-A17A102 | 41672-0016  | A-41672-B17A208 | 41672-0039  | A-41672-B17A228 | 026482176   | A-41672-A17A501 |
| 18   | 026481186   | A-41672-A18A102 | 41672-0017  | A-41672-B18A208 | 41672-0040  | A-41672-B18A228 | 026482186   | A-41672-A18A501 |
| 19   | 026481196   | A-41672-A19A102 | 41672-0018  | A-41672-B19A208 | 41672-0041  | A-41672-B19A228 | 026482196   | A-41672-A19A501 |
| 20   | 026481206   | A-41672-A20A102 | 41672-0019  | A-41672-B20A208 | 41672-0042  | A-41672-B20A228 | 026482206   | A-41672-A20A501 |
| 21   | 026481216   | A-41672-A21A102 | 41672-0020  | A-41672-B21A208 | 41672-0043  | A-41672-B21A228 | 026482216   | A-41672-A21A501 |
| 22   | 026481226   | A-41672-A22A102 | 41672-0021  | A-41672-B22A208 | 41672-0044  | A-41672-B22A228 | 026482226   | A-41672-A22A501 |
| 23   | 026481236   | A-41672-A23A102 | 41672-0022  | A-41672-B23A208 | 41672-0045  | A-41672-B23A228 | 026482236   | A-41672-A23A501 |
| 24   | 026481246   | A-41672-A24A102 | 41672-0023  | A-41672-B24A208 | 41672-0046  | A-41672-B24A228 | 026482246   | A-41672-A24A501 |

|  |  |  |                                      |
|--|--|--|--------------------------------------|
| <b>REV:</b><br><b>AB4</b>                        | <b>ECR/ECN INFORMATION:</b>                    | <b>TITLE:</b><br><b>KK 156 HEADER ASSEMBLY<br/>FRICTION LOCK BREAKAWAY<br/>RIGHT ANGLE</b> | <b>SHEET No.</b><br><b>- 2 -</b>     |
|  | <b>EC No.:</b> UCP2009-2938                    |  |                                      |
|  | <b>DATE:</b> 6/15/2009                         |  |                                      |
| <b>DOCUMENT NUMBER:</b><br><b>SD- 41672 -001</b> | <b>CREATED / REVISED BY:</b><br><b>MKIPPER</b> | <b>CHECKED BY:</b><br><b>SSOUSEK</b>   | <b>APPROVED BY:</b><br><b>FSMITH</b> |

TEMPLATE FILENAME: PRODUCT\_SPEC(SIZE\_A)(V.1).DOC



|                |               |
|----------------|---------------|
| Header No:     | 41186-A-AN    |
| Pin No:        | 2161-96(501)  |
| Pin Length L   | 1.531 / 38.89 |
| Mating M       | .500 / 12.70  |
| Gold:          | OVERALL       |
| Bend Height: Y | .213 / 5.41   |
| PC Tail P      | .592 / 15.04  |
| Tin:           | NA            |
| Pack Per       | PK-41672-001  |

|                |               |
|----------------|---------------|
| Header No:     | 41186-A-AN    |
| Pin No:        | 2161-37(501)  |
| Pin Length L   | 1.100 / 27.90 |
| Mating M       | .523 / 13.28  |
| Gold:          | OVERALL       |
| Bend Height: Y | .213 / 5.41   |
| PC Tail P      | .136 / 3.45   |
| Tin:           | NA            |
| Pack Per       | PK-41672-001  |

|                |                |
|----------------|----------------|
| Header No:     | 41186-A-AN     |
| Pin No:        | 2161-19(102)   |
| Pin Length L   | 1.032 / 26.21  |
| Mating M       | .458/11.63 REF |
| Gold:          | NA             |
| Bend Height: Y | .221 / 5.61    |
| PC Tail P      | .125+- .015    |
| Tin:           | OVERALL        |
| Pack Per       | PK-41672-001   |

|                |               |
|----------------|---------------|
| Header No:     | 41186-A-AN    |
| Pin No:        | 2161-19(102)  |
| Pin Length L   | 1.032 / 26.21 |
| Mating M       | .461 / 11.71  |
| Gold:          | NA            |
| Bend Height: Y | .213 / 5.41   |
| PC Tail P      | .130 / 3.30   |
| Tin:           | OVERALL       |
| Pack Per       | PK-41672-001  |

| Ckts | Material No | Engineer Number | Material No | Engineer Number | Material No | Engineer Number | Material No | Engineer Number |
|------|-------------|-----------------|-------------|-----------------|-------------|-----------------|-------------|-----------------|
| 2    | 41672-0109  | A-41672-A02D501 | 026586020   | A-41672-A02C501 | 026482029   | A-41672-A02E102 | 41672-0151  | A-41672-A02F102 |
| 3    | 41672-0110  | A-41672-A03D501 | 026586030   | A-41672-A03C501 | 026482039   | A-41672-A03E102 | 41672-0152  | A-41672-A03F102 |
| 4    | 41672-0111  | A-41672-A04D501 | 41672-0131  | A-41672-A04C501 | 026482049   | A-41672-A04E102 | 41672-0153  | A-41672-A04F102 |
| 5    | 41672-0112  | A-41672-A05D501 | 41672-0132  | A-41672-A05C501 | 026482059   | A-41672-A05E102 | 41672-0154  | A-41672-A05F102 |
| 6    | 41672-0113  | A-41672-A06D501 | 41672-0133  | A-41672-A06C501 | 026482069   | A-41672-A06E102 | 41672-0155  | A-41672-A06F102 |
| 7    | 41672-0114  | A-41672-A07D501 | 41672-0134  | A-41672-A07C501 | 026482079   | A-41672-A07E102 | 41672-0156  | A-41672-A07F102 |
| 8    | 41672-0115  | A-41672-A08D501 | 026586080   | A-41672-A08C501 | 026482089   | A-41672-A08E102 | 41672-0157  | A-41672-A08F102 |
| 9    | 41672-0116  | A-41672-A09D501 | 41672-0135  | A-41672-A09C501 | 026482099   | A-41672-A09E102 | 41672-0158  | A-41672-A09F102 |
| 10   | 41672-0117  | A-41672-A10D501 | 41672-0136  | A-41672-A10C501 | 026482109   | A-41672-A10E102 | 41672-0159  | A-41672-A10F102 |
| 11   | 41672-0118  | A-41672-A11D501 | 41672-0137  | A-41672-A11C501 | 026482119   | A-41672-A11E102 | 41672-0160  | A-41672-A11F102 |
| 12   | 41672-0119  | A-41672-A12D501 | 41672-0138  | A-41672-A12C501 | 026482129   | A-41672-A12E102 | 41672-0161  | A-41672-A12F102 |
| 13   | 41672-0120  | A-41672-A13D501 | 41672-0139  | A-41672-A13C501 | 026482139   | A-41672-A13E102 | 41672-0162  | A-41672-A13F102 |
| 14   | 41672-0121  | A-41672-A14D501 | 41672-0140  | A-41672-A14C501 | 026482149   | A-41672-A14E102 | 41672-0163  | A-41672-A14F102 |
| 15   | 41672-0122  | A-41672-A15D501 | 41672-0141  | A-41672-A15C501 | 026482159   | A-41672-A15E102 | 41672-0164  | A-41672-A15F102 |
| 16   | 41672-0123  | A-41672-A16D501 | 41672-0142  | A-41672-A16C501 | 026482169   | A-41672-A16E102 | 41672-0165  | A-41672-A16F102 |
| 17   | 41672-0124  | A-41672-A17D501 | 41672-0143  | A-41672-A17C501 | 026482179   | A-41672-A17E102 | 41672-0166  | A-41672-A17F102 |
| 18   | 41672-0125  | A-41672-A18D501 | 41672-0144  | A-41672-A18C501 | 026482189   | A-41672-A18E102 | 41672-0167  | A-41672-A18F102 |
| 19   | 41672-0126  | A-41672-A19D501 | 41672-0145  | A-41672-A19C501 | 026482199   | A-41672-A19E102 | 41672-0168  | A-41672-A19F102 |
| 20   | 41672-0127  | A-41672-A20D501 | 41672-0146  | A-41672-A20C501 | 026482209   | A-41672-A20E102 | 41672-0169  | A-41672-A20F102 |
| 21   | 41672-0128  | A-41672-A21D501 | 41672-0147  | A-41672-A21C501 | 026482219   | A-41672-A21E102 | 41672-0170  | A-41672-A21F102 |
| 22   | 41672-0129  | A-41672-A22D501 | 41672-0148  | A-41672-A22C501 | 026482229   | A-41672-A22E102 | 41672-0171  | A-41672-A22F102 |
| 23   | 41672-0130  | A-41672-A23D501 | 41672-0149  | A-41672-A23C501 | 026482239   | A-41672-A23E102 | 41672-0172  | A-41672-A23F102 |
| 24   | 026586242   | A-41672-A24D501 | 41672-0150  | A-41672-A24C501 | 026482249   | A-41672-A24E102 | 41672-0173  | A-41672-A24F102 |

|   |  |  |                                      |
|---|--|--|--------------------------------------|
| <b>REV:</b><br><b>AB4</b>                                       | <u>ECR/ECN INFORMATION:</u>                    | <u>TITLE:</u><br><b>KK 156 HEADER ASSEMBLY<br/>FRICTION LOCK BREAKAWAY<br/>RIGHT ANGLE</b> | <u>SHEET No.</u><br><b>- 4 -</b>     |
|   | <u>EC No.:</u> <b>UCP2009-2938</b>             |  |                                      |
|   | <u>DATE:</u> <b>6/15/2009</b>                  |  |                                      |
| <u>DOCUMENT NUMBER:</u><br><b>SD- 41672 -001</b>                | <u>CREATED / REVISED BY:</u><br><b>MKIPPER</b> | <u>CHECKED BY:</u><br><b>SSOUSEK</b>   | <u>APPROVED BY:</u><br><b>FSMITH</b> |
| <small>TEMPLATE FILENAME: PRODUCT_SPEC(SIZE_A)(V.1).DOC</small> |  |  |                                      |

|   |                    |                        |                    |                        |                 |                    |                        |               |           |              |       |    |                 |             |            |             |      |         |           |              |   |  |  |            |            |         |              |               |               |           |              |       |    |                 |             |            |             |      |         |           |              |   |  |  |            |            |         |              |               |               |           |              |       |         |                 |             |            |             |      |    |           |              |
|---|--------------------|------------------------|--------------------|------------------------|-----------------|--------------------|------------------------|---------------|-----------|--------------|-------|----|-----------------|-------------|------------|-------------|------|---------|-----------|--------------|---|--|--|------------|------------|---------|--------------|---------------|---------------|-----------|--------------|-------|----|-----------------|-------------|------------|-------------|------|---------|-----------|--------------|---|--|--|------------|------------|---------|--------------|---------------|---------------|-----------|--------------|-------|---------|-----------------|-------------|------------|-------------|------|----|-----------|--------------|
| <table border="1"> <tr><td>Header No:</td><td>41186-A-AN</td></tr> <tr><td>Pin No:</td><td>2161-52(102)</td></tr> <tr><td>Pin Length L:</td><td>1.063 / 27.00</td></tr> <tr><td>Mating M:</td><td>.450 / 11.43</td></tr> <tr><td>Gold:</td><td>NA</td></tr> <tr><td>Bend Height: Y:</td><td>.213 / 5.41</td></tr> <tr><td>PC Tail P:</td><td>.172 / 4.69</td></tr> <tr><td>Tin:</td><td>OVERALL</td></tr> <tr><td>Pack Per:</td><td>PK-41672-001</td></tr> </table> |                    |                        | Header No:         | 41186-A-AN             | Pin No:         | 2161-52(102)       | Pin Length L:          | 1.063 / 27.00 | Mating M: | .450 / 11.43 | Gold: | NA | Bend Height: Y: | .213 / 5.41 | PC Tail P: | .172 / 4.69 | Tin: | OVERALL | Pack Per: | PK-41672-001 | <table border="1"> <tr><td>Header No:</td><td>41186-A-AN</td></tr> <tr><td>Pin No:</td><td>2161-37(102)</td></tr> <tr><td>Pin Length L:</td><td>1.100 / 27.90</td></tr> <tr><td>Mating M:</td><td>.450 / 11.43</td></tr> <tr><td>Gold:</td><td>NA</td></tr> <tr><td>Bend Height: Y:</td><td>.213 / 5.41</td></tr> <tr><td>PC Tail P:</td><td>.212 / 5.38</td></tr> <tr><td>Tin:</td><td>OVERALL</td></tr> <tr><td>Pack Per:</td><td>PK-41672-001</td></tr> </table> |  |  | Header No: | 41186-A-AN | Pin No: | 2161-37(102) | Pin Length L: | 1.100 / 27.90 | Mating M: | .450 / 11.43 | Gold: | NA | Bend Height: Y: | .213 / 5.41 | PC Tail P: | .212 / 5.38 | Tin: | OVERALL | Pack Per: | PK-41672-001 | <table border="1"> <tr><td>Header No:</td><td>41186-A-AN</td></tr> <tr><td>Pin No:</td><td>2161-37(501)</td></tr> <tr><td>Pin Length L:</td><td>1.100 / 27.90</td></tr> <tr><td>Mating M:</td><td>.450 / 11.43</td></tr> <tr><td>Gold:</td><td>OVERALL</td></tr> <tr><td>Bend Height: Y:</td><td>.213 / 5.41</td></tr> <tr><td>PC Tail P:</td><td>.212 / 5.38</td></tr> <tr><td>Tin:</td><td>NA</td></tr> <tr><td>Pack Per:</td><td>PK-41672-001</td></tr> </table> |  |  | Header No: | 41186-A-AN | Pin No: | 2161-37(501) | Pin Length L: | 1.100 / 27.90 | Mating M: | .450 / 11.43 | Gold: | OVERALL | Bend Height: Y: | .213 / 5.41 | PC Tail P: | .212 / 5.38 | Tin: | NA | Pack Per: | PK-41672-001 |
| Header No:  | 41186-A-AN         |                        |                    |                        |                 |                    |                        |               |           |              |       |    |                 |             |            |             |      |         |           |              |   |  |  |            |            |         |              |               |               |           |              |       |    |                 |             |            |             |      |         |           |              |   |  |  |            |            |         |              |               |               |           |              |       |         |                 |             |            |             |      |    |           |              |
| Pin No:   | 2161-52(102)       |                        |                    |                        |                 |                    |                        |               |           |              |       |    |                 |             |            |             |      |         |           |              |   |  |  |            |            |         |              |               |               |           |              |       |    |                 |             |            |             |      |         |           |              |   |  |  |            |            |         |              |               |               |           |              |       |         |                 |             |            |             |      |    |           |              |
| Pin Length L:   | 1.063 / 27.00      |                        |                    |                        |                 |                    |                        |               |           |              |       |    |                 |             |            |             |      |         |           |              |   |  |  |            |            |         |              |               |               |           |              |       |    |                 |             |            |             |      |         |           |              |   |  |  |            |            |         |              |               |               |           |              |       |         |                 |             |            |             |      |    |           |              |
| Mating M:   | .450 / 11.43       |                        |                    |                        |                 |                    |                        |               |           |              |       |    |                 |             |            |             |      |         |           |              |   |  |  |            |            |         |              |               |               |           |              |       |    |                 |             |            |             |      |         |           |              |   |  |  |            |            |         |              |               |               |           |              |       |         |                 |             |            |             |      |    |           |              |
| Gold:   | NA                 |                        |                    |                        |                 |                    |                        |               |           |              |       |    |                 |             |            |             |      |         |           |              |   |  |  |            |            |         |              |               |               |           |              |       |    |                 |             |            |             |      |         |           |              |   |  |  |            |            |         |              |               |               |           |              |       |         |                 |             |            |             |      |    |           |              |
| Bend Height: Y:   | .213 / 5.41        |                        |                    |                        |                 |                    |                        |               |           |              |       |    |                 |             |            |             |      |         |           |              |   |  |  |            |            |         |              |               |               |           |              |       |    |                 |             |            |             |      |         |           |              |   |  |  |            |            |         |              |               |               |           |              |       |         |                 |             |            |             |      |    |           |              |
| PC Tail P:  | .172 / 4.69        |                        |                    |                        |                 |                    |                        |               |           |              |       |    |                 |             |            |             |      |         |           |              |   |  |  |            |            |         |              |               |               |           |              |       |    |                 |             |            |             |      |         |           |              |   |  |  |            |            |         |              |               |               |           |              |       |         |                 |             |            |             |      |    |           |              |
| Tin:  | OVERALL            |                        |                    |                        |                 |                    |                        |               |           |              |       |    |                 |             |            |             |      |         |           |              |   |  |  |            |            |         |              |               |               |           |              |       |    |                 |             |            |             |      |         |           |              |   |  |  |            |            |         |              |               |               |           |              |       |         |                 |             |            |             |      |    |           |              |
| Pack Per:   | PK-41672-001       |                        |                    |                        |                 |                    |                        |               |           |              |       |    |                 |             |            |             |      |         |           |              |   |  |  |            |            |         |              |               |               |           |              |       |    |                 |             |            |             |      |         |           |              |   |  |  |            |            |         |              |               |               |           |              |       |         |                 |             |            |             |      |    |           |              |
| Header No:  | 41186-A-AN         |                        |                    |                        |                 |                    |                        |               |           |              |       |    |                 |             |            |             |      |         |           |              |   |  |  |            |            |         |              |               |               |           |              |       |    |                 |             |            |             |      |         |           |              |   |  |  |            |            |         |              |               |               |           |              |       |         |                 |             |            |             |      |    |           |              |
| Pin No:   | 2161-37(102)       |                        |                    |                        |                 |                    |                        |               |           |              |       |    |                 |             |            |             |      |         |           |              |   |  |  |            |            |         |              |               |               |           |              |       |    |                 |             |            |             |      |         |           |              |   |  |  |            |            |         |              |               |               |           |              |       |         |                 |             |            |             |      |    |           |              |
| Pin Length L:   | 1.100 / 27.90      |                        |                    |                        |                 |                    |                        |               |           |              |       |    |                 |             |            |             |      |         |           |              |   |  |  |            |            |         |              |               |               |           |              |       |    |                 |             |            |             |      |         |           |              |   |  |  |            |            |         |              |               |               |           |              |       |         |                 |             |            |             |      |    |           |              |
| Mating M:   | .450 / 11.43       |                        |                    |                        |                 |                    |                        |               |           |              |       |    |                 |             |            |             |      |         |           |              |   |  |  |            |            |         |              |               |               |           |              |       |    |                 |             |            |             |      |         |           |              |   |  |  |            |            |         |              |               |               |           |              |       |         |                 |             |            |             |      |    |           |              |
| Gold:   | NA                 |                        |                    |                        |                 |                    |                        |               |           |              |       |    |                 |             |            |             |      |         |           |              |   |  |  |            |            |         |              |               |               |           |              |       |    |                 |             |            |             |      |         |           |              |   |  |  |            |            |         |              |               |               |           |              |       |         |                 |             |            |             |      |    |           |              |
| Bend Height: Y:   | .213 / 5.41        |                        |                    |                        |                 |                    |                        |               |           |              |       |    |                 |             |            |             |      |         |           |              |   |  |  |            |            |         |              |               |               |           |              |       |    |                 |             |            |             |      |         |           |              |   |  |  |            |            |         |              |               |               |           |              |       |         |                 |             |            |             |      |    |           |              |
| PC Tail P:  | .212 / 5.38        |                        |                    |                        |                 |                    |                        |               |           |              |       |    |                 |             |            |             |      |         |           |              |   |  |  |            |            |         |              |               |               |           |              |       |    |                 |             |            |             |      |         |           |              |   |  |  |            |            |         |              |               |               |           |              |       |         |                 |             |            |             |      |    |           |              |
| Tin:  | OVERALL            |                        |                    |                        |                 |                    |                        |               |           |              |       |    |                 |             |            |             |      |         |           |              |   |  |  |            |            |         |              |               |               |           |              |       |    |                 |             |            |             |      |         |           |              |   |  |  |            |            |         |              |               |               |           |              |       |         |                 |             |            |             |      |    |           |              |
| Pack Per:   | PK-41672-001       |                        |                    |                        |                 |                    |                        |               |           |              |       |    |                 |             |            |             |      |         |           |              |   |  |  |            |            |         |              |               |               |           |              |       |    |                 |             |            |             |      |         |           |              |   |  |  |            |            |         |              |               |               |           |              |       |         |                 |             |            |             |      |    |           |              |
| Header No:  | 41186-A-AN         |                        |                    |                        |                 |                    |                        |               |           |              |       |    |                 |             |            |             |      |         |           |              |   |  |  |            |            |         |              |               |               |           |              |       |    |                 |             |            |             |      |         |           |              |   |  |  |            |            |         |              |               |               |           |              |       |         |                 |             |            |             |      |    |           |              |
| Pin No:   | 2161-37(501)       |                        |                    |                        |                 |                    |                        |               |           |              |       |    |                 |             |            |             |      |         |           |              |   |  |  |            |            |         |              |               |               |           |              |       |    |                 |             |            |             |      |         |           |              |   |  |  |            |            |         |              |               |               |           |              |       |         |                 |             |            |             |      |    |           |              |
| Pin Length L:   | 1.100 / 27.90      |                        |                    |                        |                 |                    |                        |               |           |              |       |    |                 |             |            |             |      |         |           |              |   |  |  |            |            |         |              |               |               |           |              |       |    |                 |             |            |             |      |         |           |              |   |  |  |            |            |         |              |               |               |           |              |       |         |                 |             |            |             |      |    |           |              |
| Mating M:   | .450 / 11.43       |                        |                    |                        |                 |                    |                        |               |           |              |       |    |                 |             |            |             |      |         |           |              |   |  |  |            |            |         |              |               |               |           |              |       |    |                 |             |            |             |      |         |           |              |   |  |  |            |            |         |              |               |               |           |              |       |         |                 |             |            |             |      |    |           |              |
| Gold:   | OVERALL            |                        |                    |                        |                 |                    |                        |               |           |              |       |    |                 |             |            |             |      |         |           |              |   |  |  |            |            |         |              |               |               |           |              |       |    |                 |             |            |             |      |         |           |              |   |  |  |            |            |         |              |               |               |           |              |       |         |                 |             |            |             |      |    |           |              |
| Bend Height: Y:   | .213 / 5.41        |                        |                    |                        |                 |                    |                        |               |           |              |       |    |                 |             |            |             |      |         |           |              |   |  |  |            |            |         |              |               |               |           |              |       |    |                 |             |            |             |      |         |           |              |   |  |  |            |            |         |              |               |               |           |              |       |         |                 |             |            |             |      |    |           |              |
| PC Tail P:  | .212 / 5.38        |                        |                    |                        |                 |                    |                        |               |           |              |       |    |                 |             |            |             |      |         |           |              |   |  |  |            |            |         |              |               |               |           |              |       |    |                 |             |            |             |      |         |           |              |   |  |  |            |            |         |              |               |               |           |              |       |         |                 |             |            |             |      |    |           |              |
| Tin:  | NA                 |                        |                    |                        |                 |                    |                        |               |           |              |       |    |                 |             |            |             |      |         |           |              |   |  |  |            |            |         |              |               |               |           |              |       |    |                 |             |            |             |      |         |           |              |   |  |  |            |            |         |              |               |               |           |              |       |         |                 |             |            |             |      |    |           |              |
| Pack Per:   | PK-41672-001       |                        |                    |                        |                 |                    |                        |               |           |              |       |    |                 |             |            |             |      |         |           |              |   |  |  |            |            |         |              |               |               |           |              |       |    |                 |             |            |             |      |         |           |              |   |  |  |            |            |         |              |               |               |           |              |       |         |                 |             |            |             |      |    |           |              |
| <b>Ckts</b>   | <b>Material No</b> | <b>Engineer Number</b> | <b>Material No</b> | <b>Engineer Number</b> | <b>Void</b>     | <b>Material No</b> | <b>Engineer Number</b> | <b>Void</b>   |           |              |       |    |                 |             |            |             |      |         |           |              |   |  |  |            |            |         |              |               |               |           |              |       |    |                 |             |            |             |      |         |           |              |   |  |  |            |            |         |              |               |               |           |              |       |         |                 |             |            |             |      |    |           |              |
| 2   | 41672-0176         | A-41672-A02G102        | 026504051          | A-41672-A05A102-51     | 2,4             | 026504121          | A-41672-A12A501-51     | 4,6           |           |              |       |    |                 |             |            |             |      |         |           |              |   |  |  |            |            |         |              |               |               |           |              |       |    |                 |             |            |             |      |         |           |              |   |  |  |            |            |         |              |               |               |           |              |       |         |                 |             |            |             |      |    |           |              |
| 3   | 41672-0177         | A-41672-A03G102        | 41672-0047         | A-41672-A02A102-1      | 1               | 026497063          | A-41672-A06A501-5      | 5             |           |              |       |    |                 |             |            |             |      |         |           |              |   |  |  |            |            |         |              |               |               |           |              |       |    |                 |             |            |             |      |         |           |              |   |  |  |            |            |         |              |               |               |           |              |       |         |                 |             |            |             |      |    |           |              |
| 4   | 41672-0178         | A-41672-A04G102        | 41672-0174         | A-41672-A23A102-51     | 18,20<br>,22    |                    |                        |               |           |              |       |    |                 |             |            |             |      |         |           |              |   |  |  |            |            |         |              |               |               |           |              |       |    |                 |             |            |             |      |         |           |              |   |  |  |            |            |         |              |               |               |           |              |       |         |                 |             |            |             |      |    |           |              |
| 5   | 41672-0179         | A-41672-A05G102        | 026504042          | A-41672-A04A102-02     | 2               |                    |                        |               |           |              |       |    |                 |             |            |             |      |         |           |              |   |  |  |            |            |         |              |               |               |           |              |       |    |                 |             |            |             |      |         |           |              |   |  |  |            |            |         |              |               |               |           |              |       |         |                 |             |            |             |      |    |           |              |
| 6   | 41672-0180         | A-41672-A06G102        | 026504061          | A-41672-A06A102-4      | 4               |                    |                        |               |           |              |       |    |                 |             |            |             |      |         |           |              |   |  |  |            |            |         |              |               |               |           |              |       |    |                 |             |            |             |      |         |           |              |   |  |  |            |            |         |              |               |               |           |              |       |         |                 |             |            |             |      |    |           |              |
| 7   | 41672-0181         | A-41672-A07G102        | 026504043          | A-41672-A04A102-3      | 3               |                    |                        |               |           |              |       |    |                 |             |            |             |      |         |           |              |   |  |  |            |            |         |              |               |               |           |              |       |    |                 |             |            |             |      |         |           |              |   |  |  |            |            |         |              |               |               |           |              |       |         |                 |             |            |             |      |    |           |              |
| 8   | 41672-0182         | A-41672-A08G102        | 026504062          | A-41672-A06A102-5      | 5               |                    |                        |               |           |              |       |    |                 |             |            |             |      |         |           |              |   |  |  |            |            |         |              |               |               |           |              |       |    |                 |             |            |             |      |         |           |              |   |  |  |            |            |         |              |               |               |           |              |       |         |                 |             |            |             |      |    |           |              |
| 9   | 41672-0183         | A-41672-A09G102        | 416720048          | A-41672-A09A102-51     | 2,3,4,<br>6,7,8 |                    |                        |               |           |              |       |    |                 |             |            |             |      |         |           |              |   |  |  |            |            |         |              |               |               |           |              |       |    |                 |             |            |             |      |         |           |              |   |  |  |            |            |         |              |               |               |           |              |       |         |                 |             |            |             |      |    |           |              |
| 10  | 41672-0184         | A-41672-A10G102        | 416720049          | A-41672-A14A102-12     | 12              |                    |                        |               |           |              |       |    |                 |             |            |             |      |         |           |              |   |  |  |            |            |         |              |               |               |           |              |       |    |                 |             |            |             |      |         |           |              |   |  |  |            |            |         |              |               |               |           |              |       |         |                 |             |            |             |      |    |           |              |
| 11  | 41672-0185         | A-41672-A11G102        | 026504102          | A-41672-A10A102-5      | 5               |                    |                        |               |           |              |       |    |                 |             |            |             |      |         |           |              |   |  |  |            |            |         |              |               |               |           |              |       |    |                 |             |            |             |      |         |           |              |   |  |  |            |            |         |              |               |               |           |              |       |         |                 |             |            |             |      |    |           |              |
| 12  | 41672-0186         | A-41672-A12G102        | 026504072          | A-41672-A07A102-2      | 2               |                    |                        |               |           |              |       |    |                 |             |            |             |      |         |           |              |   |  |  |            |            |         |              |               |               |           |              |       |    |                 |             |            |             |      |         |           |              |   |  |  |            |            |         |              |               |               |           |              |       |         |                 |             |            |             |      |    |           |              |
| 13  | 41672-0187         | A-41672-A13G102        | 41672-0175         | A-41672-A11A102-2      | 2               |                    |                        |               |           |              |       |    |                 |             |            |             |      |         |           |              |   |  |  |            |            |         |              |               |               |           |              |       |    |                 |             |            |             |      |         |           |              |   |  |  |            |            |         |              |               |               |           |              |       |         |                 |             |            |             |      |    |           |              |
| 14  | 41672-0188         | A-41672-A14G102        | 41672-0203         | A-41672-A14A102-51     | 2,6,<br>11,13   |                    |                        |               |           |              |       |    |                 |             |            |             |      |         |           |              |   |  |  |            |            |         |              |               |               |           |              |       |    |                 |             |            |             |      |         |           |              |   |  |  |            |            |         |              |               |               |           |              |       |         |                 |             |            |             |      |    |           |              |
| 15  | 41672-0189         | A-41672-A15G102        | 41672-0227         | A-41672-A05A102-2      | 2               |                    |                        |               |           |              |       |    |                 |             |            |             |      |         |           |              |   |  |  |            |            |         |              |               |               |           |              |       |    |                 |             |            |             |      |         |           |              |   |  |  |            |            |         |              |               |               |           |              |       |         |                 |             |            |             |      |    |           |              |
| 16  | 41672-0190         | A-41672-A16G102        |                    |                        |                 |                    |                        |               |           |              |       |    |                 |             |            |             |      |         |           |              |   |  |  |            |            |         |              |               |               |           |              |       |    |                 |             |            |             |      |         |           |              |   |  |  |            |            |         |              |               |               |           |              |       |         |                 |             |            |             |      |    |           |              |
| 17  | 41672-0191         | A-41672-A17G102        |                    |                        |                 |                    |                        |               |           |              |       |    |                 |             |            |             |      |         |           |              |   |  |  |            |            |         |              |               |               |           |              |       |    |                 |             |            |             |      |         |           |              |   |  |  |            |            |         |              |               |               |           |              |       |         |                 |             |            |             |      |    |           |              |
| 18  | 41672-0192         | A-41672-A18G102        |                    |                        |                 |                    |                        |               |           |              |       |    |                 |             |            |             |      |         |           |              |   |  |  |            |            |         |              |               |               |           |              |       |    |                 |             |            |             |      |         |           |              |   |  |  |            |            |         |              |               |               |           |              |       |         |                 |             |            |             |      |    |           |              |
| 19  | 41672-0193         | A-41672-A19G102        |                    |                        |                 |                    |                        |               |           |              |       |    |                 |             |            |             |      |         |           |              |   |  |  |            |            |         |              |               |               |           |              |       |    |                 |             |            |             |      |         |           |              |   |  |  |            |            |         |              |               |               |           |              |       |         |                 |             |            |             |      |    |           |              |
| 20  | 41672-0194         | A-41672-A20G102        |                    |                        |                 |                    |                        |               |           |              |       |    |                 |             |            |             |      |         |           |              |   |  |  |            |            |         |              |               |               |           |              |       |    |                 |             |            |             |      |         |           |              |   |  |  |            |            |         |              |               |               |           |              |       |         |                 |             |            |             |      |    |           |              |
| 21  | 41672-0195         | A-41672-A21G102        |                    |                        |                 |                    |                        |               |           |              |       |    |                 |             |            |             |      |         |           |              |   |  |  |            |            |         |              |               |               |           |              |       |    |                 |             |            |             |      |         |           |              |   |  |  |            |            |         |              |               |               |           |              |       |         |                 |             |            |             |      |    |           |              |
| 22  | 41672-0196         | A-41672-A22G102        |                    |                        |                 |                    |                        |               |           |              |       |    |                 |             |            |             |      |         |           |              |   |  |  |            |            |         |              |               |               |           |              |       |    |                 |             |            |             |      |         |           |              |   |  |  |            |            |         |              |               |               |           |              |       |         |                 |             |            |             |      |    |           |              |
| 23  | 41672-0197         | A-41672-A23G102        |                    |                        |                 |                    |                        |               |           |              |       |    |                 |             |            |             |      |         |           |              |   |  |  |            |            |         |              |               |               |           |              |       |    |                 |             |            |             |      |         |           |              |   |  |  |            |            |         |              |               |               |           |              |       |         |                 |             |            |             |      |    |           |              |
| 24  | 41672-0198         | A-41672-A24G102        |                    |                        |                 |                    |                        |               |           |              |       |    |                 |             |            |             |      |         |           |              |   |  |  |            |            |         |              |               |               |           |              |       |    |                 |             |            |             |      |         |           |              |   |  |  |            |            |         |              |               |               |           |              |       |         |                 |             |            |             |      |    |           |              |

|  |  |  |                                      |
|--|--|--|--------------------------------------|
| <b>REV:</b><br><b>AB4</b>                        | <b>ECR/ECN INFORMATION:</b>                    | <b>TITLE:</b><br><b>KK 156 HEADER ASSEMBLY<br/>FRICTION LOCK BREAKAWAY<br/>RIGHT ANGLE</b> | <b>SHEET No.</b><br><b>- 5 -</b>     |
|  | <b>EC No.:</b> UCP2009-2938                    |  |                                      |
|  | <b>DATE:</b> 6/15/2009                         |  |                                      |
| <b>DOCUMENT NUMBER:</b><br><b>SD- 41672 -001</b> | <b>CREATED / REVISED BY:</b><br><b>MKIPPER</b> | <b>CHECKED BY:</b><br><b>SSOUSEK</b>   | <b>APPROVED BY:</b><br><b>FSMITH</b> |

TEMPLATE FILENAME: PRODUCT\_SPEC(SIZE\_A)(V.1).DOC



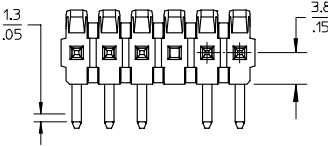






6 5 4 3 2 1

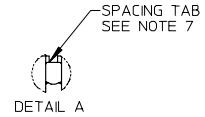
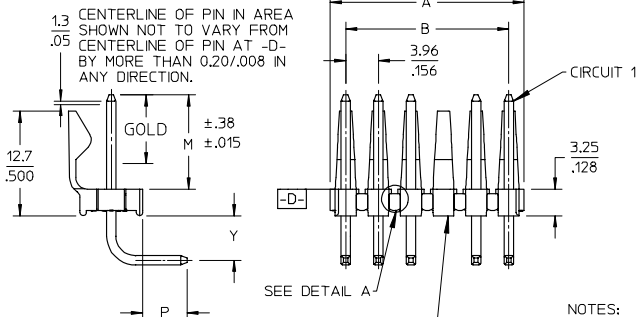
CENTERLINE OF PIN IN AREA SHOWN NOT TO VARY FROM CENTERLINE OF PIN AT -D- BY MORE THAN 0.13/.005 IN ANY DIRECTION.



A-41681- \* N \* \* \*  
 OPTION - PACKING  
 A-BRASS - BULK PACK  
 B-BRASS - TUBE PACK  
 NO OF CKTS  
 DIM M.L.P  
 PLATING  
 VOID LOCATIONS  
 BLANK=NO VOIDS  
 NO=CKT NO VOIDED  
 MULT-VOIDS=51 UP

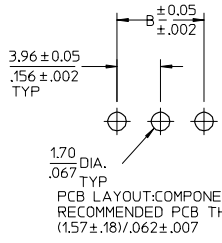
| CIRCUIT | A                          | B              |
|---------|----------------------------|----------------|
| 2       | 6.78/7.87<br>.267/1.310    | 3.96<br>.156   |
| 3       | 10.74/11.84<br>.423/1.466  | 7.92<br>.312   |
| 4       | 14.71/15.80<br>.579/1.622  | 11.89<br>.468  |
| 5       | 18.67/19.76<br>.735/1.778  | 15.85<br>.624  |
| 6       | 22.63/23.72<br>.891/1.934  | 19.81<br>.780  |
| 7       | 26.59/27.69<br>1.047/1.090 | 23.77<br>.936  |
| 8       | 30.56/31.65<br>1.203/1.246 | 27.74<br>1.092 |
| 9       | 34.52/35.61<br>1.359/1.402 | 31.70<br>1.248 |
| 10      | 38.48/39.57<br>1.515/1.558 | 35.66<br>1.404 |
| 11      | 42.44/43.54<br>1.671/1.714 | 39.62<br>1.560 |
| 12      | 46.41/47.50<br>1.827/1.870 | 43.59<br>1.716 |
| 13      | 50.37/51.46<br>1.983/2.026 | 47.55<br>1.872 |
| 14      | 54.33/55.42<br>2.139/2.182 | 51.51<br>2.028 |
| 15      | 58.29/59.39<br>2.295/2.338 | 55.47<br>2.184 |
| 16      | 62.26/63.35<br>2.451/2.494 | 59.44<br>2.340 |
| 17      | 66.22/67.31<br>2.607/2.650 | 63.40<br>2.496 |
| 18      | 70.18/71.27<br>2.763/2.806 | 67.36<br>2.652 |
| 19      | 74.14/75.23<br>2.919/2.962 | 71.32<br>2.808 |
| 20      | 78.11/79.20<br>3.075/3.118 | 75.29<br>2.964 |
| 21      | 82.07/83.16<br>3.231/3.274 | 79.25<br>3.120 |
| 22      | 86.03/87.12<br>3.387/3.430 | 83.21<br>3.276 |
| 23      | 89.94/91.03<br>3.541/3.586 | 87.17<br>3.432 |
| 24      | 93.85/95.00<br>3.695/3.740 | 91.14<br>3.588 |

1.3  
.05  
CENTERLINE OF PIN IN AREA SHOWN NOT TO VARY FROM CENTERLINE OF PIN AT -D- BY MORE THAN 0.20/.008 IN ANY DIRECTION.



OPTIONAL VOIDED CKT.  
 SEE CHART FOR LOCATIONS

- NOTES:  
 1. MATERIAL: HEADER: POLYESTER, 94V-0. MOLDED BLACK  
 2. FINISH:  
 (228) SELECT GOLD: 0.00076/.00030 MIN.  
 \*SELECT TIN: 0.00254/.000100 MIN.  
 OVERALL NICKEL UNDERPLATE: 0.00127/.000050 MIN.  
 \*THE PRIMARY SHIPPING CARTON WILL BE LABELED "COMPLIANT TO ROHS DIRECTIVE 2002/95/EC AND ELV ANNEX II OF DIRECTIVE 2000/53/EC". CARTONS WITHOUT THIS LABEL MAY CONTAIN PRODUCT WITH TIN/LEAD PLATINGS.  
 3. PRODUCT SPECIFICATION: PS-08-50.  
 4. PACKAGING INFORMATION: SEE CHARTS  
 5. SOLDERABILITY: PER SMES-152.  
 6. PIN PUSH-OUT FORCE: PRIOR TO SOLDERING, A 3 LB. MINIMUM FORCE IN EITHER DIRECTION SHALL BE REQUIRED TO PUSH THE PIN OUT OF THE HEADER.  
 7. PARTS ARE STACKABLE END TO END ON 3.96/.156 CENTERS. SPACING TABS MUST BE REMOVED ON CIRCUIT SIZES 1-23 BEFORE PARTS ARE STACKABLE.



| ADD DIMENSION  |     | QUALITY SYMBOLS | GENERAL TOLERANCES (UNLESS SPECIFIED)   | DIMENSION STYLE  | SCALE  | DESIGN UNITS                | THIRD ANGLE PROJECTION  |   |
|--|-----|-----------------|---|--|--|-----------------------------|---|---|
| 2-*  | A1  |                 |   |  |  |                             |   |   |
| 1  | A2  | ▽=0<br>▽=0      | 4 PLACES ± --- ± ---<br>3 PLACES ± --- ± .010<br>2 PLACES ± 0.25 ± .015<br>1 PLACE ± 0.38 ± ---<br>ANGULAR ± 1/2° | MM/IN  | 2:1  | INCH                        | KK .156 HEADER ASSEMBLY<br>FRICTION LOCK BREAKAWAY<br>RIGHT ANGLE (LEAD-FREE) |   |
| SHEET  | REV |                 | DRAFT WHERE APPLICABLE<br>MUST REMAIN<br>WITHIN DIMENSIONS  | DRAWN BY JSCHAFFER<br>CHECKED BY KSAMIEC<br>APPROVED BY MARGULIS | DATE 12-5-03<br>DATE 12-12-03<br>DATE 12-16-03 | TITLE<br>MOLEX INCORPORATED |   | SHEET NO.<br>1 OF *   |
| ADD DIMENSION<br>EC NO: UCP2006-2296<br>DRW/PRI/ODER 2006/04/27<br>CHKD/ABERR 2006/04/28<br>APPR:FSMITH 2006/04/28 |     | DESCRIPTION     | MATERIAL NO. SEE CHART<br>DOCUMENT NO. SD-41672-002   |  |  |                             |   | THIS DRAWING CONTAINS INFORMATION THAT IS PROPRIETARY TO MOLEX INCORPORATED AND SHOULD NOT BE USED WITHOUT WRITTEN PERMISSION |

tb\_frame\_A\_P\_AM\_T  
 Rev. D 2004/06/28

5 4 3 2 1

| Ckts | Material No | Engineer Number | Material No | Engineer Number | Material No | Engineer Number | Material No | Engineer Number |
|------|-------------|-----------------|-------------|-----------------|-------------|-----------------|-------------|-----------------|
| 2    |             |                 |             |                 |             |                 |             |                 |
| 3    |             |                 |             |                 |             |                 |             |                 |
| 4    |             |                 |             |                 |             |                 |             |                 |
| 5    |             |                 |             |                 |             |                 |             |                 |
| 6    | 50-29-1898  | A-41672-B06A228 |             |                 |             |                 |             |                 |
| 7    |             |                 |             |                 |             |                 |             |                 |
| 8    |             |                 |             |                 |             |                 |             |                 |
| 9    |             |                 |             |                 |             |                 |             |                 |
| 10   |             |                 |             |                 |             |                 |             |                 |
| 11   |             |                 |             |                 |             |                 |             |                 |
| 12   |             |                 |             |                 |             |                 |             |                 |
| 13   |             |                 |             |                 |             |                 |             |                 |
| 14   |             |                 |             |                 |             |                 |             |                 |
| 15   |             |                 |             |                 |             |                 |             |                 |
| 16   |             |                 |             |                 |             |                 |             |                 |
| 17   |             |                 |             |                 |             |                 |             |                 |
| 18   |             |                 |             |                 |             |                 |             |                 |
| 19   |             |                 |             |                 |             |                 |             |                 |
| 20   |             |                 |             |                 |             |                 |             |                 |
| 21   |             |                 |             |                 |             |                 |             |                 |
| 22   |             |                 |             |                 |             |                 |             |                 |
| 23   |             |                 |             |                 |             |                 |             |                 |
| 24   |             |                 |             |                 |             |                 |             |                 |

|                |               |
|----------------|---------------|
| Header No:     | 41186-A-AN    |
| Pin No:        | 43294-0570    |
| Pin Length L   | 1.100 / 27.90 |
| Mating M       | .450 / 11.43  |
| Gold:          | .270 / 6.86   |
| Bend Height: Y | .213 / 5.41   |
| PC Tail P      | .212 / 5.38   |
| Tin:           | .200 / 5.08   |
| Pack Per       | PK-41672-001  |

|                |  |
|----------------|--|
| Header No:     |  |
| Pin No:        |  |
| Pin Length L   |  |
| Mating M       |  |
| Gold:          |  |
| Bend Height: Y |  |
| PC Tail P      |  |
| Tin:           |  |
| Pack Per       |  |

|                |  |
|----------------|--|
| Header No:     |  |
| Pin No:        |  |
| Pin Length L   |  |
| Mating M       |  |
| Gold:          |  |
| Bend Height: Y |  |
| PC Tail P      |  |
| Tin:           |  |
| Pack Per       |  |

|                |  |
|----------------|--|
| Header No:     |  |
| Pin No:        |  |
| Pin Length L   |  |
| Mating M       |  |
| Gold:          |  |
| Bend Height: Y |  |
| PC Tail P      |  |
| Tin:           |  |
| Pack Per       |  |

|           |  |   |   |                               |
|-----------|--|---|---|-------------------------------|
| <b>A1</b> | REV: <b>A1</b>                                   | ECR/ECN INFORMATION:<br>EC No.: <b>UCP2006-1776</b><br>DATE: <b>4/11/2006</b> | TITLE:<br><b>KK 156 HEADER ASSEMBLY<br/>FRICTION LOCK BREAKAWAY<br/>RIGHT ANGLE (LEAD-FREE)</b> | SHEET No.<br><b>- 2 -</b>     |
|           | DOCUMENT NUMBER:<br><b>SD- 41672 -002</b>        | CREATED / REVISED BY:<br><b>ADERR</b>   | CHECKED BY:<br><b>SSOUSEK</b>   | APPROVED BY:<br><b>FSMITH</b> |
|           | TEMPLATE FILENAME: PRODUCT_SPEC(SIZE_A)(V.1).DOC |   |   |                               |