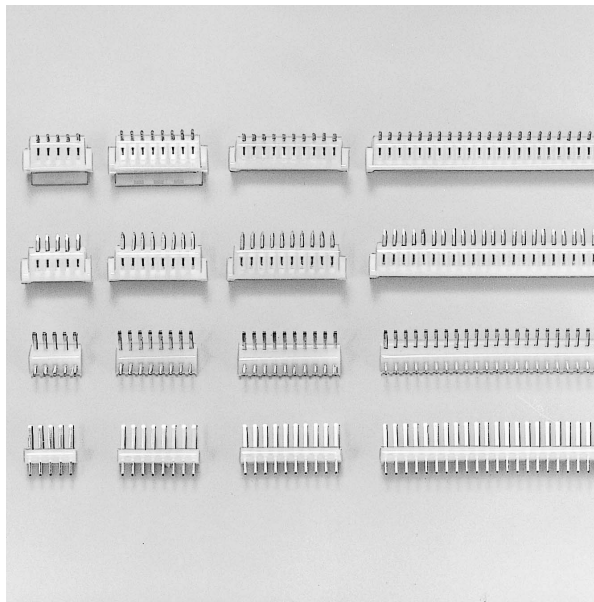
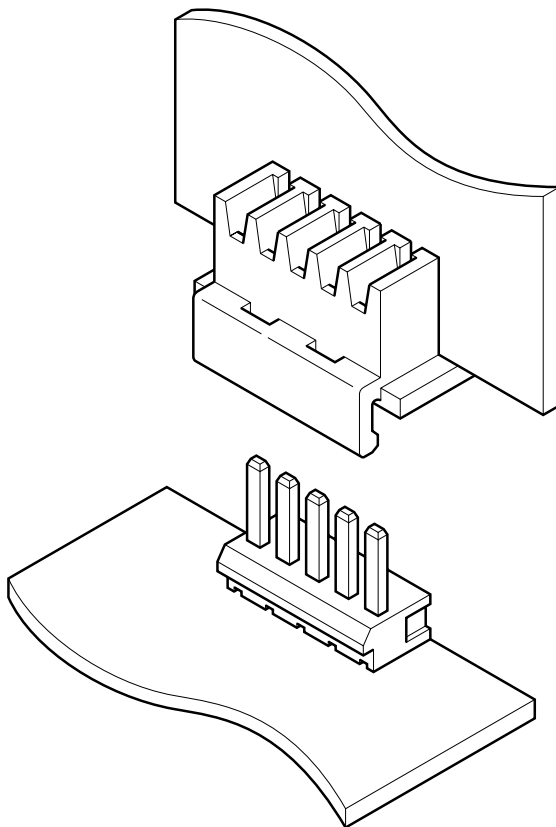


# HVQ CONNECTOR

Board-to-board connectors



**This 2.5mm pitch connector is used to interconnect printed circuit boards in parallel, vertically or horizontally.**



## Features

### • Superior folded beam construction

- (1) This sturdy construction withstands repeated stress, resists permanent deformation, and offers a very long service life.
- (2) This contact design has a large tolerance for variations in mating post thickness and resists deformation when pried.

### • Wide, sturdy post

The post has a large cross-sectional area to resist prying during insertion into printed circuit boards and mating with connector housings.

### • Molded-in header

The posts are molded into the insulator to provide stability when mounted on printed circuit boards. This also prevents flux from entering the connector during soldering.

## Specifications

- Current rating: 3A AC, DC
- Voltage rating: 250V AC, DC
- Temperature range: -25°C to +85°C  
(including temperature rise in applying electrical current)
- Contact resistance: Initial value/10m Ω max.  
After environmental testing/20m Ω max.
- Insulation resistance: 500M Ω min.
- Withstanding voltage: 1,500V AC/minute
- Applicable PC board thickness: 1.6mm
- \* Compliant with RoHS.
- \* Refer to "General Instruction and Notice when using Terminals and Connectors" at the end of this catalog.
- \* Contact JST for details.

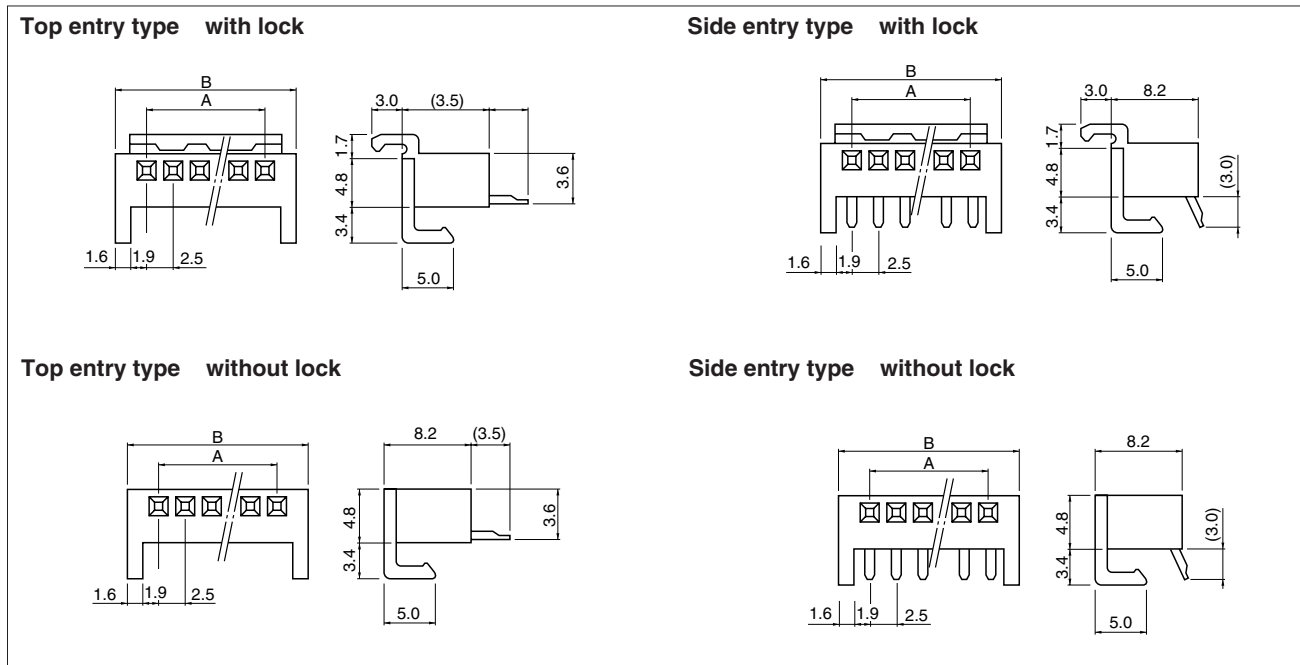
## Standards

Recognized E60389

Certified LR20812

# HVQ CONNECTOR

## Receptacle



Cir- cuits	Model No.				Dimensions (mm)		Q'ty / box	
	Top entry type		Side entry type		A	B	With lock	Without lock
	With lock	Without lock	With lock	Without lock				
3	–	<b>F 3P-HVQ</b>	–	<b>F 3P-SHVQ</b>	5.0	12.0	–	500
4	–	<b>F 4P-HVQ</b>	–	<b>F 4P-SHVQ</b>	7.5	14.5	–	500
5	<b>5P-HVQ</b>	<b>F 5P-HVQ</b>	<b>5P-SHVQ</b>	<b>F 5P-SHVQ</b>	10.0	17.0	250	250
6	<b>6P-HVQ</b>	<b>F 6P-HVQ</b>	<b>6P-SHVQ</b>	<b>F 6P-SHVQ</b>	12.5	19.5	250	250
7	<b>7P-HVQ</b>	<b>F 7P-HVQ</b>	<b>7P-SHVQ</b>	<b>F 7P-SHVQ</b>	15.0	22.0	200	250
8	<b>8P-HVQ</b>	<b>F 8P-HVQ</b>	<b>8P-SHVQ</b>	<b>F 8P-SHVQ</b>	17.5	24.5	200	200
9	<b>9P-HVQ</b>	<b>F 9P-HVQ</b>	<b>9P-SHVQ</b>	<b>F 9P-SHVQ</b>	20.0	27.0	200	200
10	<b>10P-HVQ</b>	<b>F10P-HVQ</b>	<b>10P-SHVQ</b>	<b>F10P-SHVQ</b>	22.5	29.5	100	200
11	<b>11P-HVQ</b>	<b>F11P-HVQ</b>	<b>11P-SHVQ</b>	<b>F11P-SHVQ</b>	25.0	32.0	100	150
12	<b>12P-HVQ</b>	<b>F12P-HVQ</b>	<b>12P-SHVQ</b>	<b>F12P-SHVQ</b>	27.5	34.5	100	150
13	–	<b>F13P-HVQ</b>	–	<b>F13P-SHVQ</b>	30.0	37.0	–	100
14	–	<b>F14P-HVQ</b>	–	<b>F14P-SHVQ</b>	32.5	39.5	–	100
15	–	<b>F15P-HVQ</b>	–	<b>F15P-SHVQ</b>	35.0	42.0	–	100
16	–	<b>F16P-HVQ</b>	–	<b>F16P-SHVQ</b>	37.5	44.5	–	100
17	–	<b>F17P-HVQ</b>	–	<b>F17P-SHVQ</b>	40.0	47.0	–	100
18	–	<b>F18P-HVQ</b>	–	<b>F18P-SHVQ</b>	42.5	49.5	–	100
19	–	<b>F19P-HVQ</b>	–	<b>F19P-SHVQ</b>	45.0	52.0	–	100
20	–	<b>F20P-HVQ</b>	–	<b>F20P-SHVQ</b>	47.5	54.5	–	100
21	–	<b>F21P-HVQ</b>	–	<b>F21P-SHVQ</b>	50.0	57.0	–	100
22	–	<b>F22P-HVQ</b>	–	<b>F22P-SHVQ</b>	52.5	59.5	–	100
23	–	<b>F23P-HVQ</b>	–	<b>F23P-SHVQ</b>	55.0	62.0	–	100
24	–	<b>F24P-HVQ</b>	–	<b>F24P-SHVQ</b>	57.5	64.5	–	100
25	–	<b>F25P-HVQ</b>	–	<b>F25P-SHVQ</b>	60.0	67.0	–	100

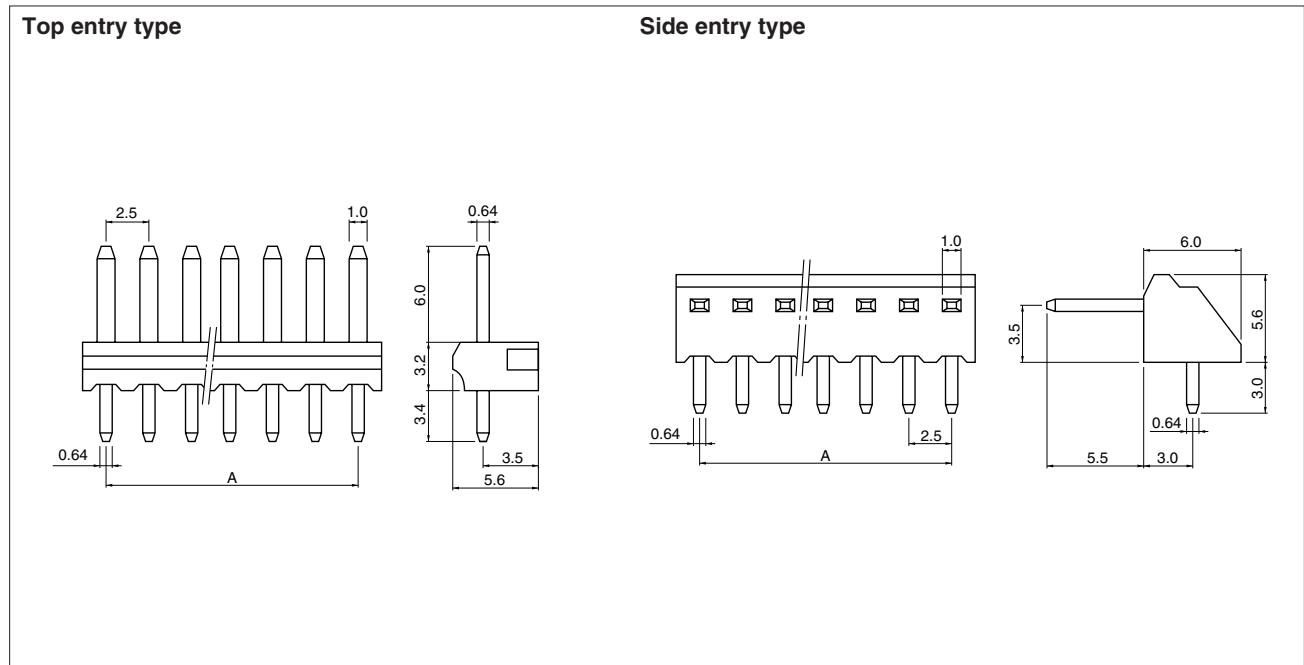
### Material and Finish

Contact: Brass, tin-plated (reflow treatment)  
Housing: PA 66, UL94V-2, natural

RoHS compliance

2 **JST**

## Shrouded header



Cir- cuits	Model No.		Dimensions A (mm)	Q'ty / box	
	Top entry type	Side entry type		Top entry type	Side entry type
3	B 3P-SHF-1AA	BS 3P-SHF-1AA	5.0	1,000	1,000
4	B 4P-SHF-1AA	BS 4P-SHF-1AA	7.5	1,000	1,000
5	B 5P-SHF-1AA	BS 5P-SHF-1AA	10.0	1,000	1,000
6	B 6P-SHF-1AA	BS 6P-SHF-1AA	12.5	1,000	1,000
7	B 7P-SHF-1AA	BS 7P-SHF-1AA	15.0	500	500
8	B 8P-SHF-1AA	BS 8P-SHF-1AA	17.5	500	500
9	B 9P-SHF-1AA	BS 9P-SHF-1AA	20.0	500	500
10	B10P-SHF-1AA	BS10P-SHF-1AA	22.5	500	500
11	B11P-SHF-1AA	BS11P-SHF-1AA	25.0	500	500
12	B12P-SHF-1AA	BS12P-SHF-1AA	27.5	250	200
13	B13P-SHF-1AA	BS13P-SHF-1AA	30.0	250	200
14	B14P-SHF-1AA	BS14P-SHF-1AA	32.5	250	200
15	B15P-SHF-1AA	BS15P-SHF-1AA	35.0	250	200
16	B16P-SHF-1AA	BS16P-SHF-1AA	37.5	250	200
17	B17P-SHF-1AA	BS17P-SHF-1AA	40.0	250	200
18	B18P-SHF-1AA	BS18P-SHF-1AA	42.5	250	200
19	B19P-SHF-1AA	BS19P-SHF-1AA	45.0	250	200
20	B20P-SHF-1AA	BS20P-SHF-1AA	47.5	250	200
21	B21P-SHF-1AA	BS21P-SHF-1AA	50.0	250	200
22	B22P-SHF-1AA	BS22P-SHF-1AA	52.5	250	200
23	B23P-SHF-1AA	BS23P-SHF-1AA	55.0	250	200
24	B24P-SHF-1AA	BS24P-SHF-1AA	57.5	250	200
25	B25P-SHF-1AA	BS25P-SHF-1AA	60.0	250	200

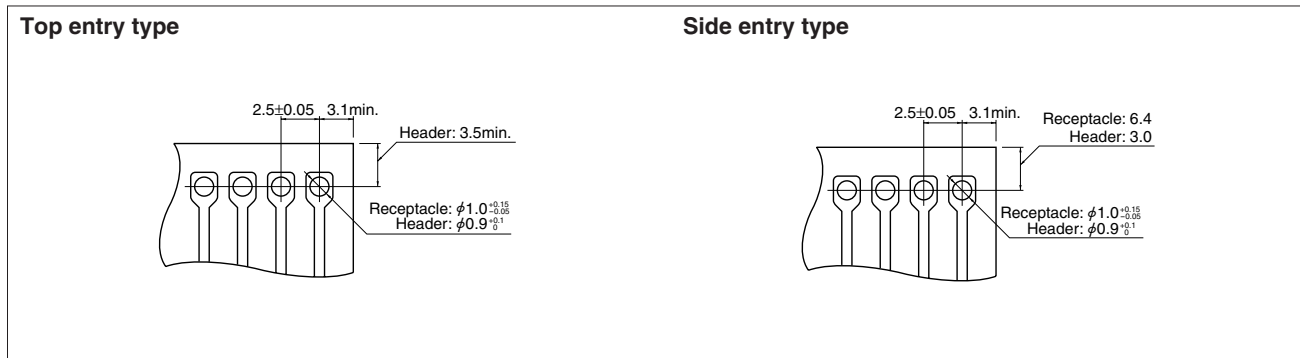
### Material and Finish

Post: Brass copper-undercoated, tin-plated (reflow treatment)  
Base: PA 66, UL94V-0, natural

**RoHS compliance** This product displays (LF)(SN) on a label.

# HVQ CONNECTOR

## PC board layout (viewed from soldering side)



Note:

1. Tolerances are non-cumulative:  $\pm 0.05\text{mm}$  for all centers.

2. Hole dimensions differ according to the kind of PC board and piercing method. The dimensions above should serve as a guideline. Contact JST for details.

## Assembly layout

