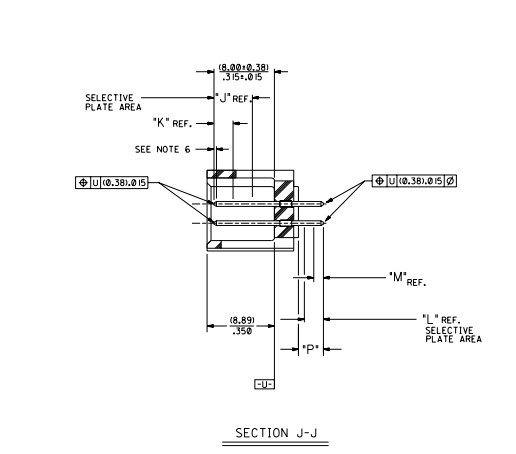
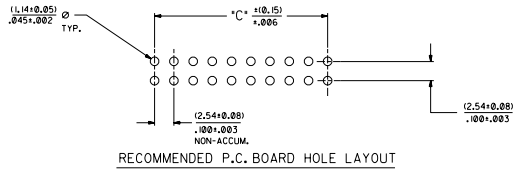
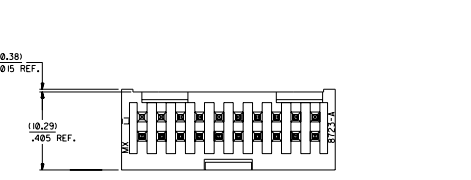
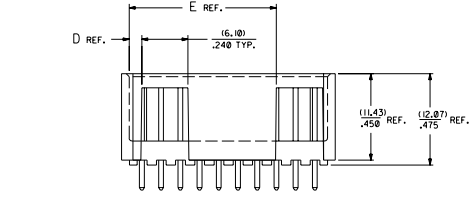
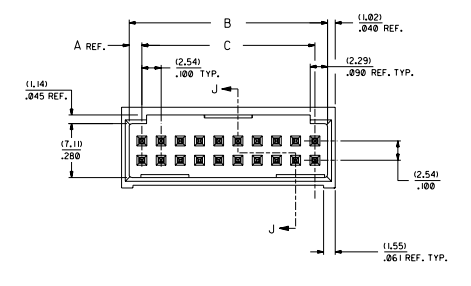
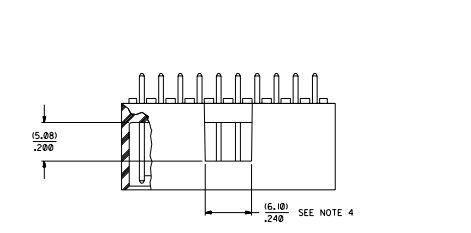


20 19 18 17 16 15 14 13 12 11 10 9 8 7 6 5 4 3 2 1



**NOTES:**

- 20 CIRCUIT SIZE SHOWN FOR ILLUSTRATION PURPOSES.
- PIN PUSHOUT FORCE(17.79 N/4 LBS.
- PINS MUST MEET SOLDERABILITY SPEC. MIL-STD-202 METHOD 208B.
- WINDOW NOT AVAILABLE ON G AND B CIRCUIT SIZE.
- FOR CHARTED DIMENSIONS AND ASSEMBLY N.O.S NOT SHOWN ON THIS SHEET - SEE SHEET 2.
- ROW TO ROW PIN HEIGHT VARIATION MUST NOT EXCEED (0.13)±0.005 IN.
- PRODUCT CONFORMS TO PS-8723.

**MATERIAL:**

SHROUDED WAFER: GLASS FILLED POLYESTER, 94V-0; COLOR: BLACK.  
PINS: PHOSPHOR BRONZE.  
SEE SHEET 2 FOR FINISHES.

**ASSEMBLY STYLE "A" AND "B"**

CKT.	DIM. "A"	DIM. "B"	DIM. "C"	DIM. "D"	DIM. "E"
06	(1.68) ±0.066	(8.43) ±0.332	(5.08) ±0.200	(1.68) ±0.066	
08	(1.68) ±0.066	(10.97) ±0.432	(7.62) ±0.300	(1.68) ±0.066	
10	(1.68) ±0.066	(13.51) ±0.512	(10.16) ±0.400	(1.68) ±0.066	
12	(1.68) ±0.066	(16.05) ±0.612	(12.70) ±0.500	(1.68) ±0.066	
14	(1.68) ±0.066	(18.59) ±0.712	(15.24) ±0.560	(1.68) ±0.066	
16	(1.68) ±0.066	(21.13) ±0.812	(17.78) ±0.660	(1.68) ±0.066	
18	(1.68) ±0.066	(23.67) ±0.912	(20.32) ±0.760	(1.68) ±0.066	
20	(1.68) ±0.066	(26.21) ±1.012	(22.86) ±0.860	(1.68) ±0.066	
22	(1.68) ±0.066	(28.75) ±1.112	(25.40) ±0.960	(1.68) ±0.066	
24	(1.68) ±0.066	(31.29) ±1.212	(27.94) ±1.060	(1.68) ±0.066	
26	(1.68) ±0.066	(33.83) ±1.312	(30.48) ±1.160	(1.68) ±0.066	
28	(1.68) ±0.066	(36.37) ±1.412	(33.02) ±1.260	(1.68) ±0.066	
30	(1.68) ±0.066	(38.91) ±1.512	(35.56) ±1.360	(1.68) ±0.066	
32	(1.68) ±0.066	(41.45) ±1.612	(38.10) ±1.460	(1.68) ±0.066	
34	(1.68) ±0.066	(43.99) ±1.712	(40.64) ±1.560	(1.68) ±0.066	
36	(1.68) ±0.066	(46.53) ±1.812	(43.18) ±1.660	(1.68) ±0.066	
38	(1.68) ±0.066	(49.07) ±1.912	(45.72) ±1.760	(1.68) ±0.066	
40	(1.68) ±0.066	(51.61) ±2.012	(48.26) ±1.860	(1.68) ±0.066	
42	(1.68) ±0.066	(54.15) ±2.112	(50.80) ±1.960	(1.68) ±0.066	
44	(1.68) ±0.066	(56.69) ±2.212	(53.34) ±2.060	(1.68) ±0.066	
46	(1.68) ±0.066	(59.23) ±2.312	(55.88) ±2.160	(1.68) ±0.066	
48	(1.68) ±0.066	(61.77) ±2.412	(58.42) ±2.260	(1.68) ±0.066	
50	(1.68) ±0.066	(64.31) ±2.512	(60.96) ±2.360	(1.68) ±0.066	
52	(1.68) ±0.066	(66.85) ±2.612	(63.50) ±2.460	(1.68) ±0.066	
54	(1.68) ±0.066	(69.39) ±2.712	(66.04) ±2.560	(1.68) ±0.066	
56	(1.68) ±0.066	(71.93) ±2.812	(68.58) ±2.660	(1.68) ±0.066	
58	(1.68) ±0.066	(74.47) ±2.912	(71.12) ±2.760	(1.68) ±0.066	
60	(1.68) ±0.066	(77.01) ±3.012	(73.66) ±2.860	(1.68) ±0.066	
62	(1.68) ±0.066	(79.55) ±3.112	(76.20) ±2.960	(1.68) ±0.066	
64	(1.68) ±0.066	(82.09) ±3.212	(78.74) ±3.060	(1.68) ±0.066	
66	(1.68) ±0.066	(84.63) ±3.312	(81.28) ±3.160	(1.68) ±0.066	
68	(1.68) ±0.066	(87.17) ±3.412	(83.82) ±3.260	(1.68) ±0.066	
70	(1.68) ±0.066	(89.71) ±3.512	(86.36) ±3.360	(1.68) ±0.066	
72	(1.68) ±0.066	(92.25) ±3.612	(88.90) ±3.460	(1.68) ±0.066	

REVISIONS

7	U	ADD -0803 OPT
6	T	LEAD FREE
5	S	PL WHITE 04/04/26
4	I	ADD -0803 OPTION
3	R2	TAB DIF. DIM. & CR
2	R1	FOR USE WITH 0803
1	W	ADDED SHEET 1 TO
	G	FORMER SUP. MFG
	O	FOR USE WITH 0803
	C	REVISED A REGRAN
	B	FOR USE WITH 0803
	A	REVISED A REGRAN

SALES ASSEMBLY  
WAFER: STRAIGHT MI-FULLY SHROUDED  
+100 GRID-FOR USE W/ 025 SQ. PINS  
WITH 0803 END WALLS  
MOLEX INCORPORATED  
SEE CHART SDA-8723-\*\*\*\*\*  
REV. 4:1

20 19 18 17 16 15 14 13 12 11 10 9 8 7 6 5 4 3 2 1

NO. OF CATS	TIN		TIN		IS GOLD		IS GOLD		30 GOLD		30 GOLD		50 GOLD		50 GOLD	
	EDP NUMBER	ENG NUMBER	EDP NUMBER	ENG NUMBER	EDP NUMBER	ENG NUMBER	EDP NUMBER	ENG NUMBER	EDP NUMBER	ENG NUMBER	EDP NUMBER	ENG NUMBER	EDP NUMBER	ENG NUMBER	EDP NUMBER	ENG NUMBER
06	15-42-6006	A-8723-06A164	15-42-6106	A-8723-06B164	15-29-6006	A-8723-06A571	15-29-6106	A-8723-06B571	15-41-7006	A-8723-06A574	15-41-7106	A-8723-06B574	A-8723-06A596	A-8723-06B596		
08	15-42-6008	A-8723-08A164	15-42-6108	A-8723-08B164	15-29-6008	A-8723-08A571	15-29-6108	A-8723-08B571	15-41-7008	A-8723-08A574	15-41-7108	A-8723-08B574	A-8723-08A596	A-8723-08B596		
10	15-42-6010	A-8723-10A164	15-42-6110	A-8723-10B164	15-29-6010	A-8723-10A571	15-29-6110	A-8723-10B571	15-41-7010	A-8723-10A574	15-41-7110	A-8723-10B574	A-8723-10A596	A-8723-10B596		
12	15-42-6012	A-8723-12A164	15-42-6112	A-8723-12B164	15-29-6012	A-8723-12A571	15-29-6112	A-8723-12B571	15-41-7012	A-8723-12A574	15-41-7112	A-8723-12B574	A-8723-12A596	A-8723-12B596		
14	15-42-6014	A-8723-14A164	15-42-6114	A-8723-14B164	15-29-6014	A-8723-14A571	15-29-6114	A-8723-14B571	15-41-7014	A-8723-14A574	15-41-7114	A-8723-14B574	A-8723-14A596	A-8723-14B596		
16	15-42-6016	A-8723-16A164	15-42-6116	A-8723-16B164	15-29-6016	A-8723-16A571	15-29-6116	A-8723-16B571	15-41-7016	A-8723-16A574	15-41-7116	A-8723-16B574	A-8723-16A596	A-8723-16B596		
18	15-42-6018	A-8723-18A164	15-42-6118	A-8723-18B164	15-29-6018	A-8723-18A571	15-29-6118	A-8723-18B571	15-41-7018	A-8723-18A574	15-41-7118	A-8723-18B574	A-8723-18A596	A-8723-18B596		
20	15-42-6020	A-8723-20A164	15-42-6120	A-8723-20B164	15-29-6020	A-8723-20A571	15-29-6120	A-8723-20B571	15-41-7020	A-8723-20A574	15-41-7120	A-8723-20B574	A-8723-20A596	A-8723-20B596		
22	15-42-6022	A-8723-22A164	15-42-6122	A-8723-22B164	15-29-6022	A-8723-22A571	15-29-6122	A-8723-22B571	15-41-7022	A-8723-22A574	15-41-7122	A-8723-22B574	A-8723-22A596	A-8723-22B596		
24	15-42-6024	A-8723-24A164	15-42-6124	A-8723-24B164	15-29-6024	A-8723-24A571	15-29-6124	A-8723-24B571	15-41-7024	A-8723-24A574	15-41-7124	A-8723-24B574	A-8723-24A596	A-8723-24B596		
26	15-42-6026	A-8723-26A164	15-42-6126	A-8723-26B164	15-29-6026	A-8723-26A571	15-29-6126	A-8723-26B571	15-41-7026	A-8723-26A574	15-41-7126	A-8723-26B574	A-8723-26A596	A-8723-26B596		
28	15-42-6028	A-8723-28A164	15-42-6128	A-8723-28B164	15-29-6028	A-8723-28A571	15-29-6128	A-8723-28B571	15-41-7028	A-8723-28A574	15-41-7128	A-8723-28B574	A-8723-28A596	A-8723-28B596		
30	15-42-6030	A-8723-30A164	15-42-6130	A-8723-30B164	15-29-6030	A-8723-30A571	15-29-6130	A-8723-30B571	15-41-7030	A-8723-30A574	15-41-7130	A-8723-30B574	A-8723-30A596	A-8723-30B596		
32	15-42-6032	A-8723-32A164	15-42-6132	A-8723-32B164	15-29-6032	A-8723-32A571	15-29-6132	A-8723-32B571	15-41-7032	A-8723-32A574	15-41-7132	A-8723-32B574	A-8723-32A596	A-8723-32B596		
34	15-42-6034	A-8723-34A164	15-42-6134	A-8723-34B164	15-29-6034	A-8723-34A571	15-29-6134	A-8723-34B571	15-41-7034	A-8723-34A574	15-41-7134	A-8723-34B574	A-8723-34A596	A-8723-34B596		
36	15-42-6036	A-8723-36A164	15-42-6136	A-8723-36B164	15-29-6036	A-8723-36A571	15-29-6136	A-8723-36B571	15-41-7036	A-8723-36A574	15-41-7136	A-8723-36B574	A-8723-36A596	A-8723-36B596		
38	15-42-6038	A-8723-38A164	15-42-6138	A-8723-38B164	15-29-6038	A-8723-38A571	15-29-6138	A-8723-38B571	15-41-7038	A-8723-38A574	15-41-7138	A-8723-38B574	A-8723-38A596	A-8723-38B596		
40	15-42-6040	A-8723-40A164	15-42-6140	A-8723-40B164	15-29-6040	A-8723-40A571	15-29-6140	A-8723-40B571	15-41-7040	A-8723-40A574	15-41-7140	A-8723-40B574	A-8723-40A596	A-8723-40B596		
42	15-42-6042	A-8723-42A164	15-42-6142	A-8723-42B164	15-29-6042	A-8723-42A571	15-29-6142	A-8723-42B571	15-41-7042	A-8723-42A574	15-41-7142	A-8723-42B574	A-8723-42A596	A-8723-42B596		
44	15-42-6044	A-8723-44A164	15-42-6144	A-8723-44B164	15-29-6044	A-8723-44A571	15-29-6144	A-8723-44B571	15-41-7044	A-8723-44A574	15-41-7144	A-8723-44B574	A-8723-44A596	A-8723-44B596		
46	15-42-6046	A-8723-46A164	15-42-6146	A-8723-46B164	15-29-6046	A-8723-46A571	15-29-6146	A-8723-46B571	15-41-7046	A-8723-46A574	15-41-7146	A-8723-46B574	A-8723-46A596	A-8723-46B596		
48	15-42-6048	A-8723-48A164	15-42-6148	A-8723-48B164	15-29-6048	A-8723-48A571	15-29-6148	A-8723-48B571	15-41-7048	A-8723-48A574	15-41-7148	A-8723-48B574	A-8723-48A596	A-8723-48B596		
50	15-42-6050	A-8723-50A164	15-42-6150	A-8723-50B164	15-29-6050	A-8723-50A571	15-29-6150	A-8723-50B571	15-41-7050	A-8723-50A574	15-41-7150	A-8723-50B574	A-8723-50A596	A-8723-50B596		
52	15-42-6052	A-8723-52A164	15-42-6152	A-8723-52B164	15-29-6052	A-8723-52A571	15-29-6152	A-8723-52B571	15-41-7052	A-8723-52A574	15-41-7152	A-8723-52B574	A-8723-52A596	A-8723-52B596		
54	15-42-6054	A-8723-54A164	15-42-6154	A-8723-54B164	15-29-6054	A-8723-54A571	15-29-6154	A-8723-54B571	15-41-7054	A-8723-54A574	15-41-7154	A-8723-54B574	A-8723-54A596	A-8723-54B596		
56	15-42-6056	A-8723-56A164	15-42-6156	A-8723-56B164	15-29-6056	A-8723-56A571	15-29-6156	A-8723-56B571	15-41-7056	A-8723-56A574	15-41-7156	A-8723-56B574	A-8723-56A596	A-8723-56B596		
58	15-42-6058	A-8723-58A164	15-42-6158	A-8723-58B164	15-29-6058	A-8723-58A571	15-29-6158	A-8723-58B571	15-41-7058	A-8723-58A574	15-41-7158	A-8723-58B574	A-8723-58A596	A-8723-58B596		
60	15-42-6060	A-8723-60A164	15-42-6160	A-8723-60B164	15-29-6060	A-8723-60A571	15-29-6160	A-8723-60B571	15-41-7060	A-8723-60A574	15-41-7160	A-8723-60B574	A-8723-60A596	A-8723-60B596		
62	15-42-6062	A-8723-62A164	15-42-6162	A-8723-62B164	15-29-6062	A-8723-62A571	15-29-6162	A-8723-62B571	15-41-7062	A-8723-62A574	15-41-7162	A-8723-62B574	A-8723-62A596	A-8723-62B596		
64	15-42-6064	A-8723-64A164	15-42-6164	A-8723-64B164	15-29-6064	A-8723-64A571	15-29-6164	A-8723-64B571	15-41-7064	A-8723-64A574	15-41-7164	A-8723-64B574	A-8723-64A596	A-8723-64B596		
66	15-42-6066	A-8723-66A164	15-42-6166	A-8723-66B164	15-29-6066	A-8723-66A571	15-29-6166	A-8723-66B571	15-41-7066	A-8723-66A574	15-41-7166	A-8723-66B574	A-8723-66A596	A-8723-66B596		
68	15-42-6068	A-8723-68A164	15-42-6168	A-8723-68B164	15-29-6068	A-8723-68A571	15-29-6168	A-8723-68B571	15-41-7068	A-8723-68A574	15-41-7168	A-8723-68B574	A-8723-68A596	A-8723-68B596		
70	15-42-6070	A-8723-70A164	15-42-6170	A-8723-70B164	15-29-6070	A-8723-70A571	15-29-6170	A-8723-70B571	15-41-7070	A-8723-70A574	15-41-7170	A-8723-70B574	A-8723-70A596	A-8723-70B596		
72	15-42-6072	A-8723-72A164	15-42-6172	A-8723-72B164	15-29-6072	A-8723-72A571	15-29-6172	A-8723-72B571	15-41-7072	A-8723-72A574	15-41-7172	A-8723-72B574	A-8723-72A596	A-8723-72B596		

REVISE ONLY ON CAD SYSTEM  
 WAFER-STRAIGHT MT. FULLY SHROUDED  
 .100 GRID-FOR USE IN .0025 SQ. PINS  
 WITH .008 END RAILS  
 MOLEX INCORPORATED  
 SEE CHART SDA-8723-\*\*\*\*\*  
 DATE 192/07/17