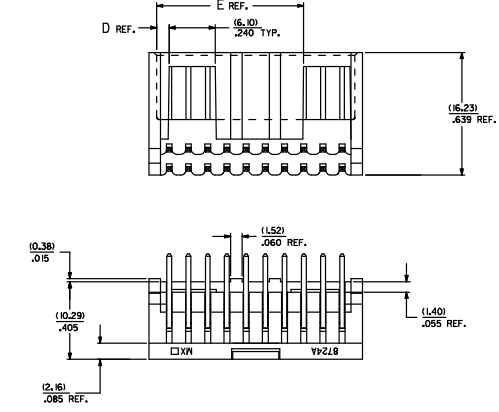


NOTES:

- MATERIAL: SHROUDED WAFER, GLASS FILLED NYLON, COLOR BLACK, UL94V-0 PINS PHOSPHOR BRONZE
- FINISH: SEE CHARTS
- PRODUCT SPECIFICATION: PS-8723
- PACKAGING INFORMATION: SEE CHARTS
- WINDOW NOT AVAILABLE ON 6 DKT.
- FOR CHARTED DIMENSIONS AND ASSEMBLY N.O.S NOT SHOWN ON THIS SHEET - SEE SHEET 2.
- 20 CIRCUIT SIZE SHOWN FOR ILLUSTRATION PURPOSES.
- PINS MUST MEET SOLDERABILITY SPEC. ML-STD-202 METHOD 2008.
- ROW TO ROW PIN HEIGHT VARIATION MUST NOT EXCEED (0.25)/010 IN.
- THIS PART CONFORMS TO CLASS B REQUIREMENTS OF COSMETIC SPECIFICATION PS-45499-002.



DKT.	DIM. 'A'	DIM. 'B'	DIM. 'C'	DIM. 'D'	DIM. 'E'	DIM. 'F'	DIM. 'G'
06	(1.68) .065	(6.43) .252	(5.08) .200	(1.68) .065			
08	(1.68) .065	(10.97) .432	(7.62) .300	(1.68) .065			
10	(1.68) .065	(15.51) .600	(10.16) .400	(1.68) .065			
12	(1.68) .065	(15.05) .590	(12.70) .500	(1.68) .065			
14	(1.68) .065	(18.59) .732	(15.24) .600	(1.68) .065			
16	(1.68) .065	(21.13) .832	(17.78) .700	(1.68) .065			
18	(1.68) .065	(23.67) .932	(20.32) .800	(1.68) .065			
20	(1.68) .065	(26.21) .1032	(22.86) .900	(1.68) .065	(19.46) .766		
22	(1.68) .065	(28.75) .1132	(25.40) .1000	(1.68) .065	(22.90) .906		
24	(1.68) .065	(31.29) .1232	(27.94) .1100	(1.68) .065	(25.44) .1000	(15.64) .611	
26	(1.68) .065	(33.83) .1332	(30.48) .1200	(1.68) .065	(27.98) .1100	(15.64) .611	
28	(1.68) .065	(36.37) .1432	(33.02) .1300	(1.68) .065	(29.52) .1168	(15.64) .611	
30	(1.68) .065	(38.91) .1532	(35.56) .1400	(1.68) .065	(32.06) .1268	(15.64) .611	
32	(1.68) .065	(41.45) .1632	(38.10) .1500	(1.68) .065	(34.60) .1368	(15.64) .611	
34	(1.68) .065	(43.99) .1732	(40.64) .1600	(1.68) .065	(37.14) .1468	(15.64) .611	(16.76) .650
36	(1.68) .065	(46.53) .1832	(43.18) .1700	(1.68) .065	(39.68) .1568	(15.64) .611	(16.76) .650
38	(1.68) .065	(49.07) .1932	(45.72) .1800	(1.68) .065	(42.22) .1668	(15.64) .611	(16.76) .650
40	(1.68) .065	(51.61) .2032	(48.26) .1900	(1.68) .065	(44.76) .1768	(15.64) .611	(16.76) .650
42	(1.68) .065	(54.15) .2132	(50.80) .2000	(1.68) .065	(47.30) .1868	(15.64) .611	(16.76) .650
44	(1.68) .065	(56.69) .2232	(53.34) .2100	(1.68) .065	(49.84) .1968	(15.64) .611	(16.76) .650
46	(1.68) .065	(59.23) .2332	(55.88) .2200	(1.68) .065	(52.38) .2068	(15.64) .611	(16.76) .650
48	(1.68) .065	(61.77) .2432	(58.42) .2300	(1.68) .065	(54.92) .2168	(15.64) .611	(16.76) .650
50	(1.68) .065	(64.31) .2532	(60.96) .2400	(1.68) .065	(57.46) .2268	(15.64) .611	(16.76) .650
52	(1.68) .065	(66.85) .2632	(63.50) .2500	(1.68) .065	(60.00) .2368	(15.64) .611	(16.76) .650
54	(1.68) .065	(69.39) .2732	(66.04) .2600	(1.68) .065	(62.54) .2468	(15.64) .611	(16.76) .650
56	(1.68) .065	(71.93) .2832	(68.58) .2700	(1.68) .065	(65.08) .2568	(15.64) .611	(16.76) .650
58	(1.68) .065	(74.47) .2932	(71.12) .2800	(1.68) .065	(67.62) .2668	(15.64) .611	(16.76) .650
60	(1.68) .065	(77.01) .3032	(73.66) .2900	(1.68) .065	(70.16) .2768	(15.64) .611	(16.76) .650
62	(1.68) .065	(79.55) .3132	(76.20) .3000	(1.68) .065	(72.70) .2868	(15.64) .611	(16.76) .650
64	(1.68) .065	(82.09) .3232	(78.74) .3100	(1.68) .065	(75.24) .2968	(15.64) .611	(16.76) .650
66	(1.68) .065	(84.63) .3332	(81.28) .3200	(1.68) .065	(77.78) .3068	(15.64) .611	(16.76) .650
68	(1.68) .065	(87.17) .3432	(83.82) .3300	(1.68) .065	(80.32) .3168	(15.64) .611	(16.76) .650
70	(1.68) .065	(89.71) .3532	(86.36) .3400	(1.68) .065	(82.86) .3268	(15.64) .611	(16.76) .650
72	(1.68) .065	(92.25) .3632	(88.90) .3500	(1.68) .065	(85.40) .3368	(15.64) .611	(16.76) .650

ASSEMBLY STYLES "A", "B", AND "G"

<p>ADD. NOTES:</p> <p>1. DIM. 'C' 2088-4539</p> <p>2. DIM. 'B' 2088-4539</p> <p>3. DIM. 'A' 2088-4539</p> <p>4. DIM. 'D' 2088-4539</p> <p>5. DIM. 'E' 2088-4539</p> <p>6. DIM. 'F' 2088-4539</p> <p>7. DIM. 'G' 2088-4539</p> <p>8. DIM. 'H' 2088-4539</p> <p>9. DIM. 'I' 2088-4539</p> <p>10. DIM. 'J' 2088-4539</p> <p>11. DIM. 'K' 2088-4539</p> <p>12. DIM. 'L' 2088-4539</p> <p>13. DIM. 'M' 2088-4539</p> <p>14. DIM. 'N' 2088-4539</p> <p>15. DIM. 'O' 2088-4539</p> <p>16. DIM. 'P' 2088-4539</p> <p>17. DIM. 'Q' 2088-4539</p> <p>18. DIM. 'R' 2088-4539</p> <p>19. DIM. 'S' 2088-4539</p> <p>20. DIM. 'T' 2088-4539</p> <p>21. DIM. 'U' 2088-4539</p> <p>22. DIM. 'V' 2088-4539</p> <p>23. DIM. 'W' 2088-4539</p> <p>24. DIM. 'X' 2088-4539</p> <p>25. DIM. 'Y' 2088-4539</p> <p>26. DIM. 'Z' 2088-4539</p>	<p>QUALITY SYMBOLS</p> <p>▽=0</p> <p>▽=0.05</p>	<p>GENERAL TOLERANCES (UNLESS SPECIFIED)</p> <table border="1"> <tr><th></th><th>mm</th><th>INCH</th></tr> <tr><td>4 PLACES ±</td><td>±.010</td><td>±.0004</td></tr> <tr><td>3 PLACES ±</td><td>±.010</td><td>±.0004</td></tr> <tr><td>2 PLACES ±</td><td>±.014</td><td>±.0005</td></tr> <tr><td>1 PLACE ±</td><td>±.036</td><td>±.0014</td></tr> </table> <p>ANGULAR ±1/2°</p>		mm	INCH	4 PLACES ±	±.010	±.0004	3 PLACES ±	±.010	±.0004	2 PLACES ±	±.014	±.0005	1 PLACE ±	±.036	±.0014	<p>DIMENSION STYLE</p> <p>MM/IN</p> <p>SCALE</p> <p>4:1</p> <p>DESIGN UNITS</p> <p>INCH</p> <p>THIRD ANGLE PROJECTION</p>	<p>SALES ASSEMBLY WAFER-RIGHT ANGLE FULLY SHROUDED .100 GRID</p> <p>MOLEX INCORPORATED</p> <p>SDA-8724-*****</p>	<p>SHEET NO.</p> <p>1 OF 8</p>
		mm	INCH																	
	4 PLACES ±	±.010	±.0004																	
	3 PLACES ±	±.010	±.0004																	
	2 PLACES ±	±.014	±.0005																	
1 PLACE ±	±.036	±.0014																		
<p>DRAWN BY</p> <p>DATE</p> <p>1986/06/26</p>	<p>CHECKED BY</p> <p>DATE</p> <p>1986/06/26</p>	<p>APPROVED BY</p> <p>DATE</p> <p>1986/06/26</p>	<p>DOCUMENT NO.</p> <p>SDA-8724-*****</p>	<p>THIS DRAWING CONTAINS INFORMATION THAT IS PROPRIETARY TO MOLEX INCORPORATED AND SHOULD NOT BE USED WITHOUT WRITTEN PERMISSION</p>																
<p>DRAFT WHERE APPLICABLE</p> <p>MUST REMAIN WITHIN DIMENSIONS</p>																				

Table with columns 20-11 and rows H, L, K, J, I. Columns include: ENGINEERING PART NUMBER, RELEASE FOR MANUFACTURE, P REF., PLATING (SEE NOTES ON THIS SHEET), CONNECTOR END PLATING (TYPE, LENGTH, MEAS., R), P.C. BOARD END PLATING (TYPE, LENGTH, MEAS.), PACKAGING INFORMATION. Rows H-J show specific part numbers like 06A164, 06B164, 06A571, etc.

PLATING FINISHES:
TIN TIN (50) OVER ENTIRE PIN.
THICKNESS=(3.75 MICROMETER)/75 MICROINCH MINIMUM
NICKEL (ND UNDERPLATE OVER ENTIRE PIN.
IS GOLD SELECTIVE GOLD (Au) IN THE CONTACT AREA.
THICKNESS=(0.37 MICROMETER)/15 MICROINCH MINIMUM
SELECTIVE TIN (Sn) IN THE PC TAIL AREA.
THICKNESS=(1.88 MICROMETER)/75 MICROINCH MINIMUM
NICKEL (ND UNDERPLATE OVER ENTIRE PIN.
30 GOLD SELECTIVE GOLD (Au) IN THE CONTACT AREA.
THICKNESS=(0.75 MICROMETER)/30 MICROINCH MINIMUM
SELECTIVE TIN (Sn) IN THE PC TAIL AREA.
THICKNESS=(1.88 MICROMETER)/75 MICROINCH MINIMUM
NICKEL (ND UNDERPLATE OVER ENTIRE PIN.

*THE PRIMARY SHIPPING CARTON WILL BE LABELED *COMPLYING TO
ROHS DIRECTIVE 2002/95/EC AND ELV ANNEX II OF DIRECTIVE 2000/53/EC.
CARTONS WITHOUT THIS LABEL MAY CONTAIN PRODUCT WITH LEAD.

Table with columns 1-20 and rows H, G, F, E, D, C. Columns include: NO. OF CKTS, TIN, IS GOLD, 30 GOLD. Rows H-C show EDN numbers for various part types.

UNPLATE TITLE BLOCK
LIC. NO. 2006-329
DRAWN BY: RY CHYD-BELL
CHECKED BY: CHYD-BELL
APPROVED BY: [Signature]
DATE: 2008/01/28
2008/01/31

QUALITY SYMBOLS
▽=0
▽=0

GENERAL TOLERANCES (UNLESS SPECIFIED)
4 PLACES ± .005 ± .005
3 PLACES ± .005 ± .005
2 PLACES ± .005 ± .005
1 PLACE ± .005 ± .005

ANGULAR ± 1/2°

DRAWING STYLE
MM/IN
SCALE ---
DESIGN UNITS INCH
THIRD ANGLE PROJECTION

DESIGNED BY JL DATE 1986/06/26
CHECKED BY NB DATE 1986/06/26
APPROVED BY MAZ DATE 1986/06/26

MATERIAL NO. SEE CHART
DOCUMENT NO. SDA-8724-*****
SHEET NO. 2 OF 8

DRAFT WHERE APPLICABLE WITHIN DIMENSIONS
THIS DRAWING CONTAINS INFORMATION THAT IS PROPRIETARY TO MOLEX INCORPORATED AND SHOULD NOT BE USED WITHOUT WRITTEN PERMISSION