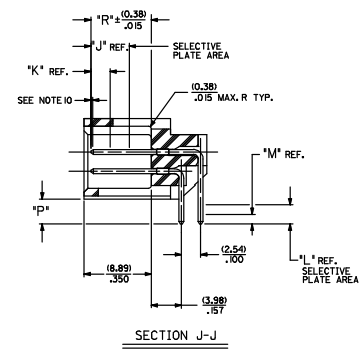
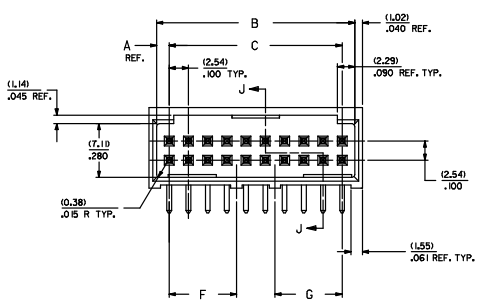
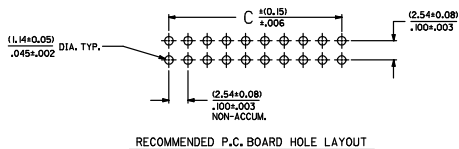
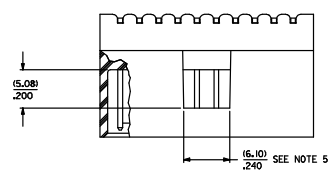


20 19 18 17 16 15 14 13 12 11 10 9 8 7 6 5 4 3 2 1

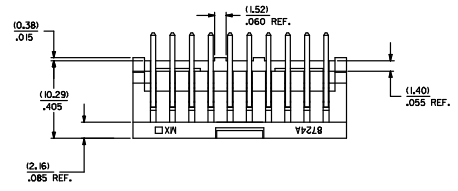


NOTES:

1. MATERIAL: SHROUDED WAFER, GLASS FILLED NYLON, COLOR BLACK, UL94V-0 PINS PHOSPHOR BRONZE
2. FINISH: SEE CHARTS
3. PRODUCT SPECIFICATION: PS-8723
4. PACKAGING INFORMATION: SEE CHARTS
5. WINDOW NOT AVAILABLE ON 6 DKT.
6. FOR CHARTED DIMENSIONS AND ASSEMBLY N.O.S NOT SHOWN ON THIS SHEET - SEE SHEET 2.
7. 20 CIRCUIT SIZE SHOWN FOR ILLUSTRATION PURPOSES.
8. PIN PUSHOUT FORCE: (17.79) N/4 LBS.
9. PINS MUST MEET SOLDERABILITY SPEC. ML-STD-202 METHOD 200B.
10. ROW TO ROW PIN HEIGHT VARIATION MUST NOT EXCEED (0.25)/0.10 IN.
11. THIS PART CONFORMS TO CLASS B REQUIREMENTS OF COSMETIC SPECIFICATION PS-45499-002.

ASSEMBLY STYLES "A", "B", AND "G"

DKT.	DIM. 'A'	DIM. 'B'	DIM. 'C'	DIM. 'D'	DIM. 'E'	DIM. 'F'	DIM. 'G'
06	(1.68) .066	(6.43) .253	(5.08) .200	(1.68) .066			
08	(1.68) .066	(10.97) .432	(7.62) .300	(1.68) .066			
10	(1.68) .066	(15.51) .610	(10.16) .400	(1.68) .066			
12	(1.68) .066	(15.05) .593	(12.70) .500	(1.68) .066			
14	(1.68) .066	(18.59) .732	(15.24) .600	(1.68) .066			
16	(1.68) .066	(21.13) .832	(17.78) .700	(1.68) .066			
18	(1.68) .066	(23.67) .932	(20.32) .800	(1.68) .066			
20	(1.68) .066	(26.21) .1032	(22.86) .900	(1.68) .066			
22	(1.68) .066	(28.75) .1132	(25.40) .1000	(1.68) .066			
24	(1.68) .066	(31.29) .1232	(27.94) .1100	(1.68) .066			
26	(1.68) .066	(33.83) .1332	(30.48) .1200	(1.68) .066			
28	(1.68) .066	(36.37) .1432	(33.02) .1300	(1.68) .066			
30	(1.68) .066	(38.91) .1532	(35.56) .1400	(1.68) .066			
32	(1.68) .066	(41.45) .1632	(38.10) .1500	(1.68) .066			
34	(1.68) .066	(43.99) .1732	(40.64) .1600	(1.68) .066			
36	(1.68) .066	(46.53) .1832	(43.18) .1700	(1.68) .066			
38	(1.68) .066	(49.07) .1932	(45.72) .1800	(1.68) .066			
40	(1.68) .066	(51.61) .2032	(48.26) .1900	(1.68) .066			
42	(1.68) .066	(54.15) .2132	(50.80) .2000	(1.68) .066			
44	(1.68) .066	(56.69) .2232	(53.34) .2100	(1.68) .066			
46	(1.68) .066	(59.23) .2332	(55.88) .2200	(1.68) .066			
48	(1.68) .066	(61.77) .2432	(58.42) .2300	(1.68) .066			
50	(1.68) .066	(64.31) .2532	(60.96) .2400	(1.68) .066			
52	(1.68) .066	(66.85) .2632	(63.50) .2500	(1.68) .066			
54	(1.68) .066	(69.39) .2732	(66.04) .2600	(1.68) .066			
56	(1.68) .066	(71.93) .2832	(68.58) .2700	(1.68) .066			
58	(1.68) .066	(74.47) .2932	(71.12) .2800	(1.68) .066			
60	(1.68) .066	(77.01) .3032	(73.66) .2900	(1.68) .066			
62	(1.68) .066	(79.55) .3132	(76.20) .3000	(1.68) .066			
64	(1.68) .066	(82.09) .3232	(78.74) .3100	(1.68) .066			
66	(1.68) .066	(84.63) .3332	(81.28) .3200	(1.68) .066			
68	(1.68) .066	(87.17) .3432	(83.82) .3300	(1.68) .066			
70	(1.68) .066	(89.71) .3532	(86.36) .3400	(1.68) .066			
72	(1.68) .066	(92.25) .3632	(88.90) .3500	(1.68) .066			



ADD. NOTES: EDC: M/C 2008-4539 RY: CHYD-BELL APPROV: 2008/07/20 REV: 2008/07/20	QUALITY SYMBOLS ▽=0 ▽=0	GENERAL TOLERANCES (UNLESS SPECIFIED) 4 PLACES ± .010 ± .010 3 PLACES ± .010 ± .010 2 PLACES ± 0.25 ± .014 1 PLACE ± 0.36 ± .014 ANGULAR ±1/2°	DIMENSION STYLE MM/IN SCALE: 4:1 DESIGN UNITS: INCH THIRD ANGLE PROJECTION	SALES ASSEMBLY WAFER-RIGHT ANGLE FULLY SHROUDED .100 GRID MOLEX INCORPORATED	SHEET NO. 1 OF 8	
	DRAWN BY: JL CHECKED BY: NB APPROVED BY: MAZ DATE: 1986/06/26	MATERIAL NO.: SEE CHART DOCUMENT NO.: SDA-8724-*****	THIS DRAWING CONTAINS INFORMATION THAT IS PROPRIETARY TO MOLEX INCORPORATED AND SHOULD NOT BE USED WITHOUT WRITTEN PERMISSION			
	DRAFT WHERE APPLICABLE MUST REMAIN WITHIN DIMENSIONS					
	SALES ASSEMBLY WAFER-RIGHT ANGLE FULLY SHROUDED .100 GRID MOLEX INCORPORATED					

Table with columns for Engineering Part Number, Release for Manufacture, P Ref., Plating (see notes on this sheet), Connector End Plating (Type, J Length, K Meas., R (0.38) .015), P.C. Board End Plating (Type, L Length, M Meas.), Packaging Information, and Plating Finishes. Includes rows for part numbers like 06A164, 06B164, 06A571, etc.

Table with columns for No. of Ckts, Tin, and various plating types (IS GOLD, 30 GOLD). Each column contains a list of part numbers corresponding to the tin type.

Engineering drawing header and title block. Includes: UPRATE TITLE BLOCK, DIMENSION STYLE, SCALE, DESIGN UNITS, THIRD ANGLE PROJECTION, SALES ASSEMBLY WAFER-RIGHT ANGLE FULLY SHROUDED .100 GRID, MOLEX INCORPORATED, SDA-8724-*****

Table with columns 1 through 20, likely representing different part numbers or specifications, with corresponding data in the rows.