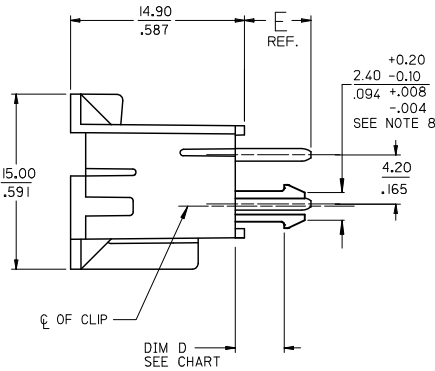
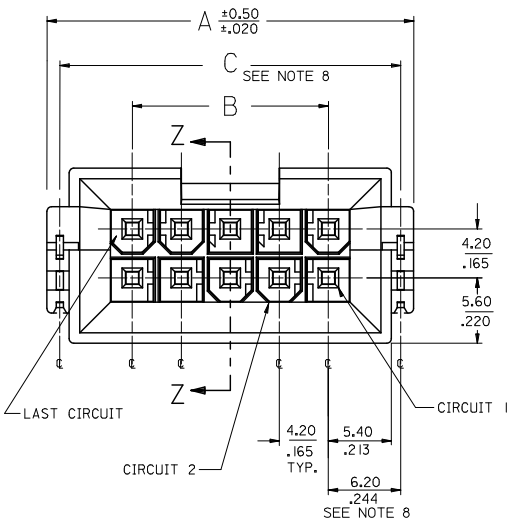
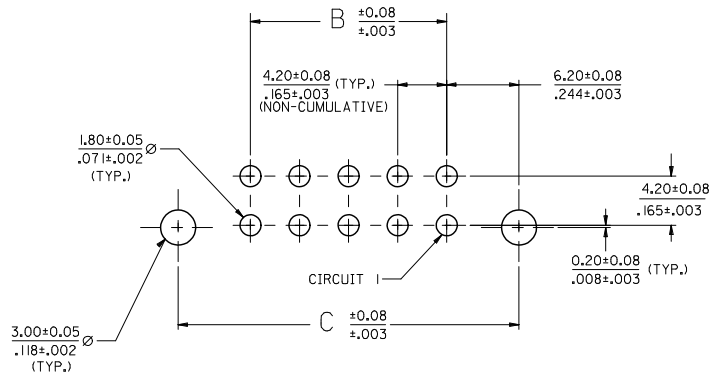
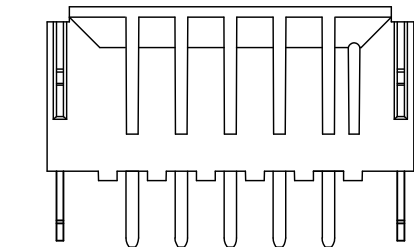


13 12 11 10 9 8 7 6 5 4 3 2 1



- 1) MATERIALS:  
HOUSING: PA46 FILLED, UL94V-0, COLOR: BLACK  
TERMINAL: BRASS  
BOARD RETENTION CLIP: BRASS
- 2) FINISHES:  
1 = 0.00254/(0.000100) MIN TIN OVER NICKEL  
2 = 0.00076/(0.000030) MIN GOLD OVER NICKEL
- 3) PRODUCT SPECIFICATIONS: PS-43810-001
- 4) PACKAGING SPECIFICATIONS: PK-43879-001
- 5) PART MATES WITH MOLEX RECEPTACLE SERIES 5557 AND 42474, AND HEADER SERIES 42385.
- 6) PART ALLOWS FOR 1.27/0.050 MAX. MISALIGNMENT WITH MATING HOUSINGS IN ANY DIRECTION.
- 7) CONNECTOR ASSEMBLIES ARE NOT TO BE MATED AND UNMATED WHILE CIRCUITS ARE LIVE.
- 8) THIS DIMENSION DOES NOT APPLY TO PARTS WITHOUT P.C. BOARD RETENTION CLIPS.
- 9) PARTS CONFORM TO CLASS 'B' REQUIREMENTS OF COSMETIC SPECIFICATION PS-45499-002



CKTS	DIM. 'A'	DIM. 'B'	DIM. 'C'
4	18.81 .740	4.20 .165	16.60 .653
6	23.01 .906	8.40 .331	20.80 .819
8	27.21 1.071	12.60 .496	25.00 .984
10	31.41 1.237	16.80 .661	29.20 1.150
12	35.61 1.402	21.00 .828	33.40 1.315
14	39.81 1.567	25.20 .992	37.60 1.480
16	44.01 1.733	29.40 1.157	41.80 1.646
18	48.21 1.898	33.60 1.323	46.00 1.811
20	52.41 2.063	37.80 1.488	50.20 1.976
22	56.61 2.229	42.00 1.654	54.40 2.142
24	60.81 2.394	46.20 1.819	58.60 2.307

PCB LAYOUT: COMPONENT SIDE

RECOMMENDED PCB THICKNESS: SEE CHART

<b>REVISED NOTES</b> EC NO: UCP2008-1250 DRAWN: JKLUSTMEIER 2008/11/24 CHKD: J.BELL 2008/11/24 APPR: S.MITH 2008/11/24	<b>QUALITY SYMBOLS</b> ▽=0 ▽=0	<b>GENERAL TOLERANCES (UNLESS SPECIFIED)</b>		<b>DIMENSION STYLE</b> MM/IN		SCALE 1:1	DESIGN UNITS METRIC	THIRD ANGLE PROJECTION			
		4 PLACES ±--- ±--- 3 PLACES ±--- ±.010 2 PLACES ±0.25 ±.014 1 PLACE ±0.35 ±---	mm INCH	DRAWN BY MANLAPAZ	DATE 1997/12/04	TITLE MINI-FIT JR BMI SMC VERTICAL HEADER ASM VARIOUS BOARD THICKNESS					
		ANGULAR ±1/2°		CHECKED BY BANDURA	DATE 1997/12/06	MOLEX INCORPORATED					
		DRAFT WHERE APPLICABLE MUST REMAIN WITHIN DIMENSIONS		APPROVED BY EDGLEY	DATE 1997/12/06	MATERIAL NO. SEE SHEET 2	DOCUMENT NO. SD-44068-031	SHEET NO. 1 OF 2			

2	E2
1	E2
SHEET REV	

12 11 10 9 8 7 6 5 4 3 2 1

	13	12	11	10	9	8	7	6	5	4	3	2	1																																	
J	FINISH: 1 (SEE NOTE 2)		FINISH: 1 (SEE NOTE 2)		FINISH: 1 (SEE NOTE 2)		FINISH: 1 (SEE NOTE 2)		FINISH: 1 (SEE NOTE 2)																																					
	DIM. D: WITHOUT CLIP		DIM. D: (2.59±0.25) .102±.010		DIM. D: (3.40±0.25) .134±.010		DIM. D: (4.19±0.25) .165±.010		DIM. D: (4.19±0.25) .165±.010																																					
	DIM. E: (3.30) .130 REF.		DIM. E: (3.30) .130 REF.		DIM. E: (4.42) .174 REF.		DIM. E: (4.88) .192 REF.		DIM. E: (4.88) .192 REF.																																					
	PCB THICKNESS: (1.60±0.18) .063±.007		PCB THICKNESS: (1.60±0.18) .063±.007		PCB THICKNESS: (2.39±0.18) .094±.007		PCB THICKNESS: (2.39±0.18) .094±.007		PCB THICKNESS: (3.18±0.18) .125±.007																																					
I	CIRCUITS MATERIAL NO.		CIRCUITS MATERIAL NO.		CIRCUITS MATERIAL NO.		CIRCUITS MATERIAL NO.		CIRCUITS MATERIAL NO.																																					
	04 44068-0023		04 44068-0001		04 44068-0045		04 44068-0089		04 44068-0089																																					
	06 44068-0024		06 44068-0002		06 44068-0046		06 44068-0090		06 44068-0090																																					
	08 X 44068-0025		08 X 44068-0003		08 X 44068-0047		08 X 44068-0091		08 X 44068-0091																																					
H	10 44068-0026		10 44068-0004		10 44068-0048		10 44068-0092		10 44068-0092																																					
	12 X 44068-0027		12 X 44068-0005		12 X 44068-0049		12 X 44068-0093		12 X 44068-0093																																					
	14 44068-0028		14 44068-0006		14 44068-0050		14 44068-0094		14 44068-0094																																					
	16 X 44068-0029		16 X 44068-0007		16 X 44068-0051		16 X 44068-0095		16 X 44068-0095																																					
	18 44068-0030		18 44068-0008		18 44068-0052		18 44068-0096		18 44068-0096																																					
G	20 X 44068-0031		20 X 44068-0009		20 X 44068-0053		20 X 44068-0097		20 X 44068-0097																																					
	22 X 44068-0032		22 X 44068-0010		22 X 44068-0054		22 X 44068-0098		22 X 44068-0098																																					
	24 44068-0033		24 44068-0011		24 44068-0055		24 44068-0099		24 44068-0099																																					
F	FINISH: 2 (SEE NOTE 2)		FINISH: 2 (SEE NOTE 2)		FINISH: 2 (SEE NOTE 2)		FINISH: 2 (SEE NOTE 2)		FINISH: 2 (SEE NOTE 2)																																					
	DIM. D: WITHOUT CLIP		DIM. D: (2.59±0.25) .102±.010		DIM. D: (3.40±0.25) .134±.010		DIM. D: (4.19±0.25) .165±.010		DIM. D: (4.19±0.25) .165±.010																																					
	DIM. E: (3.30) .130 REF.		DIM. E: (3.30) .130 REF.		DIM. E: (4.42) .174 REF.		DIM. E: (4.88) .192 REF.		DIM. E: (4.88) .192 REF.																																					
	PCB THICKNESS: (1.60±0.18) .063±.007		PCB THICKNESS: (1.60±0.18) .063±.007		PCB THICKNESS: (2.39±0.18) .094±.007		PCB THICKNESS: (2.39±0.18) .094±.007		PCB THICKNESS: (3.18±0.18) .125±.007																																					
E	CIRCUITS MATERIAL NO.		CIRCUITS MATERIAL NO.		CIRCUITS MATERIAL NO.		CIRCUITS MATERIAL NO.		CIRCUITS MATERIAL NO.																																					
	04 44068-0034		04 44068-0012		04 44068-0056		04 44068-0100		04 44068-0100																																					
	06 44068-0035		06 44068-0013		06 44068-0057		06 44068-0101		06 44068-0101																																					
D	08 X 44068-0036		08 X 44068-0014		08 X 44068-0058		08 X 44068-0102		08 X 44068-0102																																					
	10 44068-0037		10 44068-0015		10 44068-0059		10 44068-0103		10 44068-0103																																					
	12 X 44068-0038		12 X 44068-0016		12 X 44068-0060		12 X 44068-0104		12 X 44068-0104																																					
	14 44068-0039		14 44068-0017		14 44068-0061		14 44068-0105		14 44068-0105																																					
	16 X 44068-0040		16 X 44068-0018		16 X 44068-0062		16 X 44068-0106		16 X 44068-0106																																					
C	18 44068-0041		18 44068-0019		18 44068-0063		18 44068-0107		18 44068-0107																																					
	20 X 44068-0042		20 X 44068-0020		20 X 44068-0064		20 X 44068-0108		20 X 44068-0108																																					
	22 X 44068-0043		22 X 44068-0021		22 X 44068-0065		22 X 44068-0109		22 X 44068-0109																																					
	24 44068-0044		24 44068-0022		24 44068-0066		24 44068-0110		24 44068-0110																																					
B	<p>X PRECEDING PART NUMBER DESIGNATES CIRCUIT SIZE IS NOT TOOLED PLEASE CONTACT FACTORY</p>																																													
A	<table border="1"> <tr> <td rowspan="2">SEE SHEET 1 EC NO. UCP2009-1250 DRAWN: JKLUSTEMEIER 2008/11/24 CHKD: JRELL APPROV: SMITH 2008/11/24</td> <td rowspan="2">QUALITY SYMBOLS ▽=0 ▽=0</td> <td colspan="2">GENERAL TOLERANCES (UNLESS SPECIFIED)</td> <td colspan="2">DIMENSION STYLE</td> <td>SCALE</td> <td>DESIGN UNITS</td> <td colspan="2">THIRD ANGLE PROJECTION</td> <td colspan="3" rowspan="2">           TITLE: MINI-FIT JR BMI SMC VERTICAL HEADER ASM VARIOUS BOARD THICKNESS            MOLEX INCORPORATED            DOCUMENT NO. SD-44068-031            SHEET NO. 2 OF 2         </td> </tr> <tr> <td>4 PLACES ±.005 ±.010</td> <td>3 PLACES ±.005 ±.010</td> <td>2 PLACES ±.025 ±.014</td> <td>1 PLACE ±0.35 ±.014</td> <td>MM/IN</td> <td>1:1</td> <td>METRIC</td> <td>           DRAWN BY: SAMIEC DATE: 1998/05/06            CHECKED BY: BANDURA DATE: 1998/05/06            APPROVED BY: EDGLEY DATE: 1998/05/06         </td> </tr> <tr> <td colspan="2">DRAFT WHERE APPLICABLE MUST REMAIN WITHIN DIMENSIONS</td> <td colspan="2">SEE CHART</td> <td colspan="3">MATERIAL NO.</td> <td colspan="3">INCORPORATED AND SHOULD NOT BE USED WITHOUT WRITTEN PERMISSION</td> <td colspan="3"></td> </tr> </table>												SEE SHEET 1 EC NO. UCP2009-1250 DRAWN: JKLUSTEMEIER 2008/11/24 CHKD: JRELL APPROV: SMITH 2008/11/24	QUALITY SYMBOLS ▽=0 ▽=0	GENERAL TOLERANCES (UNLESS SPECIFIED)		DIMENSION STYLE		SCALE	DESIGN UNITS	THIRD ANGLE PROJECTION		TITLE: MINI-FIT JR BMI SMC VERTICAL HEADER ASM VARIOUS BOARD THICKNESS MOLEX INCORPORATED DOCUMENT NO. SD-44068-031 SHEET NO. 2 OF 2			4 PLACES ±.005 ±.010	3 PLACES ±.005 ±.010	2 PLACES ±.025 ±.014	1 PLACE ±0.35 ±.014	MM/IN	1:1	METRIC	DRAWN BY: SAMIEC DATE: 1998/05/06 CHECKED BY: BANDURA DATE: 1998/05/06 APPROVED BY: EDGLEY DATE: 1998/05/06	DRAFT WHERE APPLICABLE MUST REMAIN WITHIN DIMENSIONS		SEE CHART		MATERIAL NO.			INCORPORATED AND SHOULD NOT BE USED WITHOUT WRITTEN PERMISSION					
SEE SHEET 1 EC NO. UCP2009-1250 DRAWN: JKLUSTEMEIER 2008/11/24 CHKD: JRELL APPROV: SMITH 2008/11/24	QUALITY SYMBOLS ▽=0 ▽=0	GENERAL TOLERANCES (UNLESS SPECIFIED)		DIMENSION STYLE		SCALE	DESIGN UNITS	THIRD ANGLE PROJECTION		TITLE: MINI-FIT JR BMI SMC VERTICAL HEADER ASM VARIOUS BOARD THICKNESS MOLEX INCORPORATED DOCUMENT NO. SD-44068-031 SHEET NO. 2 OF 2																																				
		4 PLACES ±.005 ±.010	3 PLACES ±.005 ±.010	2 PLACES ±.025 ±.014	1 PLACE ±0.35 ±.014	MM/IN	1:1	METRIC	DRAWN BY: SAMIEC DATE: 1998/05/06 CHECKED BY: BANDURA DATE: 1998/05/06 APPROVED BY: EDGLEY DATE: 1998/05/06																																					
DRAFT WHERE APPLICABLE MUST REMAIN WITHIN DIMENSIONS		SEE CHART		MATERIAL NO.			INCORPORATED AND SHOULD NOT BE USED WITHOUT WRITTEN PERMISSION																																							