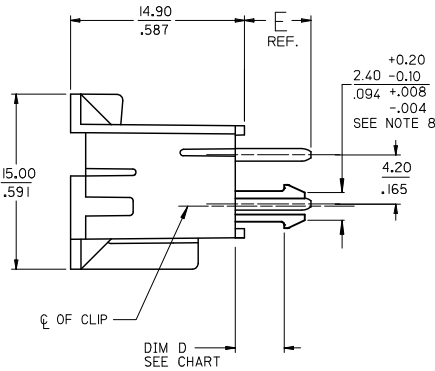
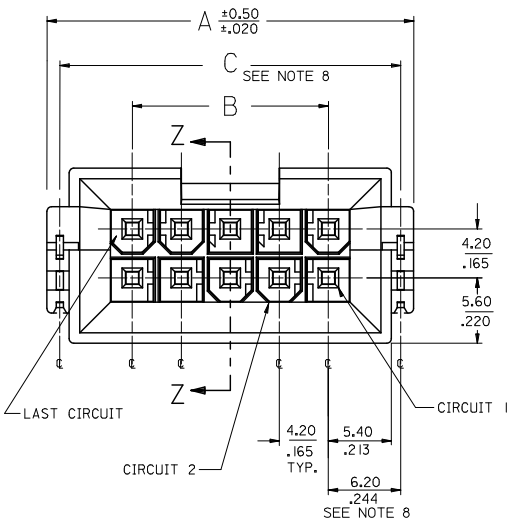
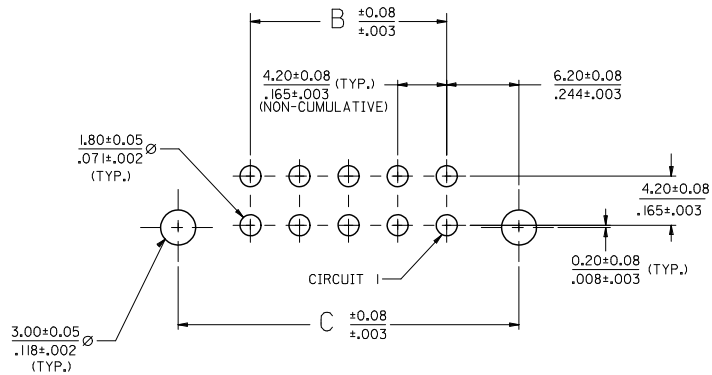
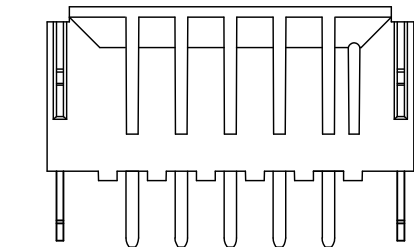


13 12 11 10 9 8 7 6 5 4 3 2 1



- 1) MATERIALS:
HOUSING: PA46 FILLED, UL94V-0, COLOR: BLACK
TERMINAL: BRASS
BOARD RETENTION CLIP: BRASS
- 2) FINISHES:
1 = 0.00254/(0.000100) MIN TIN OVER NICKEL
2 = 0.00076/(0.000030) MIN GOLD OVER NICKEL
- 3) PRODUCT SPECIFICATIONS: PS-43810-001
- 4) PACKAGING SPECIFICATIONS: PK-43879-001
- 5) PART MATES WITH MOLEX RECEPTACLE SERIES 5557 AND 42474, AND HEADER SERIES 42385.
- 6) PART ALLOWS FOR 1.27/0.050 MAX. MISALIGNMENT WITH MATING HOUSINGS IN ANY DIRECTION.
- 7) CONNECTOR ASSEMBLIES ARE NOT TO BE MATED AND UNMATED WHILE CIRCUITS ARE LIVE.
- 8) THIS DIMENSION DOES NOT APPLY TO PARTS WITHOUT P.C. BOARD RETENTION CLIPS.
- 9) PARTS CONFORM TO CLASS 'B' REQUIREMENTS OF COSMETIC SPECIFICATION PS-45499-002



CKTS	DIM. 'A'	DIM. 'B'	DIM. 'C'
4	18.81 .740	4.20 .165	16.60 .653
6	23.01 .906	8.40 .331	20.80 .819
8	27.21 1.071	12.60 .496	25.00 .984
10	31.41 1.237	16.80 .661	29.20 1.150
12	35.61 1.402	21.00 .828	33.40 1.315
14	39.81 1.567	25.20 .992	37.60 1.480
16	44.01 1.733	29.40 1.157	41.80 1.646
18	48.21 1.898	33.60 1.323	46.00 1.811
20	52.41 2.063	37.80 1.488	50.20 1.976
22	56.61 2.229	42.00 1.654	54.40 2.142
24	60.81 2.394	46.20 1.819	58.60 2.307

PCB LAYOUT: COMPONENT SIDE

RECOMMENDED PCB THICKNESS: SEE CHART

REVISED NOTES EC NO: UCP2008-1250 DRAWN: JKLOSTERMEIER 2008/11/24 CHKD: J.BELL 2008/11/24 APPR: S.MITH 2008/11/24	QUALITY SYMBOLS ▽=0 ▽=0	GENERAL TOLERANCES (UNLESS SPECIFIED)		DIMENSION STYLE MM/IN		SCALE 1:1	DESIGN UNITS METRIC	THIRD ANGLE PROJECTION
		4 PLACES ±--- ±--- 3 PLACES ±--- ±.010 2 PLACES ±0.25 ±.014 1 PLACE ±0.35 ±---	mm INCH	DRAWN BY MANLAPAZ	DATE 1997/12/04	TITLE MINI-FIT JR BMI SMC VERTICAL HEADER ASM VARIOUS BOARD THICKNESS		
		ANGULAR ±1/2°		CHECKED BY BANDURA	DATE 1997/12/06	MOLEX INCORPORATED		
		DRAFT WHERE APPLICABLE MUST REMAIN WITHIN DIMENSIONS		APPROVED BY EDGLEY	DATE 1997/12/06	MATERIAL NO. SEE SHEET 2	DOCUMENT NO. SD-44068-031	

2	E2
1	E2
SHEET REV	

12 11 10 9 8 7 6 5 4 3 2 1

	13	12	11	10	9	8	7	6	5	4	3	2	1																																																																																						
J	FINISH:	1 (SEE NOTE 2)	FINISH:	1 (SEE NOTE 2)	FINISH:	1 (SEE NOTE 2)	FINISH:	1 (SEE NOTE 2)	FINISH:	1 (SEE NOTE 2)																																																																																									
	DIM. D:	WITHOUT CLIP	DIM. D:	(2.59±0.25) .102±.010	DIM. D:	(3.40±0.25) .134±.010	DIM. D:	(4.19±0.25) .165±.010	DIM. D:	(4.88) .192																																																																																									
	DIM. E:	(3.30) .130 REF.	DIM. E:	(3.30) .130 REF.	DIM. E:	(4.42) .174 REF.	DIM. E:	(4.88) .192 REF.	DIM. E:	(4.88) .192 REF.																																																																																									
	PCB THICKNESS:	(1.60±0.18) .063±.007	PCB THICKNESS:	(1.60±0.18) .063±.007	PCB THICKNESS:	(2.39±0.18) .094±.007	PCB THICKNESS:	(2.39±0.18) .094±.007	PCB THICKNESS:	(3.18±0.18) .125±.007																																																																																									
I	CIRCUITS	MATERIAL NO.	CIRCUITS	MATERIAL NO.	CIRCUITS	MATERIAL NO.	CIRCUITS	MATERIAL NO.	CIRCUITS	MATERIAL NO.																																																																																									
	04	44068-0023	04	44068-0001	04	44068-0045	04	44068-0089	04	44068-0089																																																																																									
	06	44068-0024	06	44068-0002	06	44068-0046	06	44068-0090	06	44068-0090																																																																																									
	08	X 44068-0025	08	X 44068-0003	08	X 44068-0047	08	X 44068-0091	08	X 44068-0091																																																																																									
H	10	44068-0026	10	44068-0004	10	44068-0048	10	44068-0092	10	44068-0092																																																																																									
	12	X 44068-0027	12	X 44068-0005	12	X 44068-0049	12	X 44068-0093	12	X 44068-0093																																																																																									
	14	44068-0028	14	44068-0006	14	44068-0050	14	44068-0094	14	44068-0094																																																																																									
	16	X 44068-0029	16	X 44068-0007	16	X 44068-0051	16	X 44068-0095	16	X 44068-0095																																																																																									
	18	44068-0030	18	44068-0008	18	44068-0052	18	44068-0096	18	44068-0096																																																																																									
G	20	X 44068-0031	20	X 44068-0009	20	X 44068-0053	20	X 44068-0097	20	X 44068-0097																																																																																									
	22	X 44068-0032	22	X 44068-0010	22	X 44068-0054	22	X 44068-0098	22	X 44068-0098																																																																																									
	24	44068-0033	24	44068-0011	24	44068-0055	24	44068-0099	24	44068-0099																																																																																									
F	FINISH:	2 (SEE NOTE 2)	FINISH:	2 (SEE NOTE 2)	FINISH:	2 (SEE NOTE 2)	FINISH:	2 (SEE NOTE 2)	FINISH:	2 (SEE NOTE 2)																																																																																									
	DIM. D:	WITHOUT CLIP	DIM. D:	(2.59±0.25) .102±.010	DIM. D:	(3.40±0.25) .134±.010	DIM. D:	(4.19±0.25) .165±.010	DIM. D:	(4.19±0.25) .165±.010																																																																																									
	DIM. E:	(3.30) .130 REF.	DIM. E:	(3.30) .130 REF.	DIM. E:	(4.42) .174 REF.	DIM. E:	(4.88) .192 REF.	DIM. E:	(4.88) .192 REF.																																																																																									
	PCB THICKNESS:	(1.60±0.18) .063±.007	PCB THICKNESS:	(1.60±0.18) .063±.007	PCB THICKNESS:	(2.39±0.18) .094±.007	PCB THICKNESS:	(2.39±0.18) .094±.007	PCB THICKNESS:	(3.18±0.18) .125±.007																																																																																									
E	CIRCUITS	MATERIAL NO.	CIRCUITS	MATERIAL NO.	CIRCUITS	MATERIAL NO.	CIRCUITS	MATERIAL NO.	CIRCUITS	MATERIAL NO.																																																																																									
	04	44068-0034	04	44068-0012	04	44068-0056	04	44068-0100	04	44068-0100																																																																																									
	06	44068-0035	06	44068-0013	06	44068-0057	06	44068-0101	06	44068-0101																																																																																									
	08	X 44068-0036	08	X 44068-0014	08	X 44068-0058	08	X 44068-0102	08	X 44068-0102																																																																																									
D	10	44068-0037	10	44068-0015	10	44068-0059	10	44068-0103	10	44068-0103																																																																																									
	12	X 44068-0038	12	X 44068-0016	12	X 44068-0060	12	X 44068-0104	12	X 44068-0104																																																																																									
	14	44068-0039	14	44068-0017	14	44068-0061	14	44068-0105	14	44068-0105																																																																																									
	16	X 44068-0040	16	X 44068-0018	16	X 44068-0062	16	X 44068-0106	16	X 44068-0106																																																																																									
	18	44068-0041	18	44068-0019	18	44068-0063	18	44068-0107	18	44068-0107																																																																																									
C	20	X 44068-0042	20	X 44068-0020	20	X 44068-0064	20	X 44068-0108	20	X 44068-0108																																																																																									
	22	X 44068-0043	22	X 44068-0021	22	X 44068-0065	22	X 44068-0109	22	X 44068-0109																																																																																									
	24	44068-0044	24	44068-0022	24	44068-0066	24	44068-0110	24	44068-0110																																																																																									
B	X PRECEDING PART NUMBER DESIGNATES CIRCUIT SIZE IS NOT TOOLED PLEASE CONTACT FACTORY																																																																																																		
A	<table border="1"> <tr> <td rowspan="2">SEE SHEET 1 EC NO. UCP2009-1250 DRAWN: JKLUSTEMEIER 2008/11/24 CHKD: JRELL APPROV: SMITH 2008/11/24</td> <td rowspan="2">QUALITY SYMBOLS ▽=0 ▽=0</td> <td colspan="2">GENERAL TOLERANCES (UNLESS SPECIFIED)</td> <td colspan="2">DIMENSION STYLE</td> <td>SCALE</td> <td>DESIGN UNITS</td> <td colspan="2">THIRD ANGLE PROJECTION</td> </tr> <tr> <td>mm</td> <td>INCH</td> <td>MM/IN</td> <td>1:1</td> <td>METRIC</td> <td colspan="2"></td> </tr> <tr> <td rowspan="2">E2</td> <td rowspan="2">DESCRIPTION</td> <td>4 PLACES</td> <td>±.005</td> <td>±.005</td> <td>DRAWN BY</td> <td>DATE</td> <td colspan="4">TITLE</td> </tr> <tr> <td>3 PLACES</td> <td>±.010</td> <td>±.010</td> <td>SAMIEC</td> <td>1998/05/06</td> <td colspan="4">MINI-FIT JR BMI SMC VERTICAL HEADER ASM VARIOUS BOARD THICKNESS</td> </tr> <tr> <td rowspan="2">REV</td> <td rowspan="2"></td> <td>2 PLACES</td> <td>±0.25</td> <td>±.014</td> <td>CHECKED BY</td> <td>DATE</td> <td colspan="4">MATERIAL NO.</td> </tr> <tr> <td>1 PLACE</td> <td>±0.35</td> <td>±.014</td> <td>BANDURA</td> <td>1998/05/06</td> <td colspan="4">SD-44068-031</td> </tr> <tr> <td colspan="2"></td> <td colspan="2">ANGULAR ±1/2°</td> <td colspan="2">APPROVED BY</td> <td>DATE</td> <td colspan="2">DOCUMENT NO.</td> <td>SHEET NO.</td> </tr> <tr> <td colspan="2"></td> <td colspan="2"></td> <td colspan="2">EDGLEY</td> <td>1998/05/06</td> <td colspan="2">MOLEX INCORPORATED</td> <td>2 OF 2</td> </tr> <tr> <td colspan="2"></td> <td colspan="2">DRAFT WHERE APPLICABLE MUST REMAIN WITHIN DIMENSIONS</td> <td colspan="2">SEE CHART</td> <td colspan="4">THIS DRAWING CONTAINS INFORMATION THAT IS PROPRIETARY TO MOLEX INCORPORATED AND SHOULD NOT BE USED WITHOUT WRITTEN PERMISSION</td> </tr> </table>												SEE SHEET 1 EC NO. UCP2009-1250 DRAWN: JKLUSTEMEIER 2008/11/24 CHKD: JRELL APPROV: SMITH 2008/11/24	QUALITY SYMBOLS ▽=0 ▽=0	GENERAL TOLERANCES (UNLESS SPECIFIED)		DIMENSION STYLE		SCALE	DESIGN UNITS	THIRD ANGLE PROJECTION		mm	INCH	MM/IN	1:1	METRIC			E2	DESCRIPTION	4 PLACES	±.005	±.005	DRAWN BY	DATE	TITLE				3 PLACES	±.010	±.010	SAMIEC	1998/05/06	MINI-FIT JR BMI SMC VERTICAL HEADER ASM VARIOUS BOARD THICKNESS				REV		2 PLACES	±0.25	±.014	CHECKED BY	DATE	MATERIAL NO.				1 PLACE	±0.35	±.014	BANDURA	1998/05/06	SD-44068-031						ANGULAR ±1/2°		APPROVED BY		DATE	DOCUMENT NO.		SHEET NO.					EDGLEY		1998/05/06	MOLEX INCORPORATED		2 OF 2			DRAFT WHERE APPLICABLE MUST REMAIN WITHIN DIMENSIONS		SEE CHART		THIS DRAWING CONTAINS INFORMATION THAT IS PROPRIETARY TO MOLEX INCORPORATED AND SHOULD NOT BE USED WITHOUT WRITTEN PERMISSION			
SEE SHEET 1 EC NO. UCP2009-1250 DRAWN: JKLUSTEMEIER 2008/11/24 CHKD: JRELL APPROV: SMITH 2008/11/24	QUALITY SYMBOLS ▽=0 ▽=0	GENERAL TOLERANCES (UNLESS SPECIFIED)		DIMENSION STYLE		SCALE	DESIGN UNITS	THIRD ANGLE PROJECTION																																																																																											
		mm	INCH	MM/IN	1:1	METRIC																																																																																													
E2	DESCRIPTION	4 PLACES	±.005	±.005	DRAWN BY	DATE	TITLE																																																																																												
		3 PLACES	±.010	±.010	SAMIEC	1998/05/06	MINI-FIT JR BMI SMC VERTICAL HEADER ASM VARIOUS BOARD THICKNESS																																																																																												
REV		2 PLACES	±0.25	±.014	CHECKED BY	DATE	MATERIAL NO.																																																																																												
		1 PLACE	±0.35	±.014	BANDURA	1998/05/06	SD-44068-031																																																																																												
		ANGULAR ±1/2°		APPROVED BY		DATE	DOCUMENT NO.		SHEET NO.																																																																																										
				EDGLEY		1998/05/06	MOLEX INCORPORATED		2 OF 2																																																																																										
		DRAFT WHERE APPLICABLE MUST REMAIN WITHIN DIMENSIONS		SEE CHART		THIS DRAWING CONTAINS INFORMATION THAT IS PROPRIETARY TO MOLEX INCORPORATED AND SHOULD NOT BE USED WITHOUT WRITTEN PERMISSION																																																																																													