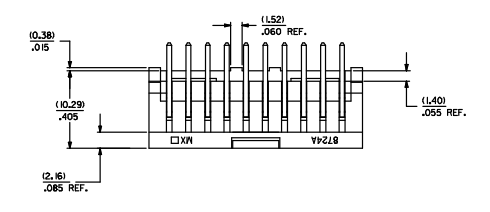
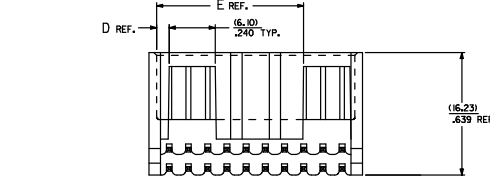
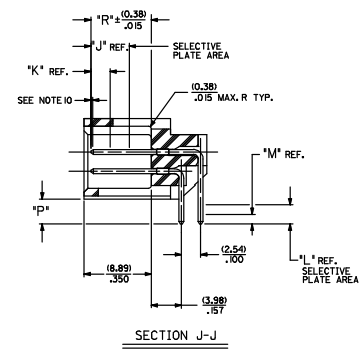
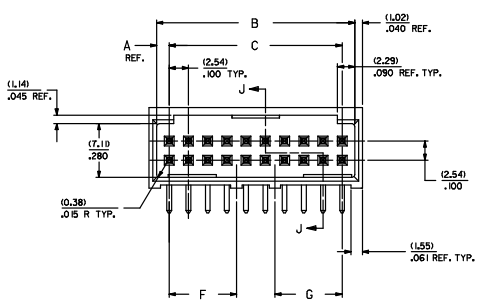
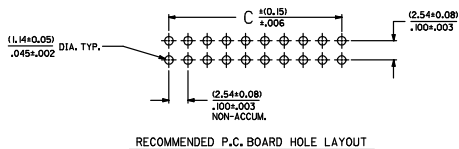
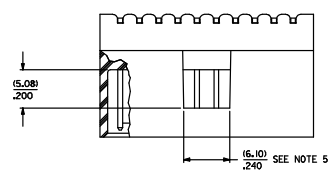


20 19 18 17 16 15 14 13 12 11 10 9 8 7 6 5 4 3 2 1



**NOTES:**

1. MATERIAL: SHROUDED WAFER, GLASS FILLED NYLON, COLOR BLACK, UL94V-0 PINS PHOSPHOR BRONZE
2. FINISH: SEE CHARTS
3. PRODUCT SPECIFICATION: PS-8723
4. PACKAGING INFORMATION: SEE CHARTS
5. WINDOW NOT AVAILABLE ON 6 DKT.
6. FOR CHARTED DIMENSIONS AND ASSEMBLY N.O.S NOT SHOWN ON THIS SHEET - SEE SHEET 2.
7. 20 CIRCUIT SIZE SHOWN FOR ILLUSTRATION PURPOSES.
8. PIN PUSHOUT FORCE: (17.79) N/4 LBS.
9. PINS MUST MEET SOLDERABILITY SPEC. ML-STD-202 METHOD 2008.
10. ROW TO ROW PIN HEIGHT VARIATION MUST NOT EXCEED (0.25)/0.10 IN.
11. THIS PART CONFORMS TO CLASS B REQUIREMENTS OF COSMETIC SPECIFICATION PS-45499-002.

**ASSEMBLY STYLES "A", "B", AND "G"**

DKT.	DIM. 'A'	DIM. 'B'	DIM. 'C'	DIM. 'D'	DIM. 'E'	DIM. 'F'	DIM. 'G'
06	(1.68)	(6.43)	(5.08)	(1.68)			
08	(1.68)	(10.97)	(7.62)	(1.68)			
10	(1.68)	(15.51)	(10.16)	(1.68)			
12	(1.68)	(15.05)	(12.70)	(1.68)			
14	(1.68)	(18.59)	(15.24)	(1.68)			
16	(1.68)	(21.13)	(17.78)	(1.68)			
18	(1.68)	(23.67)	(20.32)	(1.68)			
20	(1.68)	(26.21)	(22.86)	(1.68)			
22	(1.68)	(28.75)	(25.40)	(1.68)			
24	(1.68)	(31.29)	(27.94)	(1.68)			
26	(1.68)	(33.83)	(30.48)	(1.68)			
28	(1.68)	(36.37)	(33.02)	(1.68)			
30	(1.68)	(38.91)	(35.56)	(1.68)			
32	(1.68)	(41.45)	(38.10)	(1.68)			
34	(1.68)	(43.99)	(40.64)	(1.68)			
36	(1.68)	(46.53)	(43.18)	(1.68)			
38	(1.68)	(49.07)	(45.72)	(1.68)			
40	(1.68)	(51.61)	(48.26)	(1.68)			
42	(1.68)	(54.15)	(50.80)	(1.68)			
44	(1.68)	(56.69)	(53.34)	(1.68)			
46	(1.68)	(59.23)	(55.88)	(1.68)			
48	(1.68)	(61.77)	(58.42)	(1.68)			
50	(1.68)	(64.31)	(60.96)	(1.68)			
52	(1.68)	(66.85)	(63.50)	(1.68)			
54	(1.68)	(69.39)	(66.04)	(1.68)			
56	(1.68)	(71.93)	(68.58)	(1.68)			
58	(1.68)	(74.47)	(71.12)	(1.68)			
60	(1.68)	(77.01)	(73.66)	(1.68)			
62	(1.68)	(79.55)	(76.20)	(1.68)			
64	(1.68)	(82.09)	(78.74)	(1.68)			
66	(1.68)	(84.63)	(81.28)	(1.68)			
68	(1.68)	(87.17)	(83.82)	(1.68)			
70	(1.68)	(89.71)	(86.36)	(1.68)			
72	(1.68)	(92.25)	(88.90)	(1.68)			

<b>ADD. NOTES:</b> EDC: M/C 2008-4539 RY: CHYD-BELL APPROV: 2008/07/20	<b>QUALITY SYMBOLS</b> ▽=0 ▽=0.1	<b>GENERAL TOLERANCES (UNLESS SPECIFIED)</b> 4 PLACES ± --- ± --- 3 PLACES ± --- ± 0.10 2 PLACES ± 0.25 ± 0.14 1 PLACE ± 0.36 ± --- ANGULAR ±1/2°	<b>DIMENSION STYLE</b> MM/IN SCALE: 4:1 DESIGN UNITS: INCH THIRD ANGLE PROJECTION	SALES ASSEMBLY WAFER-RIGHT ANGLE FULLY SHROUDED .100 GRID MOLEX INCORPORATED	SHEET NO. 1 OF 8	
	<b>DRAWN BY:</b> JL <b>DATE:</b> 1986/06/26 <b>CHECKED BY:</b> NB <b>DATE:</b> 1986/06/26 <b>APPROVED BY:</b> MAZ <b>DATE:</b> 1986/06/26	<b>MATERIAL NO.:</b> SEE CHART <b>DOCUMENT NO.:</b> SDA-8724-*****	<b>DRAFT WHERE APPLICABLE MUST REMAIN WITHIN DIMENSIONS</b>	THIS DRAWING CONTAINS INFORMATION THAT IS PROPRIETARY TO MOLEX INCORPORATED AND SHOULD NOT BE USED WITHOUT WRITTEN PERMISSION	MOLEX INCORPORATED	SHEET NO. 1 OF 8
	SALES ASSEMBLY WAFER-RIGHT ANGLE FULLY SHROUDED .100 GRID MOLEX INCORPORATED					SHEET NO. 1 OF 8
	THIS DRAWING CONTAINS INFORMATION THAT IS PROPRIETARY TO MOLEX INCORPORATED AND SHOULD NOT BE USED WITHOUT WRITTEN PERMISSION					SHEET NO. 1 OF 8

Table with columns for Engineering Part Number, Release For Manufacture, P Ref., Plating (see notes on this sheet), Connector End Plating (Type, J Length, K Meas., R (0.38) ±.015), P.C. Board End Plating (Type, L Length, M Meas.), and Packaging Information. Includes notes on plating finishes: TIN, 15 GOLD, 30 GOLD.

Table with columns for Tin, 15 Gold, 30 Gold, and Tin. It lists EDP numbers and corresponding part numbers for various components, organized into groups like TIN, 15 GOLD, 30 GOLD, and TIN.

Engineering drawing details including: TITLE BLOCK (LURA TILE BLOCK), DRAWING NUMBER (200801728), CHECKED BY (CHC-BELL), APPROVED BY (MAY), QUALITY SYMBOLS, GENERAL TOLERANCES (UNLESS SPECIFIED), DIMENSION STYLE (MM/IN), SCALE (---), DESIGN UNITS (INCH), THIRD ANGLE PROJECTION, and DRAWING INFORMATION (DRAWN BY JL, DATE 1986/06/26, CHECKED BY NB, DATE 1986/06/26, APPROVED BY WAZ, DATE 1986/06/26). Includes material specification for MOLEX INCORPORATED and a note: 'THIS DRAWING CONTAINS INFORMATION THAT IS PROPRIETARY TO MOLEX INCORPORATED AND SHOULD NOT BE USED WITHOUT WRITTEN PERMISSION'.

Bottom section of the drawing showing a grid with columns 1 through 20 and rows labeled with letters A through H.