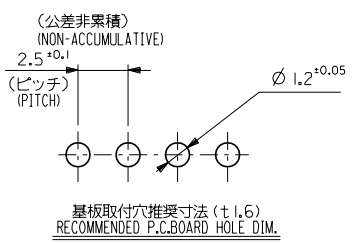
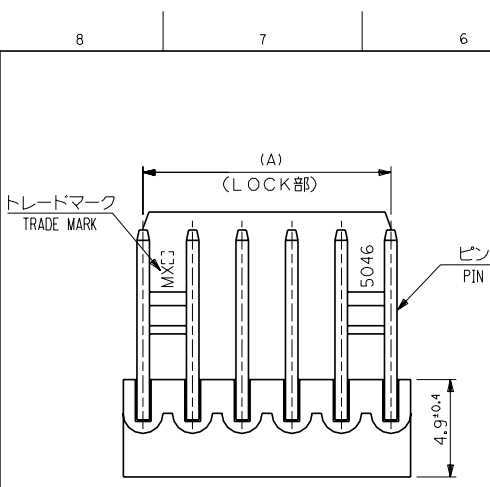


DWG. NO. SD-5046-NA

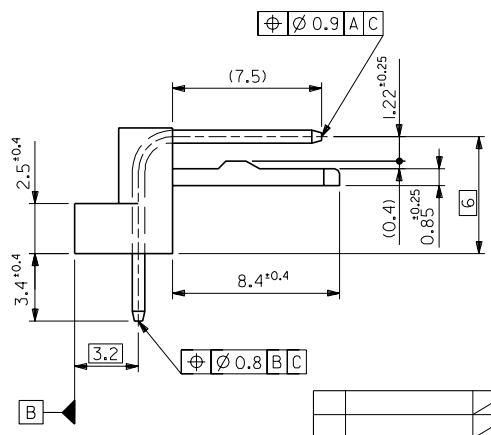
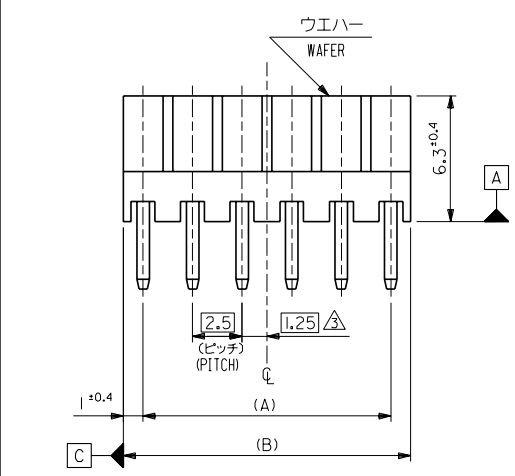
DIMENSIONS IN METRIC DO NOT SCALE DRAWING



注記  
NOTES :

- そりは長さ25.4に対して0.2MAX. CAMBER MUST BE WITHIN 0.2MAX. PER 25.4 .
- 材料 (MATERIAL)  
ウエハー : 66ナイロン, UL94V-0  
WAFER : 66NYLON , UL94V-0  
ピン : Ø0.635 黄銅, 銅下地錫メッキ  
PIN : Ø0.635 BRASS, TIN OVER COPPER PLATING.

△ 全極数が偶数の場合のみ適用。  
APPLY FOR EVEN CIRCUITS PRODUCT ONLY.



|      |      |            |          |            |
|------|------|------------|----------|------------|
| 49.5 | 47.5 | 22-05-1202 | 5046-20A | 20         |
| 47   | 45   | -1192      | -19A     | 19         |
| 44.5 | 42.5 | -1182      | -18A     | 18         |
| 42   | 40   | -1172      | -17A     | 17         |
| 39.5 | 37.5 | -1162      | -16A     | 16         |
| 37   | 35   | -1152      | -15A     | 15         |
| 34.5 | 32.5 | -1142      | -14A     | 14         |
| 32   | 30   | -1132      | -13A     | 13         |
| 29.5 | 27.5 | -1122      | -12A     | 12         |
| 27   | 25   | -1112      | -11A     | 11         |
| 24.5 | 22.5 | -1102      | -10A     | 10         |
| 22   | 20   | -1092      | -09A     | 9          |
| 19.5 | 17.5 | -1082      | -08A     | 8          |
| 17   | 15   | -1072      | -07A     | 7          |
| 14.5 | 12.5 | -1062      | -06A     | 6          |
| 12   | 10   | -1052      | -05A     | 5          |
| 9.5  | 7.5  | -1042      | -04A     | 4          |
| 7    | 5    | -1032      | -03A     | 3          |
| 4.5  | 2.5  | 22-05-1022 | 5046-02A | 2          |
| (B)  | (A)  | EDP NO.    | ENG.NO.  | 極数<br>CKT. |

|                         |        |                      |                         |         |      |     |         |  |                           |                                |  |       |
|-------------------------|--------|----------------------|-------------------------|---------|------|-----|---------|--|---------------------------|--------------------------------|--|-------|
| 角度 ANGLE                | ±3°    |                      |                         |         |      |     |         |  | 材料 MATERIAL               | 注記参照 SEE NOTE                  | MOLEX-JAPAN CO.,LTD.<br>日本モレックス株式会社<br>REVISE ONLY ON CAD SYSTEM<br>TITLE 名称<br>KK2.5 RIGHT ANGLE<br>WAFER ASS'Y |       |
| 30以上 OVER               | ±0.3   |                      |                         |         |      |     |         |  | 仕上げ FINISH                | —                              |  |       |
| 10以上 30 UNDER           | ±0.25  | H                    | 変更 REVISD               | (M0895) | M.S  | WAH | 94/11/1 |  | 適用電線範囲 WIRE RANGE         | —                              |  |       |
| 10 UNDER                | ±0.2   | G                    | 変更及び再作図 取消しと再作図 (L2008) |         | M.S  | WAH | 92/11/8 |  | 被覆外径 INS. RANGE           | —                              |  |       |
| 一般公差 GENERAL TOLERANCES | 記号 LTR | 公差内容 REVISION RECORD | DR                      | CHK     | DATE |     |         |  | DRAWN BY '92/1/3 Y.MIZUNO | CHK'D BY '94/11/1 Y.M.HIRAMOTO | DWG. NO. SD-5046-NA  | REV H |

THIS DRAWING CONTAINS INFORMATION THAT IS PROPRIETARY TO MOLEX/JAPAN AND SHOULD NOT BE USED WITHOUT WRITTEN PERMISSION  
本図面は日本モレックス(株)の所有する情報を含むもので 当社の許可なく複製を禁止する。 EN-01C(032)MXJ-32