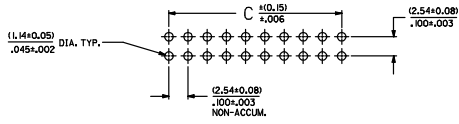
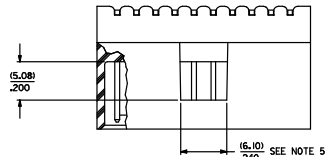
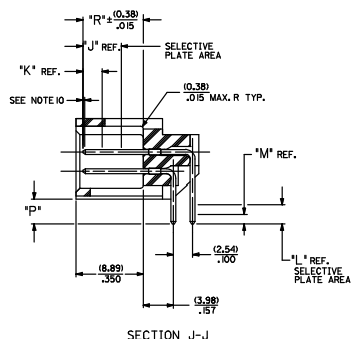
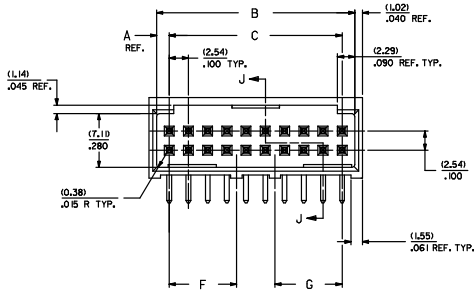


20 19 18 17 16 15 14 13 12 11 10 9 8 7 6 5 4 3 2 1



RECOMMENDED P.C. BOARD HOLE LAYOUT



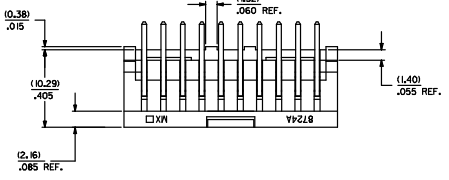
SECTION J-J

NOTES:

1. MATERIAL: SHROUDED WAFER, GLASS FILLED NYLON, COLOR BLACK, UL94V-0
2. FINISH: PHOSPHOR BRONZE
3. PRODUCT SPECIFICATION: PS-8723
4. PACKAGING INFORMATION: SEE CHARTS
5. WINDOW NOT AVAILABLE ON 6 DKT.
6. FOR CHARTED DIMENSIONS AND ASSEMBLY N.O.S NOT SHOWN ON THIS SHEET - SEE SHEET 2.
7. 20 CIRCUIT SIZE SHOWN FOR ILLUSTRATION PURPOSES.
8. PIN PUSHOUT FORCE: (17.79) N/4 LBS.
9. PINS MUST MEET SOLDERABILITY SPEC. ML-STD-202 METHOD 200B.
10. ROW TO ROW PIN HEIGHT VARIATION MUST NOT EXCEED (0.25)/010 IN.
11. THIS PART CONFORMS TO CLASS B REQUIREMENTS OF COSMETIC SPECIFICATION PS-45499-002.

DKT.	DIM. 'A'	DIM. 'B'	DIM. 'C'	DIM. 'D'	DIM. 'E'	DIM. 'F'	DIM. 'G'
06	(1.68)	(8.43)	(5.08)	(1.68)			
08	(1.68)	(10.97)	(7.62)	(1.68)			
10	(1.68)	(13.51)	(10.16)	(1.68)			
12	(1.68)	(16.05)	(12.70)	(1.68)			
14	(1.68)	(18.59)	(15.24)	(1.68)			
16	(1.68)	(21.13)	(17.78)	(1.68)			
18	(1.68)	(23.67)	(20.32)	(1.68)			
20	(1.68)	(26.21)	(22.86)	(1.68)			
22	(1.68)	(28.75)	(25.40)	(1.68)			
24	(1.68)	(31.29)	(27.94)	(1.68)			
26	(1.68)	(33.83)	(30.48)	(1.68)			
28	(1.68)	(36.37)	(33.02)	(1.68)			
30	(1.68)	(38.91)	(35.56)	(1.68)			
32	(1.68)	(41.45)	(38.10)	(1.68)			
34	(1.68)	(43.99)	(40.64)	(1.68)			
36	(1.68)	(46.53)	(43.18)	(1.68)			
38	(1.68)	(49.07)	(45.72)	(1.68)			
40	(1.68)	(51.61)	(48.26)	(1.68)			
42	(1.68)	(54.15)	(50.80)	(1.68)			
44	(1.68)	(56.69)	(53.34)	(1.68)			
46	(1.68)	(59.23)	(55.88)	(1.68)			
48	(1.68)	(61.77)	(58.42)	(1.68)			
50	(1.68)	(64.31)	(60.96)	(1.68)			
52	(1.68)	(66.85)	(63.50)	(1.68)			
54	(1.68)	(69.39)	(66.04)	(1.68)			
56	(1.68)	(71.93)	(68.58)	(1.68)			
58	(1.68)	(74.47)	(71.12)	(1.68)			
60	(1.68)	(77.01)	(73.66)	(1.68)			
62	(1.68)	(79.55)	(76.20)	(1.68)			
64	(1.68)	(82.09)	(78.74)	(1.68)			
66	(1.68)	(84.63)	(81.28)	(1.68)			
68	(1.68)	(87.17)	(83.82)	(1.68)			
70	(1.68)	(89.71)	(86.36)	(1.68)			
72	(1.68)	(92.25)	(88.90)	(1.68)			

ASSEMBLY STYLES "A", "B", AND "G"



ADD. NOTES: EDC: M/2008-4539 RY: CHKD-BELL APPROV: S/TH	QUALITY SYMBOLS ▽=0 ▽=0	GENERAL TOLERANCES (UNLESS SPECIFIED) <table border="1"> <tr><th></th><th>MM</th><th>INCH</th></tr> <tr><td>4 PLACES ±</td><td>±.010</td><td>±.0004</td></tr> <tr><td>3 PLACES ±</td><td>±.010</td><td>±.0004</td></tr> <tr><td>2 PLACES ±</td><td>±.014</td><td>±.0005</td></tr> <tr><td>1 PLACE ±</td><td>±.036</td><td>±.0014</td></tr> </table>		MM	INCH	4 PLACES ±	±.010	±.0004	3 PLACES ±	±.010	±.0004	2 PLACES ±	±.014	±.0005	1 PLACE ±	±.036	±.0014	DIMENSION STYLE MM/IN	SCALE 4:1	DESIGN UNITS INCH	THIRD ANGLE PROJECTION
		MM	INCH																		
	4 PLACES ±	±.010	±.0004																		
	3 PLACES ±	±.010	±.0004																		
2 PLACES ±	±.014	±.0005																			
1 PLACE ±	±.036	±.0014																			
DRAWN BY JL	DATE 1986/06/26	CHECKED BY NB	DATE 1986/06/26	SALES ASSEMBLY WAFER-RIGHT ANGLE FULLY SHROUDED .100 GRID																	
APPROVED BY MAZ	DATE 1986/06/26	MATERIAL NO. SEE CHART	DOCUMENT NO. SDA-8724-*****	MOLEX INCORPORATED																	
DRAFT WHERE APPLICABLE MUST REMAIN WITHIN DIMENSIONS		THIS DRAWING CONTAINS INFORMATION THAT IS PROPRIETARY TO MOLEX INCORPORATED AND SHOULD NOT BE USED WITHOUT WRITTEN PERMISSION		SHEET NO. 1 OF 8																	

ENGINEERING PART NUMBER A-8724-	RELEASE FOR MANUFACTURE	P REF.	PLATING (SEE NOTES ON THIS SHEET)	CONNECTOR END PLATING						P.C. BOARD END PLATING			PACKAGING INFORMATION	
				TYPE	J LENGTH	K MEAS.	R (0.38) ±.015	TYPE	L LENGTH	M MEAS.	TYPE	L LENGTH		M MEAS.
06A164 / 72A164	RFM	(3,30) .150	TIN	TIN		(2,54) .100	(6,00) .375	TIN		(1,27) .050		0019	<p>PLATING FINISHES:</p> <p>TIN TIN (5%) OVER ENTIRE PIN; THICKNESS=(3.75 MICROMETER)/75 MICROINCH MINIMUM; NICKEL (ND) UNDERPLATE OVER ENTIRE PIN.</p> <p>15 GOLD SELECTIVE GOLD (Au) IN THE CONTACT AREA; THICKNESS=(0.37 MICROMETER)/75 MICROINCH MINIMUM; SELECTIVE TIN (Sn) IN THE PC TAIL AREA; THICKNESS=(1.88 MICROMETER)/75 MICROINCH MINIMUM; NICKEL (ND) UNDERPLATE OVER ENTIRE PIN.</p> <p>30 GOLD SELECTIVE GOLD (Au) IN THE CONTACT AREA; THICKNESS=(0.75 MICROMETER)/30 MICROINCH MINIMUM; SELECTIVE TIN (Sn) IN THE PC TAIL AREA; THICKNESS=(1.88 MICROMETER)/75 MICROINCH MINIMUM; NICKEL (ND) UNDERPLATE OVER ENTIRE PIN.</p> <p>*THE PRIMARY SHIPPING CARTON WILL BE LABELED *COMPLIANT TO ROHS DIRECTIVE 2002/95/EC AND ELV ANNEX II OF DIRECTIVE 2000/53/EC. CARTONS WITHOUT THIS LABEL MAY CONTAIN PRODUCT WITH LEAD.</p>	
06B164 / 72B164	RFM	(5,08) .200	TIN	TIN		(2,54) .100	(6,00) .375	TIN		(1,27) .050		0019		
06A571 / 72A571	RFM	(3,30) .150	IS GOLD	GOLD	(5,08) .200	(2,54) .100	(6,00) .375	TIN	(2,54) .100	(1,27) .050		0019		
06B571 / 72B571	RFM	(5,08) .200	IS GOLD	GOLD	(5,08) .200	(2,54) .100	(6,00) .375	TIN	(2,54) .100	(1,27) .050		0019		
06A574 / 72A574	RFM	(3,30) .150	30 GOLD	GOLD	(5,08) .200	(2,54) .100	(6,00) .375	TIN	(2,54) .100	(1,27) .050		0019		
06B574 / 72B574	RFM	(5,08) .200	30 GOLD	GOLD	(5,08) .200	(2,54) .100	(6,00) .375	TIN	(2,54) .100	(1,27) .050		0019		
06C164 / 72C164	RFM	(3,30) .150	TIN	TIN		(2,54) .100	(6,35) .250	TIN		(1,27) .050		0019		

NO. OF CKTS	TIN		15 GOLD		30 GOLD		30 GOLD		TIN	
	EDP NUMBER	ENG NUMBER	EDP NUMBER	ENG NUMBER	EDP NUMBER	ENG NUMBER	EDP NUMBER	ENG NUMBER	EDP NUMBER	ENG NUMBER
06	15-42-7006	A-8724-06A164	15-42-7105	A-8724-06B164	15-29-7006	A-8724-06A571	15-29-7105	A-8724-06B571	15-41-8006	A-8724-06A574
08	15-42-7008	A-8724-08A164	15-42-7108	A-8724-08B164	15-29-7008	A-8724-08A571	15-29-7108	A-8724-08B571	15-41-8008	A-8724-08A574
10	15-42-7010	A-8724-10A164	15-42-7110	A-8724-10B164	15-29-7010	A-8724-10A571	15-29-7110	A-8724-10B571	15-41-8010	A-8724-10A574
12	15-42-7012	A-8724-12A164	15-42-7112	A-8724-12B164	15-29-7012	A-8724-12A571	15-29-7112	A-8724-12B571	15-41-8012	A-8724-12A574
14	15-42-7014	A-8724-14A164	15-42-7114	A-8724-14B164	15-29-7014	A-8724-14A571	15-29-7114	A-8724-14B571	15-41-8014	A-8724-14A574
16	15-42-7016	A-8724-16A164	15-42-7116	A-8724-16B164	15-29-7016	A-8724-16A571	15-29-7116	A-8724-16B571	15-41-8016	A-8724-16A574
18	15-42-7018	A-8724-18A164	15-42-7118	A-8724-18B164	15-29-7018	A-8724-18A571	15-29-7118	A-8724-18B571	15-41-8018	A-8724-18A574
20	15-42-7020	A-8724-20A164	15-42-7120	A-8724-20B164	15-29-7020	A-8724-20A571	15-29-7120	A-8724-20B571	15-41-8020	A-8724-20A574
22	15-42-7022	A-8724-22A164	15-42-7122	A-8724-22B164	15-29-7022	A-8724-22A571	15-29-7122	A-8724-22B571	15-41-8022	A-8724-22A574
24	15-42-7024	A-8724-24A164	15-42-7124	A-8724-24B164	15-29-7024	A-8724-24A571	15-29-7124	A-8724-24B571	15-41-8024	A-8724-24A574
26	15-42-7026	A-8724-26A164	15-42-7126	A-8724-26B164	15-29-7026	A-8724-26A571	15-29-7126	A-8724-26B571	15-41-8026	A-8724-26A574
28	15-42-7028	A-8724-28A164	15-42-7128	A-8724-28B164	15-29-7028	A-8724-28A571	15-29-7128	A-8724-28B571	15-41-8028	A-8724-28A574
30	15-42-7030	A-8724-30A164	15-42-7130	A-8724-30B164	15-29-7030	A-8724-30A571	15-29-7130	A-8724-30B571	15-41-8030	A-8724-30A574
32	15-42-7032	A-8724-32A164	15-42-7132	A-8724-32B164	15-29-7032	A-8724-32A571	15-29-7132	A-8724-32B571	15-41-8032	A-8724-32A574
34	15-42-7034	A-8724-34A164	15-42-7134	A-8724-34B164	15-29-7034	A-8724-34A571	15-29-7134	A-8724-34B571	15-41-8034	A-8724-34A574
36	15-42-7036	A-8724-36A164	15-42-7136	A-8724-36B164	15-29-7036	A-8724-36A571	15-29-7136	A-8724-36B571	15-41-8036	A-8724-36A574
38	15-42-7038	A-8724-38A164	15-42-7138	A-8724-38B164	15-29-7038	A-8724-38A571	15-29-7138	A-8724-38B571	15-41-8038	A-8724-38A574
40	15-42-7040	A-8724-40A164	15-42-7140	A-8724-40B164	15-29-7040	A-8724-40A571	15-29-7140	A-8724-40B571	15-41-8040	A-8724-40A574
42	15-42-7042	A-8724-42A164	15-42-7142	A-8724-42B164	15-29-7042	A-8724-42A571	15-29-7142	A-8724-42B571	15-41-8042	A-8724-42A574
44	15-42-7044	A-8724-44A164	15-42-7144	A-8724-44B164	15-29-7044	A-8724-44A571	15-29-7144	A-8724-44B571	15-41-8044	A-8724-44A574
46	15-42-7046	A-8724-46A164	15-42-7146	A-8724-46B164	15-29-7046	A-8724-46A571	15-29-7146	A-8724-46B571	15-41-8046	A-8724-46A574
48	15-42-7048	A-8724-48A164	15-42-7148	A-8724-48B164	15-29-7048	A-8724-48A571	15-29-7148	A-8724-48B571	15-41-8048	A-8724-48A574
50	15-42-7050	A-8724-50A164	15-42-7150	A-8724-50B164	15-29-7050	A-8724-50A571	15-29-7150	A-8724-50B571	15-41-8050	A-8724-50A574
52	15-42-7052	A-8724-52A164	15-42-7152	A-8724-52B164	15-29-7052	A-8724-52A571	15-29-7152	A-8724-52B571	15-41-8052	A-8724-52A574
54	15-42-7054	A-8724-54A164	15-42-7154	A-8724-54B164	15-29-7054	A-8724-54A571	15-29-7154	A-8724-54B571	15-41-8054	A-8724-54A574
56	15-42-7056	A-8724-56A164	15-42-7156	A-8724-56B164	15-29-7056	A-8724-56A571	15-29-7156	A-8724-56B571	15-41-8056	A-8724-56A574
58	15-42-7058	A-8724-58A164	15-42-7158	A-8724-58B164	15-29-7058	A-8724-58A571	15-29-7158	A-8724-58B571	15-41-8058	A-8724-58A574
60	15-42-7060	A-8724-60A164	15-42-7160	A-8724-60B164	15-29-7060	A-8724-60A571	15-29-7160	A-8724-60B571	15-41-8060	A-8724-60A574
62	15-42-7062	A-8724-62A164	15-42-7162	A-8724-62B164	15-29-7062	A-8724-62A571	15-29-7162	A-8724-62B571	15-41-8062	A-8724-62A574
64	15-42-7064	A-8724-64A164	15-42-7164	A-8724-64B164	15-29-7064	A-8724-64A571	15-29-7164	A-8724-64B571	15-41-8064	A-8724-64A574
66	15-42-7066	A-8724-66A164	15-42-7166	A-8724-66B164	15-29-7066	A-8724-66A571	15-29-7166	A-8724-66B571	15-41-8066	A-8724-66A574
68	15-42-7068	A-8724-68A164	15-42-7168	A-8724-68B164	15-29-7068	A-8724-68A571	15-29-7168	A-8724-68B571	15-41-8068	A-8724-68A574
70	15-42-7070	A-8724-70A164	15-42-7170	A-8724-70B164	15-29-7070	A-8724-70A571	15-29-7170	A-8724-70B571	15-41-8070	A-8724-70A574
72	15-42-7072	A-8724-72A164	15-42-7172	A-8724-72B164	15-29-7072	A-8724-72A571	15-29-7172	A-8724-72B571	15-41-8072	A-8724-72A574

UPRATE TITLE BLOCK DATE: 2006-09-29 DRAWN BY: RCH CHECKED BY: RCH APPROVED BY: RCH APPR. DATE: 2006/10/11	QUALITY SYMBOLS □=0 ▽=0	GENERAL TOLERANCES (UNLESS SPECIFIED) 4 PLACES ± .010 INCH 3 PLACES ± .015 INCH 2 PLACES ± .020 INCH 1 PLACE ± .030 INCH ANGULAR ±1/2°	DIMENSION STYLE: MM/IN SCALE: --- DESIGN UNITS: INCH THIRD ANGLE PROJECTION	DRAWN BY: JL DATE: 1986/06/26 CHECKED BY: NB DATE: 1986/06/26 APPROVED BY: MAZ DATE: 1986/06/26	TITLE: SALES ASSEMBLY WAFER-RIGHT ANGLE FULLY SHROUDED .100 GRID	MATERIAL NO. SEE CHART DOCUMENT NO. SDA-8724-***** SHEET NO. 2 OF 8