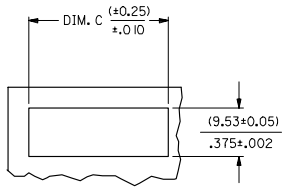
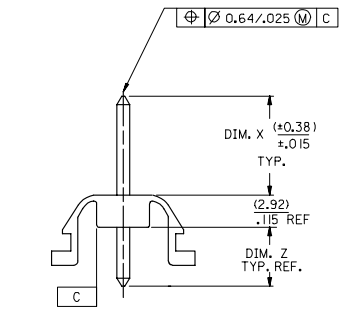
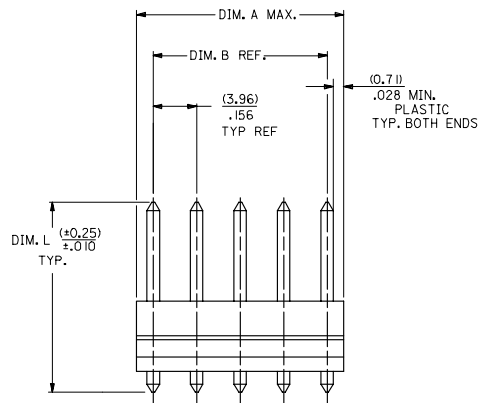


NO. OF CKTS.	DIM. A REF.	DIM. B MAX.	DIM. C
2	(7.37) .290	(3.96) .156	(7.67) .302
3	(11.33) .446	(7.92) .312	(11.63) .458
4	(15.29) .602	(11.89) .468	(15.60) .614
5	(19.25) .758	(15.85) .624	(19.56) .770
6	(23.22) .914	(19.81) .780	(23.52) .926
7	(27.18) 1.070	(23.77) .936	(27.48) 1.080
8	(31.14) 1.226	(27.74) 1.092	(31.45) 1.238
9	(35.10) 1.382	(31.70) 1.248	(35.41) 1.394
10	(39.07) 1.538	(35.66) 1.404	(39.37) 1.550
11	(43.03) 1.694	(39.62) 1.560	(43.33) 1.706
12	(46.99) 1.850	(43.59) 1.716	(47.29) 1.862
13	(50.95) 2.006	(47.55) 1.872	(51.26) 2.018
14	(54.91) 2.162	(51.51) 2.028	(55.22) 2.174
15	(58.88) 2.318	(55.47) 2.184	(59.18) 2.330
16	(62.84) 2.474	(59.44) 2.340	(63.14) 2.486
17	(66.80) 2.630	(63.40) 2.496	(67.11) 2.642
18	(70.76) 2.786	(67.36) 2.652	(71.07) 2.798
19	(74.65) 2.939	(71.32) 2.808	(74.96) 2.951
20	(78.61) 3.095	(75.29) 2.964	(78.92) 3.107



PANEL OPENING
(1.57±.03) / .062±.001 THK.
PARTS MUST SNAP INTO ABOVE PCB



VERSION A-2220-N * * *
NO. OF CKTS. * * *
PACKAGING BLANK = PER PK-2220-002
A = PER PK-44646-005
PLATING CODE * * *
SEE NOTE 2

LETTER CHANGES WHEN
PIN NO. OR PRESS
DIM. CHANGES

- NOTES:
- MATERIAL: UNFILLED NYLON 6/6, UL94V-2, MOLDED NATURAL.
 - FINISH: SEE LEGEND
 - (102) - OVERALL TIN: 0.00508/0.000200 MIN.
 - OVERALL COPPER UNDERPLATE: 0.00254/0.000100 MIN.
 - (122) - OVERALL TIN: 0.00381/0.000150 MIN.
 - OVERALL NICKEL UNDERPLATE: 0.00076/0.000030 MIN.
 - (501) - OVERALL GOLD: 0.00051/0.000020 MIN.
 - OVERALL NICKEL UNDERPLATE: 0.00076/0.000030 MIN.
 - (503) - OVERALL GOLD: 0.00076/0.000030 MIN.
 - OVERALL NICKEL UNDERPLATE: 0.00127/0.000050 MIN.
 - PARTS CONFORM TO PRODUCT SPECIFICATION PS-08-50.
 - PACKAGING INFORMATION: SEE LEGEND.
 - PIN PUSHOUT FORCE: PRIOR TO SOLDERING, A 3 POUND MINIMUM FORCE (IN EITHER DIRECTION) SHALL BE REQUIRED TO PUSH THE PIN OUT OF THE HEADER.

ADD P/N 50-29-1770 EC NO: UCP2006-1762 DRAWN BY: 2006/05/24 CHECKED BY: 2006/06/06 APPROVED BY: 2006/06/06	QUALITY SYMBOLS ▽=0 ▽=0 ▽=1	GENERAL TOLERANCES (UNLESS SPECIFIED) <table border="1"> <tr><th></th><th>mm</th><th>INCH</th></tr> <tr><td>4 PLACES</td><td>±---</td><td>±---</td></tr> <tr><td>3 PLACES</td><td>±---</td><td>±---</td></tr> <tr><td>2 PLACES</td><td>±---</td><td>±---</td></tr> <tr><td>1 PLACE</td><td>±---</td><td>±---</td></tr> </table>		mm	INCH	4 PLACES	±---	±---	3 PLACES	±---	±---	2 PLACES	±---	±---	1 PLACE	±---	±---	DIMENSION STYLE MM/IN	SCALE ---	DESIGN UNITS INCH	THIRD ANGLE PROJECTION
				mm	INCH																
4 PLACES	±---	±---																			
3 PLACES	±---	±---																			
2 PLACES	±---	±---																			
1 PLACE	±---	±---																			
DRAFT WHERE APPLICABLE MUST REMAIN WITHIN DIMENSIONS	DRAWN BY: KSS CHECKED BY: DMS APPROVED BY: KJA DATE: 1984/10/30 DATE: 1984/10/30 DATE: 1984/10/30	MATERIAL NO. SEE CHART	DOCUMENT NO. SDA-2220	TITLE WAFFER ASSEMBLY CHASSIS MOUNT, KK 2220 SERIES DWG.	MOLEX INCORPORATED	SHEET NO. 1 OF 6															

6	RT
5	RT
4	RT
3	RT
2	RT
1	RT

ib_frame_C_P_ME_T
Rev. D 2004/04/02

	13	12	11	10	9	8	7	6	5	4	3	2	1	
J	ENG. NO.	PIN NO.	DIM. L	DIM. X	DIM. Z	DIM. Y	DIM. W	DIM. T						J
	A-2220-NA102	2161-5(102)	(34.93) 1.375	(15.88) .625	(16.13) .635									
	A-2220-NA123	2161-5(123)	(34.93) 1.375	(15.88) .625	(16.13) .635									
I	A-2220-NA505	VOIDED												
	A-2220-NA509	VOIDED												
	A-2220-NA501	2161-5(501)	(34.93) 1.375	(15.88) .625	(16.13) .635									
H	A-2220-NAA501	2161-16(501)	(25.40) 1.000	(16.89) .665	(5.59) .220									
	A-2220-NAB501	2161-13(501)	(42.42) 1.670	(16.89) .665	(22.61) .890									
	A-2220-NAE102	2161-38(102)	(38.10) 1.500	(19.05) .750	(16.13) .635									
	A-2220-NAF102	2161-2(102)	(28.58) 1.125	(11.43) .450	(14.22) .560									
G	A-2220-NAJ102	2161-5(102)	(34.93) 1.375	(8.20) .323	(23.80) .937									
	A-2220-NAL102	2161-5(102)	(34.93) 1.375	(12.70) .500	(19.30) .760									
	A-2220-NAM102	2161-1(102)	(19.05) .750	(14.73) .580	(1.40) .055									
F	A-2220-NAN102	2161-18(102)	(33.32) 1.312	(19.05) .750	(11.35) .447									
	A-2220-NAP102	2161-52(102)	(27.00) 1.063	(12.70) .500	(11.38) .448									
	A-2220-NB102	2161-11(102)	(44.45) 1.750	(18.24) .718	(23.29) .917									
E	A-2220-NB501	2161-11(501)	(44.45) 1.750	(18.24) .718	(23.29) .917									
	A-2220-NB505	VOIDED												
	A-2220-NC102	2161-7(102)	(39.67) 1.562	(15.88) .625	(20.88) .822									
D	A-2220-NC501	2161-7(501)	(39.67) 1.562	(15.88) .625	(20.88) .822									
	A-2220-ND102	VOIDED												
	A-2220-ND501	VOIDED												
C	A-2220-NF102	2161-11(102)	(44.45) 1.750	(38.10) 1.500	(3.43) .135									
	A-2220-NH102	2161-20(102)	(46.02) 1.812	(39.67) 1.562	(3.43) .135									
	A-2220-NH501	2161-20(501)	(46.02) 1.812	(39.67) 1.562	(3.43) .135									
B														
A														

ADD A-2220-NA102A EC NO. UCP2006-1782 DRAWN BY 2006/05/24 CHECKED BY 2006/06/06 APPROVED BY 2006/06/06	QUALITY SYMBOLS	GENERAL TOLERANCES (UNLESS SPECIFIED)	DIMENSION STYLE	SCALE	DESIGN UNITS	THIRD ANGLE PROJECTION
	▽=0 ▽=0 ▽=0	4 PLACES ± .001 ± .001 3 PLACES ± .002 ± .002 2 PLACES ± .005 ± .005 1 PLACE ± .010 ± .010 ANGULAR ±1/2°	mm INCH DRAWN BY DATE KSS 1984/10/30 CHECKED BY DATE DMS 1984/10/30 APPROVED BY DATE KJA 1984/10/30	MM/IN	---	INCH
	DRAFT WHERE APPLICABLE MUST REMAIN WITHIN DIMENSIONS	SEE CHART	MATERIAL NO.	DOCUMENT NO.	SHEET NO.	
				SDA-2220	2 OF 6	
				THIS DRAWING CONTAINS INFORMATION THAT IS PROPRIETARY TO MOLEX INCORPORATED AND SHOULD NOT BE USED WITHOUT WRITTEN PERMISSION		

13		12		11		10		9		8		7		6		5		4		3		2		1	
A-2220-NA102				A-2220-NA123				A-2220-NA505 VOID				A-2220-NA509 VOID				A-2220-NA501				A-2220-NAA501					
PART NO.		ENG. NO.		PART NO.		ENG. NO.		PART NO.		ENG. NO.		PART NO.		ENG. NO.		PART NO.		ENG. NO.		PART NO.		ENG. NO.			
09-57-1025	A-2220-2A102	09-57-1023	A-2220-2A123													09-78-1021	A-2220-2A501						A-2220-2AA501		
09-57-1035	A-2220-3A102	09-57-1033	A-2220-3A123													09-78-1031	A-2220-3A501						A-2220-3AA501		
09-57-1045	A-2220-4A102	09-57-1043	A-2220-4A123													09-78-1041	A-2220-4A501						A-2220-4AA501		
09-57-1055	A-2220-5A102	09-57-1053	A-2220-5A123													09-78-1051	A-2220-5A501						A-2220-5AA501		
09-57-1065	A-2220-6A102	09-57-1063	A-2220-6A123													09-78-1061	A-2220-6A501			09-78-1069			A-2220-6AA501		
09-57-1075	A-2220-7A102	09-57-1073	A-2220-7A123													09-78-1071	A-2220-7A501						A-2220-7AA501		
09-57-1085	A-2220-8A102	09-57-1083	A-2220-8A123													09-78-1081	A-2220-8A501						A-2220-8AA501		
09-57-1095	A-2220-9A102	09-57-1093	A-2220-9A123													09-78-1091	A-2220-9A501						A-2220-9AA501		
09-57-1105	A-2220-10A102	09-57-1103	A-2220-10A123													09-78-1101	A-2220-10A501						A-2220-10AA501		
09-57-1115	A-2220-11A102	09-57-1113	A-2220-11A123													09-78-1111	A-2220-11A501						A-2220-11AA501		
09-57-1125	A-2220-12A102	09-57-1123	A-2220-12A123													09-78-1121	A-2220-12A501						A-2220-12AA501		
09-57-1135	A-2220-13A102	09-57-1133	A-2220-13A123													09-78-1131	A-2220-13A501						A-2220-13AA501		
09-57-1145	A-2220-14A102	09-57-1143	A-2220-14A123													09-78-1141	A-2220-14A501						A-2220-14AA501		
09-57-1155	A-2220-15A102	09-57-1153	A-2220-15A123													09-78-1151	A-2220-15A501						A-2220-15AA501		
09-57-1165	A-2220-16A102	09-57-1163	A-2220-16A123													09-78-1161	A-2220-16A501						A-2220-16AA501		
09-57-1175	A-2220-17A102	09-57-1173	A-2220-17A123													09-78-1171	A-2220-17A501						A-2220-17AA501		
09-57-1185	A-2220-18A102	09-57-1183	A-2220-18A123													09-78-1181	A-2220-18A501						A-2220-18AA501		

A-2220-NAB501		A-2220-NAE102		A-2220-NAF102		A-2220-NAJ102		A-2220-NAL102		A-2220-NAM102	
PART NO.		ENG. NO.		PART NO.		ENG. NO.		PART NO.		ENG. NO.	
	A-2220-2AB501		A-2220-2AE102		A-2220-2AF102		A-2220-2AJ102		A-2220-2AL102		A-2220-2AM102
	A-2220-3AB501		A-2220-3AE102		A-2220-3AF102		A-2220-3AJ102		A-2220-3AL102		A-2220-3AM102
	A-2220-4AB501		A-2220-4AE102		A-2220-4AF102	09-57-4042	A-2220-4AJ102		A-2220-4AL102		A-2220-4AM102
	A-2220-5AB501	09-57-4054	A-2220-5AE102		A-2220-5AF102		A-2220-5AJ102	09-57-4053	A-2220-5AL102		A-2220-5AM102
09-78-1067	A-2220-6AB501	09-57-4064	A-2220-6AE102	09-57-4061	A-2220-6AF102		A-2220-6AJ102		A-2220-6AL102		A-2220-6AM102
	A-2220-7AB501		A-2220-7AE102		A-2220-7AF102		A-2220-7AJ102		A-2220-7AL102		A-2220-7AM102
09-78-1087	A-2220-8AB501	09-57-4084	A-2220-8AE102		A-2220-8AF102		A-2220-8AJ102	09-57-4083	A-2220-8AL102	09-57-4085	A-2220-8AM102
	A-2220-9AB501		A-2220-9AE102		A-2220-9AF102		A-2220-9AJ102		A-2220-9AL102		A-2220-9AM102
09-78-1107	A-2220-10AB501	09-57-4104	A-2220-10AE102		A-2220-10AF102		A-2220-10AJ102		A-2220-10AL102		A-2220-10AM102
	A-2220-11AB501		A-2220-11AE102		A-2220-11AF102		A-2220-11AJ102		A-2220-11AL102		A-2220-11AM102
09-78-1127	A-2220-12AB501		A-2220-12AE102	09-57-4121	A-2220-12AF102		A-2220-12AJ102		A-2220-12AL102		A-2220-12AM102
	A-2220-13AB501		A-2220-13AE102		A-2220-13AF102		A-2220-13AJ102		A-2220-13AL102		A-2220-13AM102
	A-2220-14AB501		A-2220-14AE102		A-2220-14AF102		A-2220-14AJ102		A-2220-14AL102		A-2220-14AM102
09-78-1157	A-2220-15AB501		A-2220-15AE102		A-2220-15AF102		A-2220-15AJ102		A-2220-15AL102		A-2220-15AM102
	A-2220-16AB501	09-57-4164	A-2220-16AE102		A-2220-16AF102		A-2220-16AJ102		A-2220-16AL102		A-2220-16AM102
	A-2220-17AB501		A-2220-17AE102		A-2220-17AF102		A-2220-17AJ102		A-2220-17AL102		A-2220-17AM102
	A-2220-18AB501		A-2220-18AE102		A-2220-18AF102		A-2220-18AJ102		A-2220-18AL102		A-2220-18AM102

UPDATE TITLE BLOCK EC NO. UCP2006-1782 DRAWN BY 2006/05/24 CHECKED BY 2006/06/06 APPR. ESM/TH 2006/06/06 REV DESCRIPTION	QUALITY SYMBOLS ▽=0 ▽=0	GENERAL TOLERANCES (UNLESS SPECIFIED) 4 PLACES ± --- ± --- 3 PLACES ± --- ± --- 2 PLACES ± --- ± --- 1 PLACE ± --- ± --- ANGULAR ±1/2°	DIMENSION STYLE MM/IN DRAWN BY DATE KSS 1984/10/30 CHECKED BY DATE DMS 1984/10/30 APPROVED BY DATE KJA 1984/10/30	SCALE --- DESIGN UNITS INCH THIRD ANGLE PROJECTION	TITLE WAFER ASSEMBLY CHASSIS MOUNT, KK 2220 SERIES DWG. MOLEX INCORPORATED
	DRAFT WHERE APPLICABLE MUST REMAIN WITHIN DIMENSIONS	MATERIAL NO. SEE CHART DOCUMENT NO. SDA-2220 SHEET NO. 3 OF 6	THIS DRAWING CONTAINS INFORMATION THAT IS PROPRIETARY TO MOLEX INCORPORATED AND SHOULD NOT BE USED WITHOUT WRITTEN PERMISSION		

12		11		10		9		8		7		6		5		4		3		2		1	
----	--	----	--	----	--	---	--	---	--	---	--	---	--	---	--	---	--	---	--	---	--	---	--

ib_frame_C_P_ME_T
Rev. D 2004/04/02