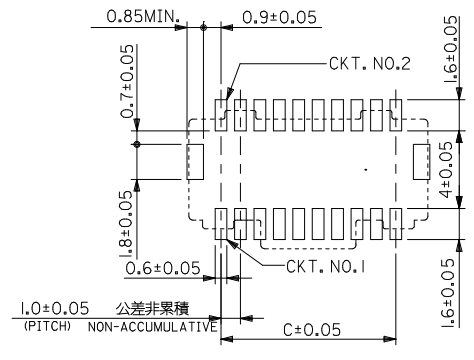
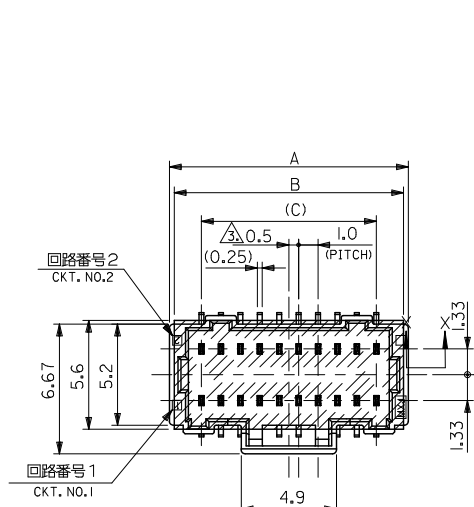
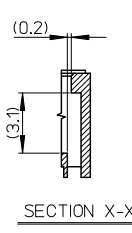
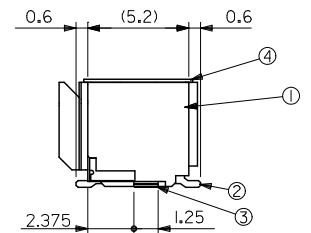
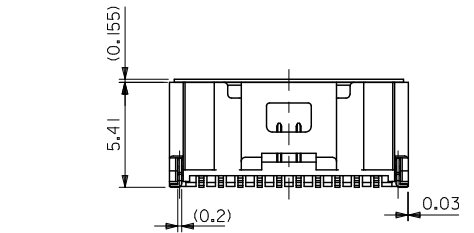


10 9 8 7 6 5 4 3 2 1



参考パターンレイアウト
RECOMMENDED PATTERN DIM. (REF.)



番号 NO.	部品 PART	材質 MATERIAL
①	ウエハー WAFER	耐熱ナイロン, UL94V-0, 色: シート2 参照 HEAT RESISTANCE NYLON, UL94V-0, COLOR: SEE SHEET 2
②	ソルダーピン SOLDER PIN	りん青銅 PHOSPHOR BRONZE 金メッキ: O. 1 μmMIN. GOLD ニッケルメッキ (下地): 1. 0 μmMIN. NICKEL(UNDER PLATING)
③	ネイル NAIL	りん青銅 PHOSPHOR BRONZE 錫メッキ: 1. 0 μmMIN. TIN ニッケルメッキ (下地): 1. 0 μmMIN. NICKEL(UNDER PLATING)
④	カバーテープ COVER TAPE	ポリイミドテープ POLYIMIDE TAPE

- NOTES.
- 嵌合相手: 501189-****
MATE WITH: 501189-****
 - ソルダーピン及びネイル平坦度は、O. 1 MAX.
SOLDER PIN AND NAIL COPLANARITY TO BE O.1MAX.
△3 極数/2=偶数に適用
APPLY FOR CKT SIZE/2=EVEN
 - ELV 及び RoHS 適合品
ELV AND RoHS COMPLIANT.

無 NO	24	27.3	501190-5027	501190-5029	50	
	19	22.3	501190-4027	501190-4029	40	
	14	17.3	501190-3027	501190-3029	30	
	9	12.3	501190-2027	501190-2029	20	
有 YES	24	26.8	501190-5017	501190-5019	50	
	19	21.8	501190-4017	501190-4019	40	
	14	16.8	501190-3017	501190-3019	30	
	9	11.8	501190-2017	501190-2019	20	
			501190-205*	501190-207*		
カバーテープの有無 COVER TAPE	C	B	A	EMBOSSED PACKAGE オーダー番号 ORDER NO.	CONNECTOR SERIES NO.	CKT

REVISED EC NO: J2011-0742 DRAWN BY: DRINKWASHIO CHKD BY: CHIKAKASAKAMA APPR: NUKITA	GENERAL TOLERANCES (UNLESS SPECIFIED)		DIMENSION STYLE MM ONLY		SCALE 5:1	DESIGN UNITS METRIC	THIRD ANGLE PROJECTION
	10 UNDER	±0.2	DRAWN BY NYOSHIDA	DATE 2004/12/17	TITLE 1.0 WIRE TO BOARD CONN. WAFER ASS'Y (2-ROW S/T) -LEAD FREE-		
	10 OVER 30 UNDER	±0.25	CHECKED BY MYAGI	DATE 2004/12/17	MOLEX INCORPORATED		
	30 OVER	±0.3	APPROVED BY ANODA	DATE 2004/12/17	MATERIAL NO. SEE CHART	DOCUMENT NO. SD-501190-003	SHEET NO. 1 OF 2
	ANGULAR ±3°		DRAFT WHERE APPLICABLE MUST REMAIN WITHIN DIMENSIONS		THIS DRAWING CONTAINS INFORMATION THAT IS PROPRIETARY TO MOLEX INCORPORATED AND SHOULD NOT BE USED WITHOUT WRITTEN PERMISSION		

tb_frame_A3_J_ME_S
Rev. D 2004/04/02

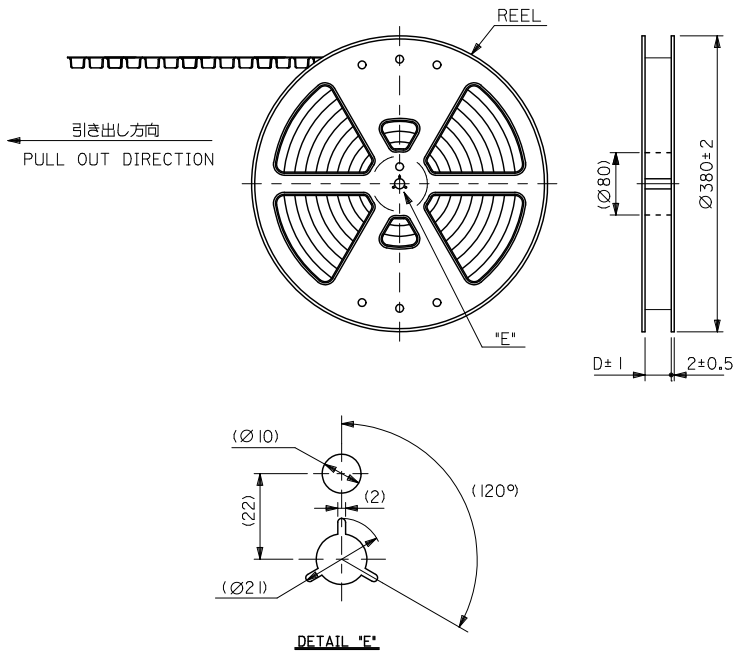
EN-02JA(021)

10 9 8 7 6 5 4 3 2 1

有 YES	緑 GREEN	青 BLUE	赤 RED	黒 BLACK	色 COLOR	
	---	---	---	---	---	50
---	---	---	---	---	40	
---	---	---	---	---	30	
501190-2056	501190-2054	501190-2052	501190-2051	20		
COVER TAPE	EMBOSSSED PACKAGE オーダー番号 ORDER NO.				CKT.	CONNECTOR SERIES NO.
無 NO	自然色 NATURAL			色 COLOR		
	501190-5027			50	501190-***29	
	501190-4027			40		
	501190-3027			30		
501190-2027			20			
COVER TAPE	EMBOSSSED PACKAGE オーダー番号 ORDER NO.				CKT.	CONNECTOR SERIES NO.
有 YES	自然色 NATURAL			色 COLOR		
	501190-5017			50	501190-***19	
	501190-4017			40		
	501190-3017			30		
501190-2017			20			
COVER TAPE	EMBOSSSED PACKAGE オーダー番号 ORDER NO.				CKT.	CONNECTOR SERIES NO.

SEE SHEET 1 EC NO: J2011-0742 DRAWN BY: DRWNKASHIO CHECKED BY: CHYDKASAKANA APPROVED BY: APPRNKIKITA DATE: 2010/12/01 2010/12/02 2010/12/02	GENERAL TOLERANCES (UNLESS SPECIFIED)		DIMENSION STYLE MM ONLY		SCALE 5:1	DESIGN UNITS METRIC	THIRD ANGLE PROJECTION
	10 UNDER	±0.2	DRAWN BY NYOSHIDA	DATE 2004/12/17	TITLE 1.0 WIRE TO BOARD CONN. WAFER ASS'Y (2-ROW S/T) -LEAD FREE-		
	10 OVER 30 UNDER	±0.25	CHECKED BY MYAGI	DATE 2004/12/17	MOLEX INCORPORATED		
	30 OVER	±0.3	APPROVED BY ANODA	DATE 2004/12/17	MATERIAL NO. SEE CHART	DOCUMENT NO. SD-501190-003	SHEET NO. 2 OF 2
	ANGULAR ±3°		THIS DRAWING CONTAINS INFORMATION THAT IS PROPRIETARY TO MOLEX INCORPORATED AND SHOULD NOT BE USED WITHOUT WRITTEN PERMISSION				
DRAFT WHERE APPLICABLE MUST REMAIN WITHIN DIMENSIONS							

10 9 8 7 6 5 4 3 2 1

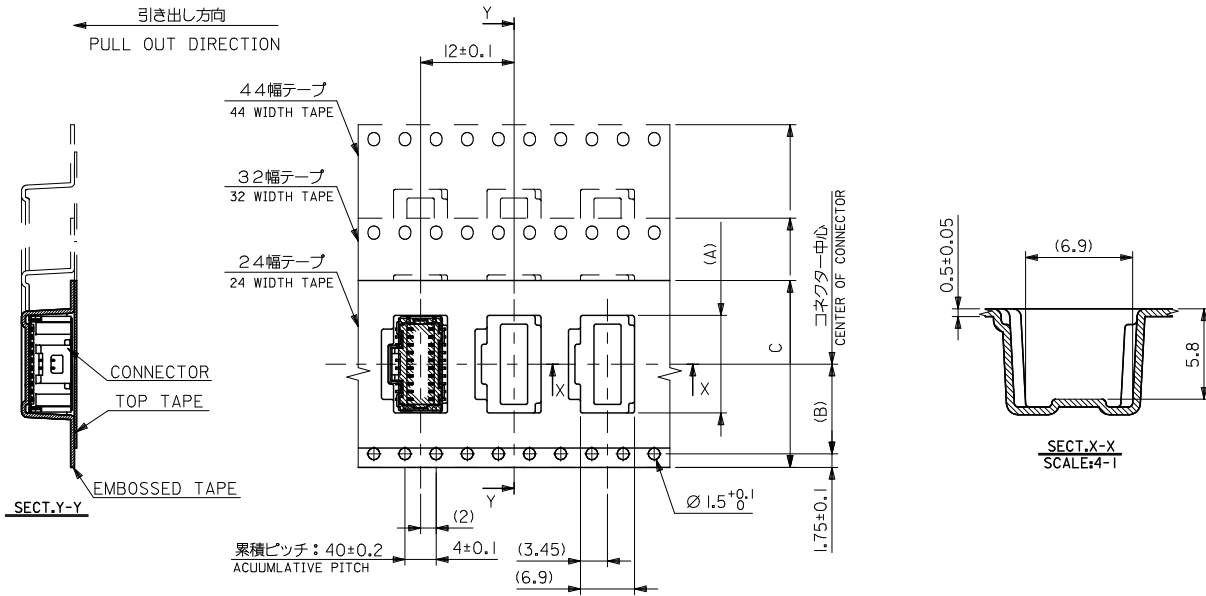


NOTES

- 製品詳細寸法については SD-501190-003 を参照ください。
RE DETAILED DIMENSION, SEE SD-501190-003
- 梱包数量：1100個/リール
NUMBER OF CONNECTORS：1100PIECES/REEL
- リードテープ長さ
LEAD TAPE LENGTH
- トップテープの剥離強度：0.1~1.3N(10.2~132.5gf) (剥離方向は下図参照)
PEELING OFF FORCE OF TOP TAPE (PEELING DIRECTION AS SHOWN IN FOLLOWING FIGURE)
尚、本規格値は、出荷時に適用。(但し、輸送時に剥離が発生しないこと)
THIS REQUIREMENT SHOULD BE APPLIED AT SHIPMENT, PEEL OFF SHOULD NOT BE ALLOWED, DURING TRANSPORTATION.
- 材料
MATERIAL
キャリアテープ：ポリプロピレン
CARRIER TAPE: POLYPROPYLENE
トップテープ：PET, PE, REF
TOP TAPE
リール：ポリスチレン (リサイクル材を含む)
REEL: POLYSTYRENE (RECYCLE MATERIAL CONTAINED)
- 乾燥剤入り防湿梱包仕様になります。(501190-**17, 501190-**27以外)
INCLUDING DESICCANT TAPING PACKAGE.
(BESIDES 501190-**17, 501190-**27)
- ELV 及び RoHS 適合品
ELV AND RoHS COMPLIANT.

REVISED EC NO: J2011-0742 DRAWN BY: DRWNKASHIO CHECKED BY: CHYKOKASAKANA APPROVED BY: APPRNKIKITA	DESCRIPTION 2010/12/01 2010/12/02 2010/12/02	GENERAL TOLERANCES (UNLESS SPECIFIED)		DIMENSION STYLE MM ONLY		SCALE ---	DESIGN UNITS METRIC	THIRD ANGLE PROJECTION	
		10 UNDER	±0.2	DRAWN BY NYOSHIDA	DATE 2004/12/17	TITLE 1.0 WIRE TO BOARD CONN. WAFER ASS'Y (2-ROW S/T) EMBTP PKG -LEAD FREE-			
		10 OVER 30 UNDER	±0.25	CHECKED BY MYAGI	DATE 2004/12/17	MOLEX INCORPORATED			
		30 OVER	±0.3	APPROVED BY ANODA	DATE 2004/12/17	DOCUMENT NO. SD-501190-004			
ANGULAR ±3°		DRAFT WHERE APPLICABLE MUST REMAIN WITHIN DIMENSIONS		MATERIAL NO. SEE SHEET 2		SHEET NO. 1 OF 3		SIZE A3	
THIS DRAWING CONTAINS INFORMATION THAT IS PROPRIETARY TO MOLEX INCORPORATED AND SHOULD NOT BE USED WITHOUT WRITTEN PERMISSION									

10 9 8 7 6 5 4 3 2 1



無 NO	45.5	44±0.3	20.2	27.6	501190-5029	501190-5027	50
	33.5	32±0.3	14.2	17.6	501190-4029	501190-4027	40
	25.5	24±0.3	11.5	12.6	501190-3029	501190-3027	30
有 YES	45.5	44±0.3	20.2	27.6	501190-5019	501190-5017	50
	33.5	32±0.3	14.2	17.6	501190-4019	501190-4017	40
	25.5	24±0.3	11.5	12.6	501190-3019	501190-3017	30
現着用カバーテープの有無 COVER TAPE	D	C	(B)	(A)	CONNECTOR SERIES NO.	EMBOSSED PACKAGE オーダー番号 ORDER NO.	CKTS.

REVISED EC NO: J2011-0742 DRAWN BY: DRINKWASHIO CHKD BY: CHYOKIKASAKANA APPR: NIKITA 2010/12/01 2010/12/02 2010/12/02	GENERAL TOLERANCES (UNLESS SPECIFIED)		DIMENSION STYLE MM ONLY		SCALE ---	DESIGN UNITS METRIC	THIRD ANGLE PROJECTION
	10 UNDER	±0.2	DRAWN BY NYOSHIDA	DATE 2004/12/17	TITLE 1.0 WIRE TO BOARD CONN. WAFER ASS'Y (2-ROW S/T) EMBTP PKG -LEAD FREE-		
	10 OVER 30 UNDER	±0.25	CHECKED BY MYAGI	DATE 2004/12/17	MOLEX INCORPORATED		
	30 OVER	±0.3	APPROVED BY ANODA	DATE 2004/12/17	DOCUMENT NO. SD-501190-004	SHEET NO. 2 OF 3	
ANGULAR ±3 °		MATERIAL NO. SEE CHART		THIS DRAWING CONTAINS INFORMATION THAT IS PROPRIETARY TO MOLEX INCORPORATED AND SHOULD NOT BE USED WITHOUT WRITTEN PERMISSION			
DRAFT WHERE APPLICABLE MUST REMAIN WITHIN DIMENSIONS		SIZE A3					

10 9 8 7 6 5 4 3 2 1

有 YES	緑 GREEN	青 BLUE	赤 RED	黒 BLACK	色 COLOR	
	---	---	---	---	---	50
---	---	---	---	---	40	
---	---	---	---	---	30	
501190-2056	501190-2054	501190-2052	501190-2051	20		
COVER TAPE	EMBOSSED PACKAGE オーダー番号 ORDER NO.				CKT.	CONNECTOR SERIES NO.
無 NO	自然色 NATURAL			色 COLOR		
	501190-5027			50	501190-***29	
	501190-4027			40		
	501190-3027			30		
501190-2027			20			
COVER TAPE	EMBOSSED PACKAGE オーダー番号 ORDER NO.				CKT.	CONNECTOR SERIES NO.
有 YES	自然色 NATURAL			色 COLOR		
	501190-5017			50	501190-***19	
	501190-4017			40		
	501190-3017			30		
501190-2017			20			
COVER TAPE	EMBOSSED PACKAGE オーダー番号 ORDER NO.				CKT.	CONNECTOR SERIES NO.

SEE SHEET 1 EC NO: J2011-0742 DRAWN BY: DRWNKASHIO CHKD: KASAKANA APPR: NIKITA	GENERAL TOLERANCES (UNLESS SPECIFIED)		DIMENSION STYLE MM ONLY		SCALE ---	DESIGN UNITS METRIC	THIRD ANGLE PROJECTION
	10 UNDER	±0.2	DRAWN BY NYOSHIDA	DATE 2004/12/17	TITLE 1.0 WIRE TO BOARD CONN. WAFER ASS'Y (2-ROW S/T) EMBTP PKG -LEAD FREE-		
	10 OVER 30 UNDER	±0.25	CHECKED BY MYAGI	DATE 2004/12/17	MOLEX INCORPORATED		
	30 OVER	±0.3	APPROVED BY ANODA	DATE 2004/12/17	MATERIAL NO. SEE CHART	DOCUMENT NO. SD-501190-004	SHEET NO. 3 OF 3
	ANGULAR ±3°		THIS DRAWING CONTAINS INFORMATION THAT IS PROPRIETARY TO MOLEX INCORPORATED AND SHOULD NOT BE USED WITHOUT WRITTEN PERMISSION				
DRAFT WHERE APPLICABLE MUST REMAIN WITHIN DIMENSIONS							