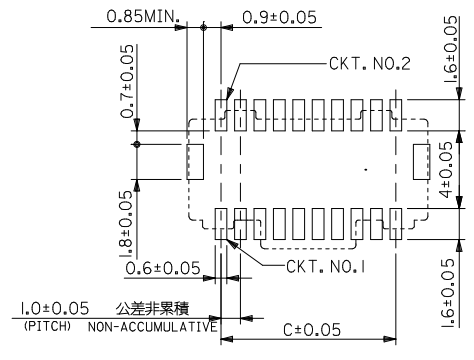
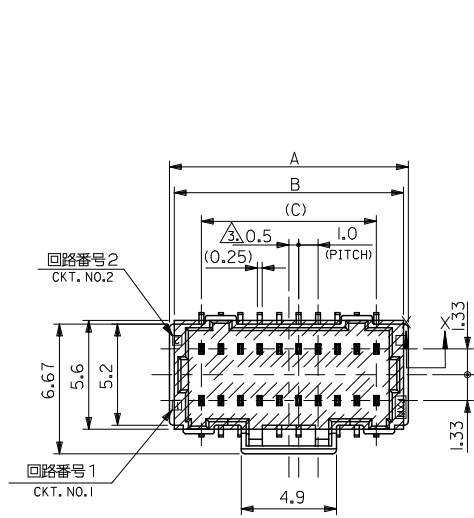
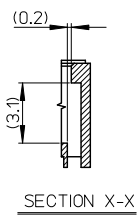
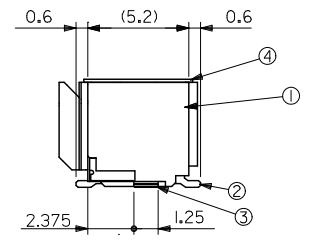
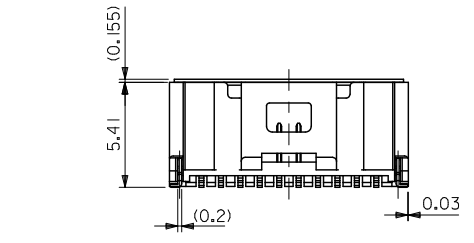


10 9 8 7 6 5 4 3 2 1



参考パターンレイアウト
RECOMMENDED PATTERN DIM. (REF.)



番号 NO.	部品 PART	材質 MATERIAL
①	ウエハー WAFER	耐熱ナイロン, UL94V-0, 色: シート2 参照 HEAT RESISTANCE NYLON, UL94V-0. COLOR: SEE SHEET 2
②	ソルダーピン SOLDER PIN	りん青銅 PHOSPHOR BRONZE 金メッキ: O. 1 μm MIN. GOLD ニッケルメッキ (下地): 1.0 μm MIN. NICKEL (UNDER PLATING)
③	ネイル NAIL	りん青銅 PHOSPHOR BRONZE 錫メッキ: 1.0 μm MIN. TIN ニッケルメッキ (下地): 1.0 μm MIN. NICKEL (UNDER PLATING)
④	カバーテープ COVER TAPE	ポリイミドテープ POLYIMIDE TAPE

- NOTES.
- 嵌合相手: 501189-****
MATE WITH: 501189-****
 - ソルダーピン及びネイル平坦度は、O. 1 MAX.
SOLDER PIN AND NAIL COPLANARITY TO BE 0.1 MAX.
△3 極数/2=偶数に適用
APPLY FOR CKT SIZE/2=EVEN
 - ELV 及び RoHS 適合品
ELV AND RoHS COMPLIANT.

無 NO	24	27.3	501190-5027	501190-5029	50	
	19		501190-4027	501190-4029	40	
	14		501190-3027	501190-3029	30	
	9		501190-2027	501190-2029	20	
有 YES	24	26.8	27.3	501190-5017	501190-5019	50
	19	21.8	22.3	501190-4017	501190-4019	40
	14	16.8	17.3	501190-3017	501190-3019	30
	9	11.8	12.3	501190-2017	501190-2019	20
			501190-205*	501190-207*		
カバーテープの有無 COVER TAPE	C	B	A	EMBOSSED PACKAGE オーダー番号 ORDER NO.	CONNECTOR SERIES NO.	CKT

REVISED EC NO: J2011-0742 DRAWN BY: DRINKWASHIO 2010/12/01 CHECKED BY: CHYOKIKAKAMA 2010/12/02 APPR: NUKITA 2010/12/02	GENERAL TOLERANCES (UNLESS SPECIFIED)		DIMENSION STYLE MM ONLY		SCALE 5:1	DESIGN UNITS METRIC	THIRD ANGLE PROJECTION
	10 UNDER	±0.2	DRAWN BY NYOSHIDA	DATE 2004/12/17	TITLE 1.0 WIRE TO BOARD CONN. WAFER ASS'Y (2-ROW S/T) -LEAD FREE-		
	10 OVER 30 UNDER	±0.25	CHECKED BY MYAGI	DATE 2004/12/17	MOLEX INCORPORATED		
	30 OVER	±0.3	APPROVED BY ANODA	DATE 2004/12/17	MATERIAL NO. SEE CHART	DOCUMENT NO. SD-501190-003	SHEET NO. 1 OF 2
	ANGULAR ±3°		DRAFT WHERE APPLICABLE MUST REMAIN WITHIN DIMENSIONS		THIS DRAWING CONTAINS INFORMATION THAT IS PROPRIETARY TO MOLEX INCORPORATED AND SHOULD NOT BE USED WITHOUT WRITTEN PERMISSION		

tb_frame_A3_J_ME_S
Rev. D 2004/04/02

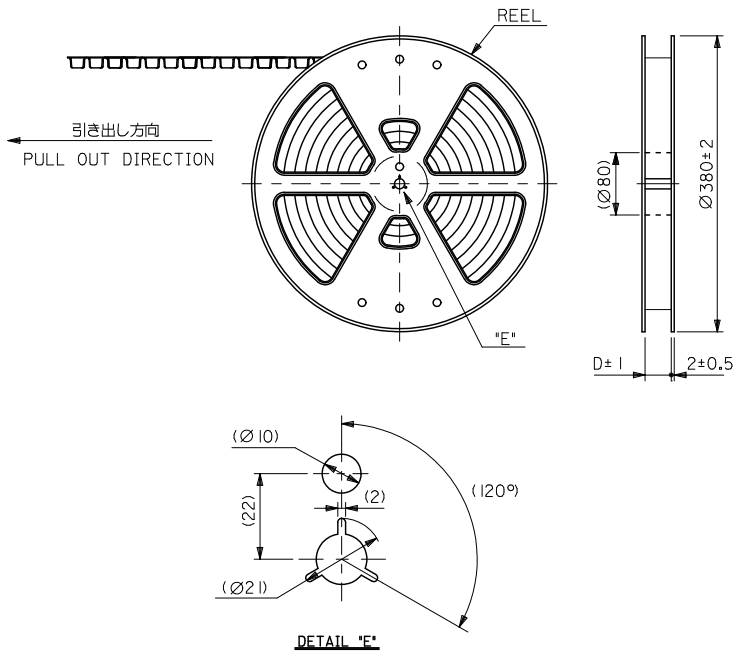
EN-02JA(021)

10 9 8 7 6 5 4 3 2 1

有 YES	緑 GREEN	青 BLUE	赤 RED	黒 BLACK	色 COLOR		
	---	---	---	---	---	50	501190-***7*
---	---	---	---	---	40		
---	---	---	---	---	30		
---	---	---	---	---	20		
COVER TAPE	EMBOSSSED PACKAGE オーダー番号 ORDER NO.				CKT.	CONNECTOR SERIES NO.	
無 NO	自然色 NATURAL				色 COLOR		
	501190-5027				50	501190-***29	
	501190-4027				40		
	501190-3027				30		
501190-2027				20			
COVER TAPE	EMBOSSSED PACKAGE オーダー番号 ORDER NO.				CKT.	CONNECTOR SERIES NO.	
有 YES	自然色 NATURAL				色 COLOR		
	501190-5017				50	501190-***19	
	501190-4017				40		
	501190-3017				30		
501190-2017				20			
COVER TAPE	EMBOSSSED PACKAGE オーダー番号 ORDER NO.				CKT.	CONNECTOR SERIES NO.	

SEE SHEET 1 EC NO: J2011-0742 DRW: NYKASHIO CHK: KASAKANA APPR: NIKITA	GENERAL TOLERANCES (UNLESS SPECIFIED)		DIMENSION STYLE MM ONLY		SCALE 5:1	DESIGN UNITS METRIC	THIRD ANGLE PROJECTION
	10 UNDER	±0.2	DRAWN BY NYOSHIDA	DATE 2004/12/17	TITLE 1.0 WIRE TO BOARD CONN. WAFER ASS'Y (2-ROW S/T) -LEAD FREE-		
	10 OVER 30 UNDER	±0.25	CHECKED BY MYAGI	DATE 2004/12/17	MOLEX INCORPORATED SD-501190-003		
	30 OVER	±0.3	APPROVED BY ANODA	DATE 2004/12/17			
	ANGULAR ±3°		MATERIAL NO. SEE CHART		DOCUMENT NO.	SHEET NO. 2 OF 2	
DRAFT WHERE APPLICABLE MUST REMAIN WITHIN DIMENSIONS		THIS DRAWING CONTAINS INFORMATION THAT IS PROPRIETARY TO MOLEX INCORPORATED AND SHOULD NOT BE USED WITHOUT WRITTEN PERMISSION					

10 9 8 7 6 5 4 3 2 1

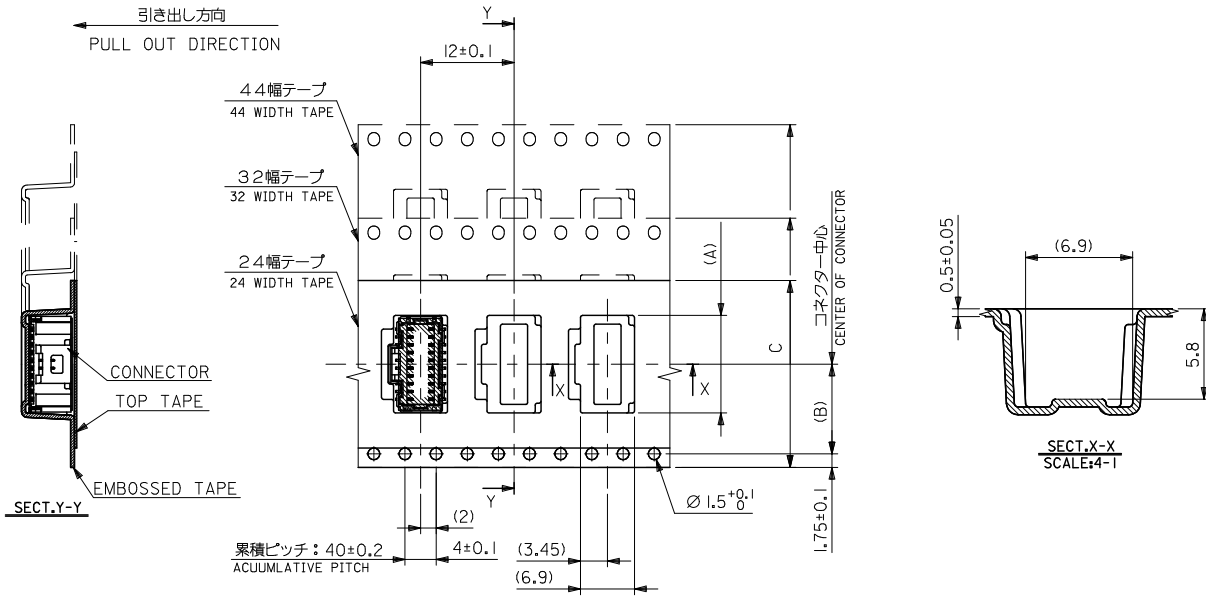


NOTES

- 製品詳細寸法については SD-501190-003 を参照ください。
RE DETAILED DIMENSION, SEE SD-501190-003
- 梱包数量：1100個/リール
NUMBER OF CONNECTORS：1100PIECES/REEL
- リードテープ長さ
LEAD TAPE LENGTH
- トップテープの剥離強度：0.1~1.3N(10.2~132.5gf) (剥離方向は下図参照)
PEELING OFF FORCE OF TOP TAPE (PEELING DIRECTION AS SHOWN IN FOLLOWING FIGURE)
尚、本規格値は、出荷時に適用。(但し、輸送時に剥離が発生しないこと)
THIS REQUIREMENT SHOULD BE APPLIED AT SHIPMENT.
PEEL OFF SHOULD NOT BE ALLOWED, DURING TRANSPORTATION.
- 材料
MATERIAL
キャリアテープ：ポリプロピレン
CARRIER TAPE:POLYPROPYLENE
トップテープ：PET, PE, REF
TOP TAPE
リール：ポリスチレン (リサイクル材を含む)
REEL: POLYSTYRENE (RECYCLE MATERIAL CONTAINED)
- 乾燥剤入り防湿梱包仕様になります。(501190-**17, 501190-**27以外)
INCLUDING DESICCANT TAPING PACKAGE.
(BESIDES 501190-**17, 501190-**27)
- ELV 及び RoHS 適合品
ELV AND RoHS COMPLIANT.

REVISED EC NO: J2011-0742 DRAWN BY: DRWNKASHIO CHKD: KASAKANA APPR: NIKITA	DESCRIPTION 2010/12/01 2010/12/02 2010/12/02	GENERAL TOLERANCES (UNLESS SPECIFIED)		DIMENSION STYLE MM ONLY		SCALE ---	DESIGN UNITS METRIC	THIRD ANGLE PROJECTION	
		10 UNDER	±0.2	DRAWN BY NYOSHIDA	DATE 2004/12/17	TITLE 1.0 WIRE TO BOARD CONN. WAFER ASS'Y (2-ROW S/T) EMBTP PKG -LEAD FREE-			
		10 OVER 30 UNDER	±0.25	CHECKED BY MYAGI	DATE 2004/12/17	MOLEX INCORPORATED			
		30 OVER	±0.3	APPROVED BY ANODA	DATE 2004/12/17	DOCUMENT NO. SD-501190-004			
ANGULAR ±3 °		DRAFT WHERE APPLICABLE MUST REMAIN WITHIN DIMENSIONS		MATERIAL NO. SEE SHEET 2		SHEET NO. 1 OF 3		SIZE A3	
THIS DRAWING CONTAINS INFORMATION THAT IS PROPRIETARY TO MOLEX INCORPORATED AND SHOULD NOT BE USED WITHOUT WRITTEN PERMISSION									

10 9 8 7 6 5 4 3 2 1



無 NO	45.5	44±0.3	20.2	27.6	501190-5029	501190-5027	50
	33.5	32±0.3	14.2	17.6	501190-4029	501190-4027	40
	25.5	24±0.3	11.5	12.6	501190-3029	501190-3027	30
有 YES	45.5	44±0.3	20.2	27.6	501190-5019	501190-5017	50
	33.5	32±0.3	14.2	17.6	501190-4019	501190-4017	40
	25.5	24±0.3	11.5	12.6	501190-3019	501190-3017	30
					501190-2019	501190-2017	20
					501190-207*	501190-205*	20
現着用カバーテープの有無 COVER TAPE	D	C	(B)	(A)	CONNECTOR SERIES NO.	EMBOSSED PACKAGE オーダー番号 ORDER NO.	CKTS.

REVISED EC NO: J2011-0742 DRAWN BY: DRINKWASHIO CHKD BY: CHYOKIKASAKANA APPR: NIKITA 2010/12/01 2010/12/02 2010/12/02	GENERAL TOLERANCES (UNLESS SPECIFIED)		DIMENSION STYLE MM ONLY		SCALE ---	DESIGN UNITS METRIC	THIRD ANGLE PROJECTION
	10 UNDER	±0.2	DRAWN BY NYOSHIDA	DATE 2004/12/17	TITLE 1.0 WIRE TO BOARD CONN. WAFER ASS'Y (2-ROW S/T) EMBTP PKG -LEAD FREE-		
	10 OVER 30 UNDER	±0.25	CHECKED BY MYAGI	DATE 2004/12/17	MOLEX INCORPORATED		
	30 OVER	±0.3	APPROVED BY ANODA	DATE 2004/12/17	MATERIAL NO. SEE CHART	DOCUMENT NO. SD-501190-004	SHEET NO. 2 OF 3
	ANGULAR ±3°	DRAFT WHERE APPLICABLE MUST REMAIN WITHIN DIMENSIONS					
SIZE A3						THIS DRAWING CONTAINS INFORMATION THAT IS PROPRIETARY TO MOLEX INCORPORATED AND SHOULD NOT BE USED WITHOUT WRITTEN PERMISSION	

10 9 8 7 6 5 4 3 2 1

有 YES	緑 GREEN	青 BLUE	赤 RED	黒 BLACK	色 COLOR	
	---	---	---	---	---	50
---	---	---	---	---	40	
---	---	---	---	---	30	
501190-2056	501190-2054	501190-2052	501190-2051	20		
COVER TAPE	EMBOSSED PACKAGE オーダー番号 ORDER NO.				CKT.	CONNECTOR SERIES NO.
無 NO	自然色 NATURAL			色 COLOR		
	501190-5027			50	501190-**29	
	501190-4027			40		
	501190-3027			30		
501190-2027			20			
COVER TAPE	EMBOSSED PACKAGE オーダー番号 ORDER NO.				CKT.	CONNECTOR SERIES NO.
有 YES	自然色 NATURAL			色 COLOR		
	501190-5017			50	501190-**19	
	501190-4017			40		
	501190-3017			30		
501190-2017			20			
COVER TAPE	EMBOSSED PACKAGE オーダー番号 ORDER NO.				CKT.	CONNECTOR SERIES NO.

SEE SHEET 1 EC NO: J2011-0742 DRAWN BY: DRWNKASHIO CHKD: KASAKANA APPR: NIKITA	GENERAL TOLERANCES (UNLESS SPECIFIED)		DIMENSION STYLE MM ONLY		SCALE ---	DESIGN UNITS METRIC	THIRD ANGLE PROJECTION
	10 UNDER	±0.2	DRAWN BY NYOSHIDA	DATE 2004/12/17	TITLE 1.0 WIRE TO BOARD CONN. WAFER ASS'Y (2-ROW S/T) EMBTP PKG -LEAD FREE-		
	10 OVER 30 UNDER	±0.25	CHECKED BY MYAGI	DATE 2004/12/17	MOLEX INCORPORATED		
	30 OVER	±0.3	APPROVED BY ANODA	DATE 2004/12/17	MATERIAL NO. SEE CHART	DOCUMENT NO. SD-501190-004	SHEET NO. 3 OF 3
	ANGULAR ±3°		THIS DRAWING CONTAINS INFORMATION THAT IS PROPRIETARY TO MOLEX INCORPORATED AND SHOULD NOT BE USED WITHOUT WRITTEN PERMISSION				
DRAFT WHERE APPLICABLE MUST REMAIN WITHIN DIMENSIONS							