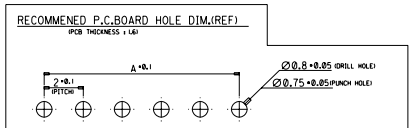
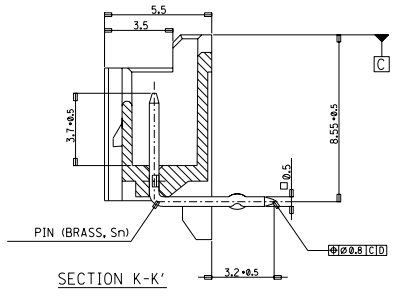
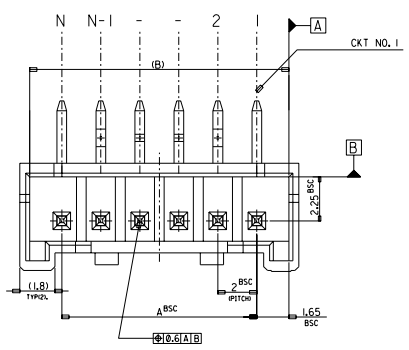


DWG. NO. SD-35363-002  
 SIMILAR ITEM  
 PROJECT NO.  
 C  
 B  
 DO NOT SCALE DRAWING DIMENSION IN METRIC

LEAD FREE



LEGEND

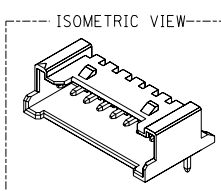
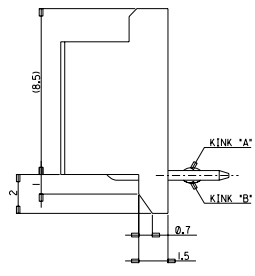
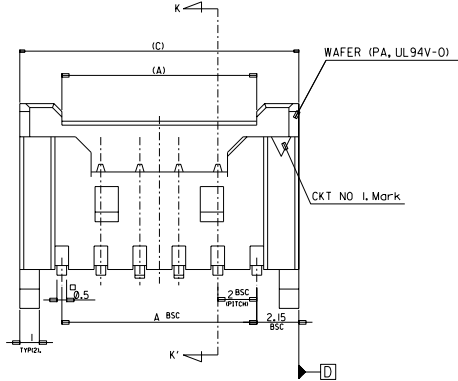
SD-35363-\*\*-\*\*6\*\*

CTK NO. → \*\*

LEAD FREE → \*\*

COLOR

- 0 : NATURAL
- 1 : BLACK
- 2 : RED
- 3 : YELLOW
- 4 : BLUE
- 5 : GREEN



32.3	31.3	28	-156*	-156*	15
30.3	29.3	26	-146*	-146*	14
28.3	27.3	24	-136*	-136*	13
26.3	25.3	22	-126*	-126*	12
24.3	23.3	20	-116*	-116*	11
22.3	21.3	18	-106*	-106*	10
20.3	19.3	16	-096*	-096*	9
18.3	17.3	14	-086*	-086*	8
16.3	15.3	12	-076*	-076*	7
14.3	13.3	10	-066*	-066*	6
12.3	12.3	8	-056*	-056*	5
10.3	9.3	6	35363046*	35363-046*	4
(C)	(B)	A	MATERIAL NO.	ENG. NO.	CKT

- NOTES
- MATERIAL : WAFER : POLYAMIDE(PA), NO GLASS, UL94V-0  
PIN : BRASS
  - FINISHES : TERMINAL : Sn 2+3um OVERALL
  - PRODUCT SPECIFICATION : PS-35507-003
  - MATING HOUSING : 35507-\*\*-0\*  
MATING TERMINAL : 50212-80000
  - KINK

CKT NO	1	2	3	4	5	N-2	N-1	N
6 CKT OVER	-	A	B	-	-	B	A	-
5 CKT	A	B	-	B	A			
4 CKT	A	B	B	A				

30 over	±0.3
10 over 30 under	±0.25
10 under	±0.2
ANGLE	±3°
GENERAL TOLERANCE	A

Release  
 EC NO. KOR2004-0137  
 DRWN: YSOOKIM 04/02/24  
 CHK: JKOH  
 APPR: CWLEE

QUALITY SYMBOLS

MAJOR =

CRITICAL =

DESCRIPTION

REV

GENERAL TOLERANCES: (UNLESS SPECIFIED)

	mm	INCH
4 PLACES	±0.	±.
3 PLACES	±0.	±.
2 PLACES	±0.	±.
1 PLACE	±0.	±.

ANGULAR: ±

DRAFT WHERE APPLICABLE MUST REMAIN WITHIN DIMENSIONS

SCALE 1 : 1

DESIGN UNITS  mm  INCH

THIRD ANGLE PROJECTION  THIRD ANGLE  FIRST ANGLE

DRAWN BY & DATE: YSOOKIM 96/09/11

CHECKED BY & DATE: J.K.Oh 96/09/11

APPROVED BY & DATE: C.W.Lee 96/09/11

CAD FILENAME: SD35363-002S1.DGN

TITLE: NEW 2.0 W/B CONN  
 WAFER ASSY (R/A) (LEAD FREE)

MATERIAL NO. SEE NOTE

DRAWING NO. SD-35363-002

SHEET NO. 1 OF 3

SIZE B

THIS DRAWING CONTAINS INFORMATION THAT IS PROPRIETARY TO MOLEX INCORPORATED AND SHOULD NOT BE USED WITHOUT WRITTEN PERMISSION.

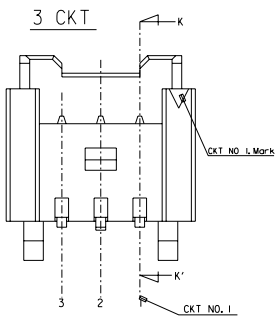
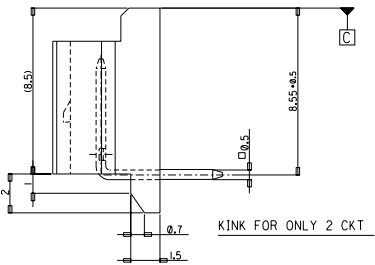
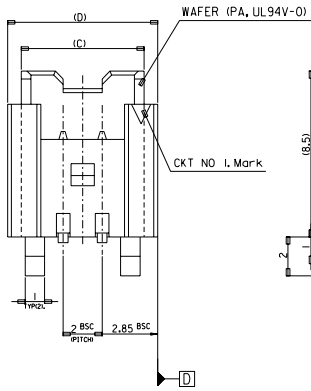
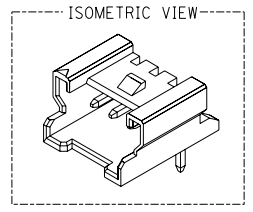
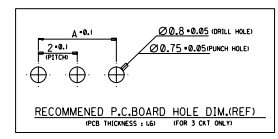
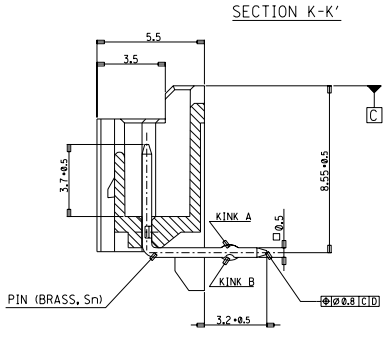
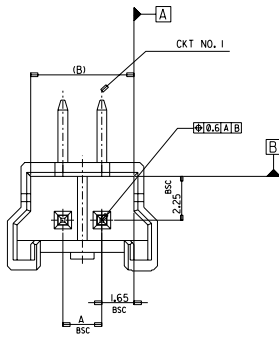
MX-A3

DWG. NO. SD-35363-002  
 SIMILAR ITEM  
 PROJECT NO.  
 C  
 B  
 DO NOT SCALE DRAWING DIMENSION IN METRIC

8 7 6 5 4 3 2 1

LEAD FREE

FOR 2 & 3 CKTS.



LEGEND		COLOR
SD-35363-6*	6*	0 : NATURAL
CKT NO. 1, Mark		1 : BLACK
LEAD FREE		2 : RED
		3 : YELLOW
		4 : BLUE
		5 : GREEN

9.7	8.3	7.3	4	35363036*	-036*	3
7.7	6.3	5.3	2	35363026*	35363-026*	2
(D)	(C)	(B)	A	MATERIAL NO.	ENG. NO.	CKT

- NOTES
- MATERIAL : WAFER : POLYAMIDE(PA), NO GLASS, UL94V-0  
PIN : BRASS
  - FINISHES : TERMINAL : Sn 2+3um OVERALL
  - PRODUCT SPECIFICATION : PS-35507-003
  - MATING HOUSING : 35507-\*\*\*0\*
  - MATING TERMINAL : 50212-8000
  - KINK

CKT	CKT NO.	1	2	3
2 CKT	NONE	KINK		
3 CKT	A	B	A	

30 over	±0.3
10 over 30 under	±0.25
10 under	±0.2
ANGLE	±3°
GENERAL TOLERANCE	

Release	KOR2004-0137
EC NO.	YS00KIM 04/02/24
DRWN:	YS00KIM
CHK:	JKOH
APPR:	CWLEE
REV	DESCRIPTION
A	

QUALITY SYMBOLS	GENERAL TOLERANCES: (UNLESS SPECIFIED)
MAJOR =	mm INCH
CRITICAL =	4 PLACES ±0. ±.
C =	3 PLACES ±0. ±.
	2 PLACES ±0. ±.
	1 PLACE ±0. ±.
	ANGULAR: ±
	DRAFT WHERE APPLICABLE MUST REMAIN WITHIN DIMENSIONS

SCALE	DESIGN UNITS
1 : 1	mm INCH
DRAWN BY & DATE	THIRD ANGLE PROJECTION
YS00KIM 96/09/11	
CHECKED BY & DATE	TITLE:
J.K.Oh 96/09/11	NEW 2.0 W/B CONN
APPROVED BY & DATE	WAFER ASSY (R/A) (LEAD FREE)
C.W.Lee 96/09/11	
CAD FILENAME	MATERIAL NO.
SD35363-001S2.DGN	SEE NOTE
	DRAWING NO.
	SD-35363-002
	SHEET NO.
	2 OF 3
	SIZE
	B

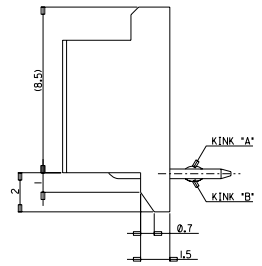
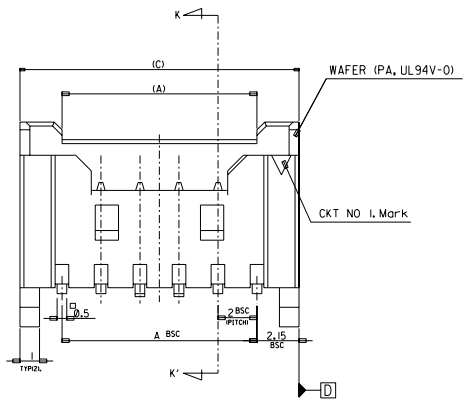
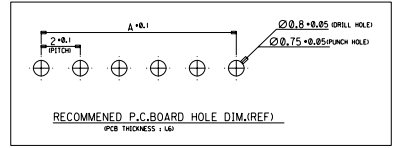
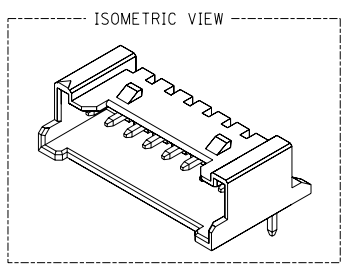
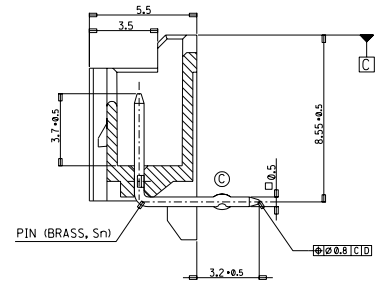
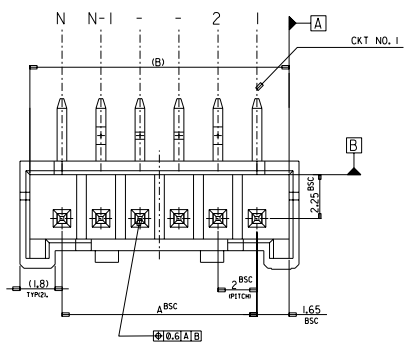
DIMENSIONS:	SMT	REV
mm INCH		
mm ONLY		
		REVISE ON CAD ONLY

8 7 6 5 4 3 2 1 MX-A3

DWG. NO. SD-35363-002  
 PROJECT NO. C  
 B  
 DO NOT SCALE DRAWING DIMENSION IN METRIC

8 7 6 5 4 3 2 1

LEAD FREE



LEGEND	
SD-35363-***6	COLOR
0	NATURAL
1	BLACK
2	RED
3	YELLOW
4	BLUE
5	GREEN

42.3	41.3	38	35363206*	35363-206*	20
(C)	(B)	A	MATERIAL NO.	ENG. NO.	CKT

- NOTES
- MATERIAL : WAFER : POLYAMIDE(PA), NO GLASS, UL94V-0  
PIN : BRASS
  - FINISHES : TERMINAL : Sn 2+3um OVERALL
  - PRODUCT SPECIFICATION : PS-35507-003
  - MATING HOUSING : 35507-\*\*\*0  
MATING TERMINAL : 50212-8000
  - KINK

CKT NO	1	2	3	4	N-3	N-2	N-1	N
20	-	A	B	-	-	B	A	-

30 over	±0.3
10 over 30 under	±0.25
10 under	±0.2
ANGLE	±3°
GENERAL TOLERANCE	

Release	EC NO. KOR2004-0037	DRWN: YS00KIM	04/02/24	CHK: JIKOH	APPR: CWLEE
DESCRIPTION	MAJOR = CRITICAL =				
REV	A				

GENERAL TOLERANCES: (UNLESS SPECIFIED)	
4 PLACES	±0.
3 PLACES	±0.
2 PLACES	±0.
1 PLACE	±0.
ANGULAR: ±	
DRAFT WHERE APPLICABLE MUST REMAIN WITHIN DIMENSIONS	

SCALE 1:1	DESIGN UNITS mm INCH	THIRD ANGLE PROJECTION	DIMENSIONS: mm INCH mm ONLY	SMT REV
DRAWN BY & DATE YS00KIM 98/04/23		TITLE: NEW 2.0 W/B CONN		
CHECKED BY & DATE J.K.Oh 98/04/23		WAFER ASSY (R/A) (LEAD FREE)		
APPROVED BY & DATE C.W.Lee 98/04/23		MOLEX INCORPORATED		
CAD FILENAME SD35363-002S3.DGN	MATERIAL NO. SEE NOTE	DRAWING NO. SD-35363-002	SHEET NO. 3 OF 3	SIZE B
THIS DRAWING CONTAINS INFORMATION THAT IS PROPRIETARY TO MOLEX INCORPORATED AND SHOULD NOT BE USED WITHOUT WRITTEN PERMISSION.				

8 7 6 5 4 3 2 1 MX-A3