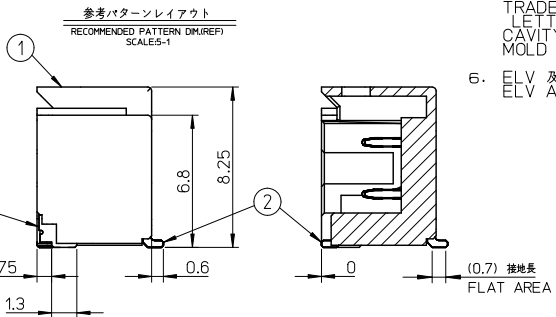
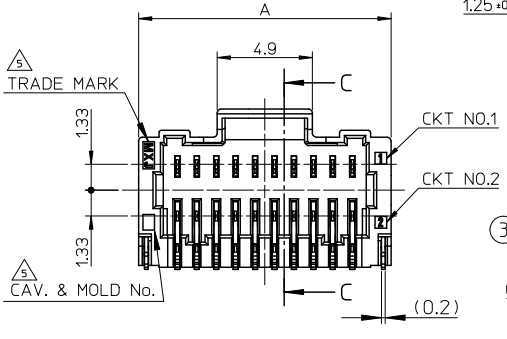
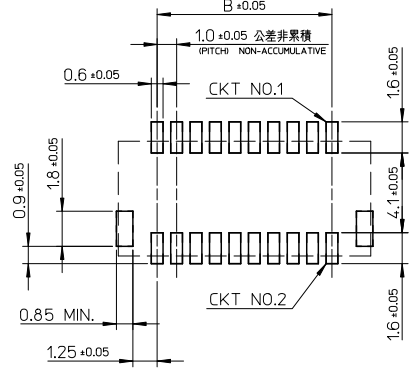
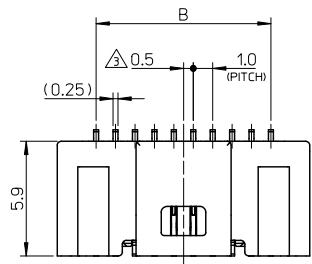


10 9 8 7 6 5 4 3 2 1



NOTES

1. 嵌合相手: 501189-****
MATE WITH: 501189-****
2. ソルダピン及びネールの平均度は0.1MAX.
SOLDER PIN AND NAIL COPLANRITY TO BE 0.1MAX.

△ 極数/2=偶数極の場合に適用
APPLY FOR (CIRCUIT/2)=EVEN

4. 製品番号
MATERIAL No.

501571 - **07 , 501571 - **5**

CIRCUIT SIZE CIRCUIT SIZE 色

△ トレードマーク: MXプラス1文字のアルファベットにて構成
キャビティ番号: 1桁から2桁の数字にて構成
金型番号: アルファベット1文字にて構成
TRADE MARK: FORMED BY MX AND 1 MORE
LETTER OF ALPHABET, BUT "J" MEANS JAPAN. (e.g. MXJ)
CAVITY No.: FORMED BY 1 - 2 DIGIT NUMBERS.
MOLD No.: FORMED BY 1 LETTER OF ALPHABET.

6. ELV 及び RoHS 適合品
ELV AND ROHS COMPLIANT.

番号 NO.	部品 PART	材質 MATERIAL
①	ワエハー WAFER	耐熱ナイロン、UL94V-0、色: シート2参照 HEAT RESISTANCE NYLON, UL94V-0, COLOR: SEE SHEET 2
②	ソルダーピン SOLDER PIN	りん青銅 PHOSPHOR BRONZE 金メッキ : 0.1 MICRO METER MINIMUM. GOLD PLATING ニッケル下地メッキ : 1 MICRO METER MINIMUM. NICKEL UNDER PLATING
③	ネイル NAIL	黄銅 BRASS すずメッキ : 1 MICRO METER MINIMUM. TIN PLATING ニッケル下地メッキ : 1 MICRO METER MINIMUM. NICKEL UNDER PLATING

SECTION C-C

24	28	501571-50**	50
19	23	501571-40**	40
14	18	501571-30**	30
9	13	501571-20**	20
B	A	EMBOSSED PACKAGE オーダー番号 ORDER NO.	CKT

CONNECTOR SERIES No. 501571-****

GENERAL TOLERANCES (UNLESS SPECIFIED)		DIMENSION STYLE		SCALE	DESIGN UNITS	THIRD ANGLE PROJECTION
		MM ONLY		5:1	METRIC	☉
10 UNDER	±0.2	DRAWN BY	DATE	TITLE		
10 OVER 30 UNDER	±0.25	TRSUZUKI	2005/02/14	1.0 WIRE TO BOARD CONN. 2-ROW R/A WAFER ASSY -LEAD FREE-		
30 OVER	±0.3	CHECKED BY	DATE	MOLEX INCORPORATED		
ANGULAR	±3 °	MYAGI	2005/02/14	MATERIAL NO. DOCUMENT NO. SHEET NO.		
DRAFT WHERE APPLICABLE		APPROVED BY	DATE	SD-501571-001		
MUST REMAIN WITHIN DIMENSIONS		ANODA	2005/02/14	1 OF 2		
SEE TABLE		THIS DRAWING CONTAINS INFORMATION THAT IS PROPRIETARY TO MOLEX INCORPORATED AND SHOULD NOT BE USED WITHOUT WRITTEN PERMISSION				

ib_frame_A3_J_AM_S Rev. E 2006/04/15

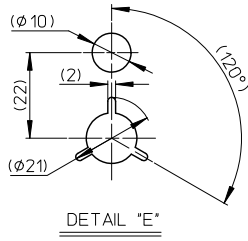
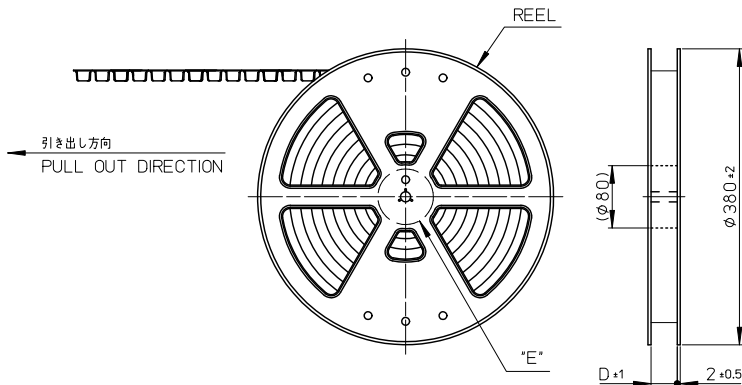
EN-02DA(021)

10 9 8 7 6 5 4 3 2 1

緑 GREEN		青 BLUE		赤 RED		黒 BLACK		自然色 NATURAL		色 COLOR
//	501571-**76	//	501571-**74	//	501571-**72	//	501571-**71	501571-5007	501571-**09	50
//		//		//		//		501571-4007		40
//		//		//		//		501571-3007		30
501571-2056		501571-2054		501571-2052		501571-2051		501571-2007		20
EMBOSSED PACKAGE オ-ダ-番号 ORDER NO.	CONNECTOR SERIES	EMBOSSED PACKAGE オ-ダ-番号 ORDER NO.	CONNECTOR SERIES	EMBOSSED PACKAGE オ-ダ-番号 ORDER NO.	CONNECTOR SERIES	EMBOSSED PACKAGE オ-ダ-番号 ORDER NO.	CONNECTOR SERIES	EMBOSSED PACKAGE オ-ダ-番号 ORDER NO.	CONNECTOR SERIES	CKT.

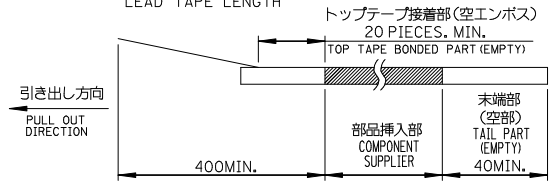
SEE SHEET 1 EC NO: J2011-0742 D/DRINKWASHIO 2010/11/29 CHYDKAKASAKANA 2010/12/02 APPR:NIKIITA 2010/12/02 REV:	GENERAL TOLERANCES (UNLESS SPECIFIED)		DIMENSION STYLE MM ONLY		SCALE 5:1	DESIGN UNITS METRIC	THIRD ANGLE PROJECTION
	10 UNDER	±0.2	DRAWN BY TRSUZUKI	DATE 2005/02/14	TITLE 1.0 WIRE TO BOARD CONN. 2-ROW R/A WAFER ASSY -LEAD FREE-		
	10 OVER 30 UNDER	±0.25	CHECKED BY MYAGI	DATE 2005/02/14	MOLEX INCORPORATED		
	30 OVER	±0.3	APPROVED BY ANODA	DATE 2005/02/14			
	ANGULAR ±3 °		MATERIAL NO. SEE TABLE	DOCUMENT NO. SD-501571-001	SHEET NO. 2 OF 2		
DRAFT WHERE APPLICABLE MUST REMAIN WITHIN DIMENSIONS		THIS DRAWING CONTAINS INFORMATION THAT IS PROPRIETARY TO MOLEX INCORPORATED AND SHOULD NOT BE USED WITHOUT WRITTEN PERMISSION					

10 9 8 7 6 5 4 3 2 1

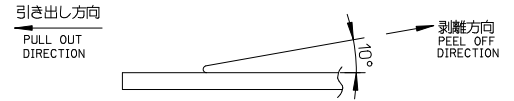


NOTES

- 製品詳細寸法については SD-501571-001 を参照ください。
RE DETAILED DIMENSION, SEE SD-501571-001
- 梱包数量：800 個/リール
NUMBER OF CONNECTORS : 800 PIECES/REEL
- リードテープ長さ
LEAD TAPE LENGTH



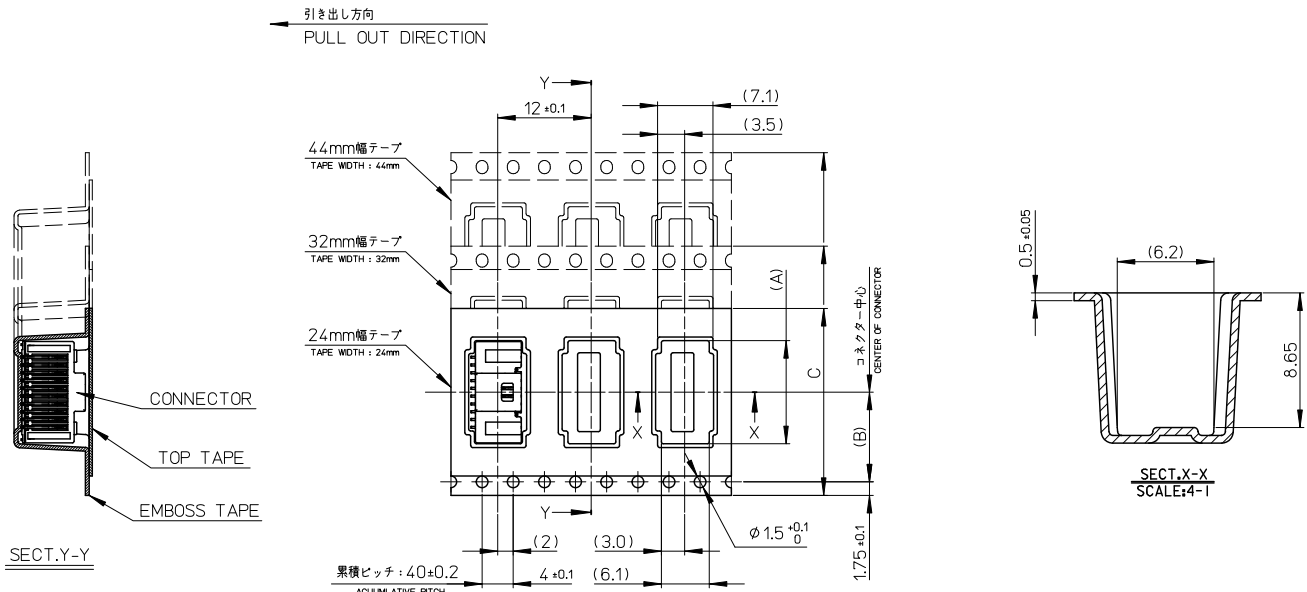
- トップテープの剥離強度：0.1~1.3N(10.2~132.5gf) (剥離方向は下図参照)
PEELING OFF FORCE OF TOP TAPE
(PEELING DIRECTION AS SHOWN IN FOLLOWING FIGURE)
尚、本規格値は、出荷時に適用。(但し、輸送時に剥離が発生しないこと)
THIS REQUIREMENT SHOULD BE APPLIED AT SHIPMENT.
PEEL OFF SHOULD NOT BE ALLOWED, DURING TRANSPORTATION.



- 材料
MATERIAL
キャリアテープ：ポリプロピレン
CARRIER TAPE: POLYPROPYLENE
トップテープ：PET, PE, REF
TOP TAPE
リール：ポリスチレン (リサイクル材を含む)
REEL : POLYSTYRENE (RECYCLE MATERIAL CONTAINED)
- 乾燥剤入り防湿梱包仕様になります。(501571-**07以外)
INCLUDING DESICCANT TAPING PACKAGE.
(BESIDES 501571-**07)
- ELV 及び RoHS 適合品
ELV AND RoHS COMPLIANT.

REVISED EC NO: J2011-0742 DRW: KWASHIO 2010/11/29 CHKD: KASAKANA 2010/12/02 APPR: NIKITA 2010/12/02 A	GENERAL TOLERANCES (UNLESS SPECIFIED)		DIMENSION STYLE MM ONLY	SCALE ---	DESIGN UNITS METRIC	THIRD ANGLE PROJECTION
	10 UNDER	±0.2	DRAWN BY TRSUZUKI	DATE 2005/02/14	TITLE 1.0 WIRE TO BOARD CONN. 2-ROW R/A WAFER ASSY EMBTB PKG -LEAD FREE-	
	10 OVER 30 UNDER	±0.25	CHECKED BY MYAGI	DATE 2005/02/14	MOLEX INCORPORATED	
	30 OVER	±0.3	APPROVED BY ANODA	DATE 2005/02/14	DOCUMENT NO. SD-501571-002	
	ANGULAR ±3 °		MATERIAL NO. SEE SHEET 2	SHEET NO. 1 OF 3		
	DRAFT WHERE APPLICABLE MUST REMAIN WITHIN DIMENSIONS		THIS DRAWING CONTAINS INFORMATION THAT IS PROPRIETARY TO MOLEX INCORPORATED AND SHOULD NOT BE USED WITHOUT WRITTEN PERMISSION			

10 9 8 7 6 5 4 3 2 1



45.5	44±0.3	20.2	28.3	501571-5009	501571-5007	50
			23.3	501571-4009	501571-4007	40
33.5	32±0.3	14.2	18.3	501571-3009	501571-3007	30
				501571-2009	501571-2007	
25.5	24±0.3	11.5	13.3	501571-207*	501571-205*	20
				CONNECTOR SERIES NO.	EMBOSSED PACKAGE ORDER NO.	CKTS.
D	C	(B)	(A)			

SEE SHEET 1 EC NO: J2011-0742 DRW: KAWASHIO CHK: KASAKAWA APPR: NIKITA 2010/12/01 2010/12/02 2010/12/02	GENERAL TOLERANCES (UNLESS SPECIFIED)		DIMENSION STYLE MM ONLY		SCALE ---	DESIGN UNITS METRIC	THIRD ANGLE PROJECTION
	10 UNDER	±0.2	DRAWN BY TRSUZUKI	DATE 2005/02/14	TITLE 1.0 WIRE TO BOARD CONN. 2-ROW R/A WAFER ASSY EMBTP PKG -LEAD FREE-		
	10 OVER 30 UNDER	±0.25	CHECKED BY MYAGI	DATE 2005/02/14	MOLEX INCORPORATED MATERIAL NO. SEE CHART DOCUMENT NO. SD-501571-002 SHEET NO. 2 OF 3		
	30 OVER	±0.3	APPROVED BY ANODA	DATE 2005/02/14			
ANGULAR ±3 °		DRAFT WHERE APPLICABLE MUST REMAIN WITHIN DIMENSIONS		THIS DRAWING CONTAINS INFORMATION THAT IS PROPRIETARY TO MOLEX INCORPORATED AND SHOULD NOT BE USED WITHOUT WRITTEN PERMISSION			

10 9 8 7 6 5 4 3 2 1

緑 GREEN	青 BLUE	赤 RED	黒 BLACK	色 COLOR
---	---	---	---	50
---	---	---	---	40
---	---	---	---	30
501571-2056	501571-2054	501571-2052	501571-2051	20
EMBOSSSED PACKAGE オーダー番号 ORDER NO.				CKT. CONNECTOR SERIES NO.

自然色 NATURAL	色 COLOR
501571-5007	50
501571-4007	40
501571-3007	30
501571-2007	20
EMBOSSSED PACKAGE オーダー番号 ORDER NO.	
CKT.	CONNECTOR SERIES NO.

SEE SHEET 1 EC NO: J2011-0742 DRAWN BY DRUNKASHIO 2010/11/29 CHECKED BY CHYOKIKASAKANA 2010/12/02 APPROVED BY APPR:NUKITA 2010/12/02 A	GENERAL TOLERANCES (UNLESS SPECIFIED)		DIMENSION STYLE MM ONLY		SCALE ---	DESIGN UNITS METRIC	THIRD ANGLE PROJECTION
	10 UNDER	±0.2	DRAWN BY	DATE	TITLE		
	10 OVER 30 UNDER	±0.25	TRSUZUKI	2005/02/14	1.0 WIRE TO BOARD CONN. 2-ROW R/A WAFER ASSY EMBTP PKG -LEAD FREE-		
	30 OVER	±0.3	CHECKED BY	DATE	MOLEX INCORPORATED		
ANGULAR	±3 °	MYAGI	2005/02/14	APPROVED BY	DATE	DOCUMENT NO.	
DRAFT WHERE APPLICABLE MUST REMAIN WITHIN DIMENSIONS		NUKITA	2010/12/02	DATE	2010/12/02	SD-501571-002	
		MATERIAL NO. SEE CHART		SHEET NO.		3 OF 3	
		SIZE A3		THIS DRAWING CONTAINS INFORMATION THAT IS PROPRIETARY TO MOLEX INCORPORATED AND SHOULD NOT BE USED WITHOUT WRITTEN PERMISSION			

ib_frame_A3_J_ME_S
Rev. E 2006/04/15

9 8 7 6 5 4 3 2 1 EN-02JA(021)