

NOTES

1. 嵌合相手 : 502439-**00
MATE WITH : 502439-**00
2. 端子テール部 及び ネイルの平坦度 : 0.1MAX.
TAIL AND NAIL COPLANARITY TO BE 0.1 MAX.
3. 極数 / 2 = 偶数に適用.
APPLY FOR CKT. SIZE / 2 = EVEN.
4. 端子テール部 及び ネイルに錫めっきを使用しているため、
外觀に摺動痕が付く場合が御座います。
THE WOUND OF FRICTION MIGHT ADHERE TO EXTERNALS
BECAUSE THE TIN PLATING IS USED FOR THE TAIL AND NAIL.
5. 本製品のプラスチック部に黒点等が確認される場合や
色合いが異なる場合がありますが、製品性能に影響はありません。
THERE IS NO INFLUENCE IN THE PRODUCT PERFORMANCE THOUGH
THE BLACK SPOT ETC. MIGHT BE CONFIRMED TO THE PLASTIC PART
OF THIS PRODUCT AND THE SHADE MIGHT BE DIFFERENT.

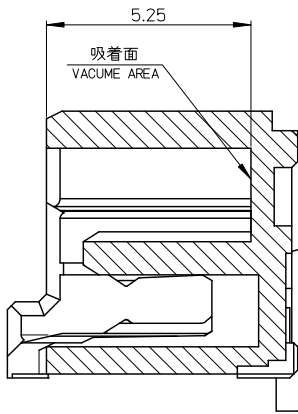
嵌合図 MATED CONNECTORES
(SCALE: 2-1)

16	32	28	34	502443-1570	15
12	30	26	32	502443-1409	14
12	28	24	30	502443-1309	13
12	26	22	28	502443-1209	12
12	18	14	20	502443-0809	8
8	14	10	16	502443-0609	6
6	12	8	14	502443-0509	5
4	10	6	12	502443-0409	4

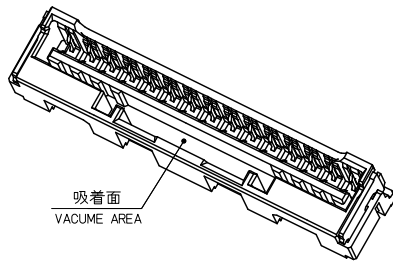
番号 NO.	部品 PART	材質 MATERIAL
①	ハウジング HOUSING	耐熱性樹脂 UL94V-0 色 : ナチュラル HEATPROOF RESIN UL94V-0 COLOR:NATURAL
②	ターミナル TERMINAL	銅合金 COPPER ALLOY 錫めっき : 1.0 micro-meter MIN. TIN (TAIL AREA) ニッケルめっき(下地) : 1.0 micro-meter MIN. NICKEL (UNDER PLATING)
③	ネイル NAIL	銅合金 COPPER ALLOY 錫めっき : 1.0 micro-meter MIN. TIN ニッケルめっき(下地) : 1.0 micro-meter MIN. NICKEL (UNDER PLATING)

REVISED E.C. NO: J2010-0767 2009/10/20 DRW:NITO 2009/10/20 CHK:KASAKAWA 2009/10/21 APPR:NIKIITA 2009/10/21 G REV	GENERAL TOLERANCES (UNLESS SPECIFIED)		DIMENSION STYLE MM ONLY		SCALE 4:1	DESIGN UNITS METRIC	THIRD ANGLE PROJECTION
	10 UNDER	±0.2	DRAWN BY NITO		DATE 2006/12/12		TITLE 2.0 W/B CONN. SINGLE S/T REC. ASSY -LEAD FREE- MOLEX INCORPORATED DOCUMENT NO. SD-502443-002 SHEET NO. 1 OF 2
	10 OVER 30 UNDER	±0.25	CHECKED BY KASAKAWA		DATE 2006/12/12		
	30 OVER	±0.3	APPROVED BY Y01ITO		DATE 2006/12/12		
ANGULAR ±3 °		MATERIAL NO. SEE TABLE		DATE			
DRAFT WHERE APPLICABLE MUST REMAIN WITHIN DIMENSIONS			SIZE A3		THIS DRAWING CONTAINS INFORMATION THAT IS PROPRIETARY TO MOLEX INCORPORATED AND SHOULD NOT BE USED WITHOUT WRITTEN PERMISSION		

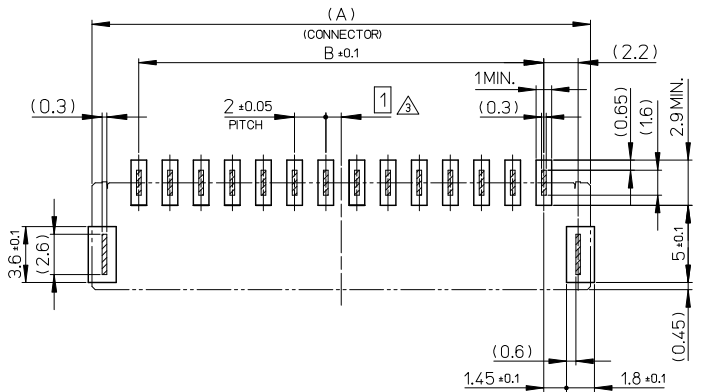
CONFIDENTIAL



SECTION Y-Y
(SCALE:10-1)



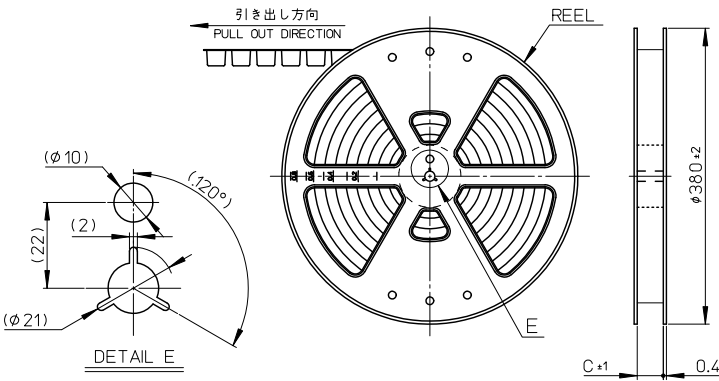
吸着面
VACUME AREA



基板パターンレイアウト(参考)
RECOMMENDED P.C.B. PATTERN LAYOUT (REF.)

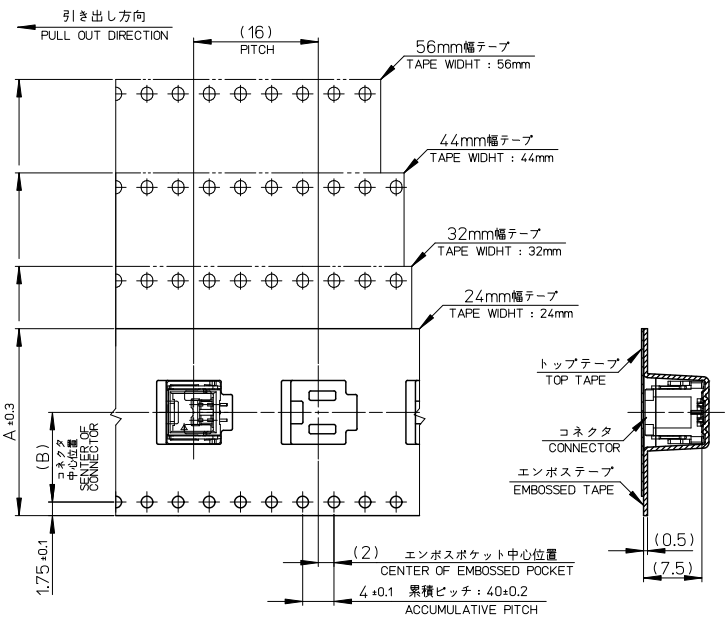
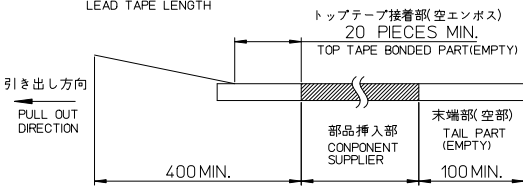
REVISED EC NO: J2010-0767 DRAWN BY CHYDKASAKAWA APPROVED BY APPRENIKITA	GENERAL TOLERANCES (UNLESS SPECIFIED)		DIMENSION STYLE MM ONLY	SCALE 4:1	DESIGN UNITS METRIC	THIRD ANGLE PROJECTION
	10 UNDER	±0.2	DRAWN BY NITO	DATE 2006/12/12	TITLE 2.0 W/B CONN. SINGLE S/T REC. ASSY -LEAD FREE-	
	10 OVER 30 UNDER	±0.25	CHECKED BY KASAKAWA	DATE 2006/12/12	MOLEX INCORPORATED SD-502443-002	
	30 OVER	±0.3	APPROVED BY Y0110	DATE 2006/12/12		
DESCRIPTION	ANGULAR ±3°	DRAFT WHERE APPLICABLE MUST REMAIN WITHIN DIMENSIONS	MATERIAL NO. SEE TABLE	DOCUMENT NO. SD-502443-002	SHEET NO. 2 OF 2	
REV			SIZE A3	THIS DRAWING CONTAINS INFORMATION THAT IS PROPRIETARY TO MOLEX INCORPORATED AND SHOULD NOT BE USED WITHOUT WRITTEN PERMISSION		

10 9 8 7 6 5 4 3 2 1



NOTES

- 製品詳細寸法については、SD-502443-002を参照下さい。
PLEASE REFER TO SD-502443-002 FOR THE DETAILED DIMENSION OF THE CONNECTOR.
- 梱包数量：650個
NUMBER OF CONNECTORS：650 PIECES/REEL.
- リードテープ長さ
LEAD TAPE LENGTH



57.5	26.2	56	502443-1570	15
57.5	26.2	56	502443-1470	14
45.5	20.2	44	502443-1370	13
45.5	20.2	44	502443-1270	12
45.5	20.2	44	502443-0870	8
33.5	14.2	32	502443-0670	6
25.5	11.5	24	502443-0570	5
25.5	11.5	24	502443-0470	4

- 材料
MATERIAL
キャリアテープ：ポリスチレン
CARRIER TAPE：POLYSTYRENE
トップテープ：ポリエステル、ポリエチレン、ポリエチレンテレフタレート
TOP TAPE：POLYESTER、POLYETHYLENE、POLYETHYLENE TEREPHTHALATE
リール：ポリスチレン <リサイクル材を含む>
REEL：POLYSTYRENE <RECYCLE MATERIAL CONTAINED>
- ELV及びRoHS適合品
ELV AND RoHS COMPLIANT

REVISED EC NO: J2010-2403 DRAWN BY NITO CHKD: YOSHINO APPR: NIKITA REV	2010/05/27		2010/12/10		GENERAL TOLERANCES (UNLESS SPECIFIED)		DIMENSION STYLE MM ONLY		SCALE ---	DESIGN UNITS METRIC	THIRD ANGLE PROJECTION
	10 UNDER	±0.2	DRAWN BY NITO		DATE 2006/12/14		TITLE EMBOSSED TAPE PACKAGE FOR 502443				
	10 OVER 30 UNDER	±0.25	CHECKED BY KASAKAWA		DATE 2006/12/14		MATERIAL NO. SEE TABLE				
	30 OVER	±0.3	APPROVED BY YOSHINO		DATE 2006/12/14		DOCUMENT NO. SD-502443-003				
ANGULAR ±3°		DRAFT WHERE APPLICABLE MUST REMAIN WITHIN DIMENSIONS		SIZE A3		THIS DRAWING CONTAINS INFORMATION THAT IS PROPRIETARY TO MOLEX INCORPORATED AND SHOULD NOT BE USED WITHOUT WRITTEN PERMISSION					