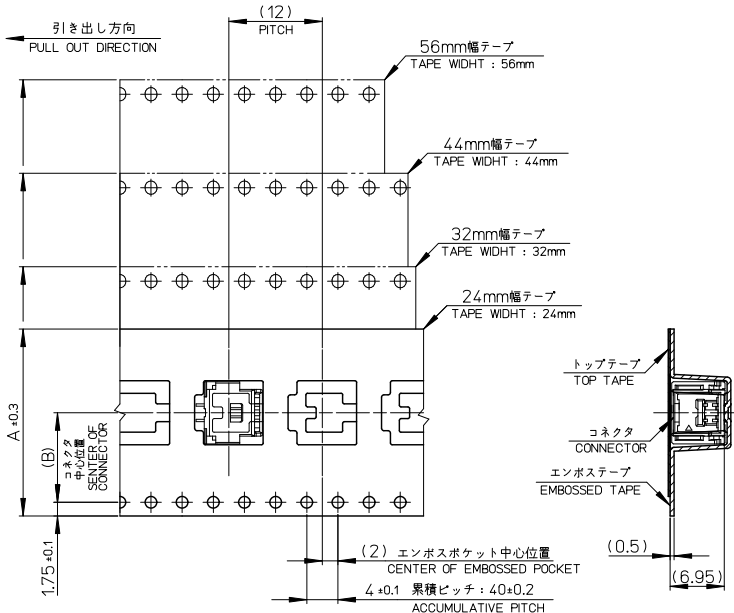
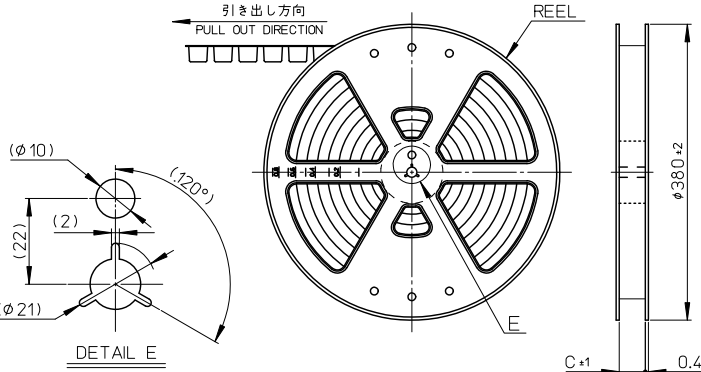
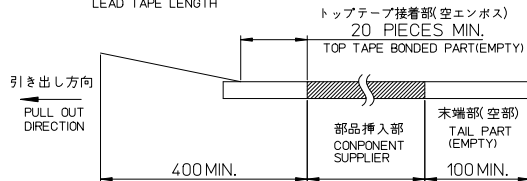


10 9 8 7 6 5 4 3 2 1



NOTES

- 製品詳細寸法については、SD-502494-002を参照下さい。
PLEASE REFER TO SD-502494-002 FOR THE DETAILED DIMENSION OF THE CONNECTOR.
- 梱包数量 : 950 個
NUMBER OF CONNECTORS : 950 PIECES/REEL.
- リードテープ長さ
LEAD TAPE LENGTH

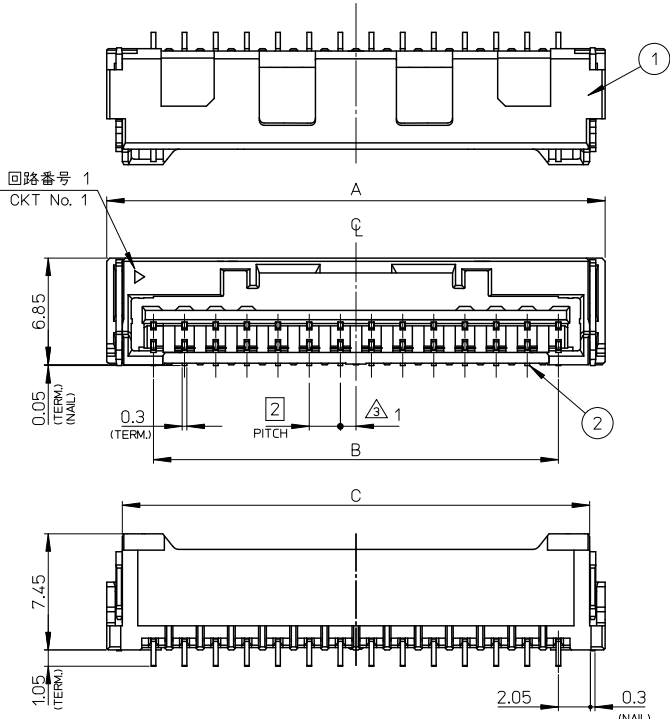


- 材料
MATERIAL
キャリアテープ : ポリスチレン
CARRIER TAPE : POLYSTYRENE
トップテープ : ポリエステル、ポリエチレン、ポリエチレンテレフタレート
TOP TAPE : POLYESTER, POLYETHYLENE, POLYETHYLENE TEREPHTHALATE
リール : ポリスチレン <リサイクル材を含む>
REEL : POLYSTYRENE <RECYCLE MATERIAL CONTAINED>
- ELV及びRoHS適合品
ELV AND RoHS COMPLIANT

57.5	26.2	56	502494-1570	15
57.5	26.2	56	502494-1470	14
45.5	20.2	44	502494-1370	13
45.5	20.2	44	502494-1270	12
45.5	20.2	44	502494-1070	10
45.5	20.2	44	502494-0870	8
33.5	14.2	32	502494-0670	6
25.5	11.5	24	502494-0470	4

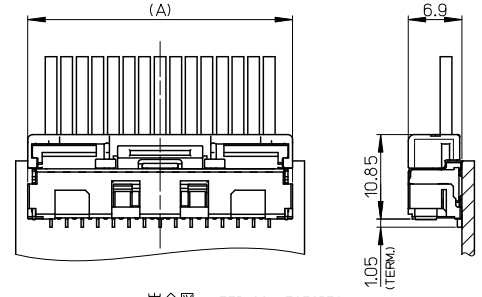
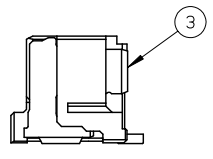
REVISED EC NO: J2011-0559 DRAWN: HIKOBAYASHI CHKD: SAKIYAMA APPR: NIKITA G	DESCRIPTION 2010/08/30 2010/12/27 2010/12/27	GENERAL TOLERANCES (UNLESS SPECIFIED)		DIMENSION STYLE MM ONLY		SCALE ---	DESIGN UNITS METRIC	THIRD ANGLE PROJECTION	
		10 UNDER	±0.2	DRAWN BY NITO	DATE 2007/01/11	TITLE EMBOSSED TAPE PACKAGE FOR 502494			
		10 OVER 30 UNDER	±0.25	CHECKED BY KASAKAWA	DATE 2007/01/11	MATERIAL NO. SEE TABLE			
		30 OVER	±0.3	APPROVED BY YOITO	DATE 2007/01/11				
		ANGULAR ±3°		DRAFT WHERE APPLICABLE MUST REMAIN WITHIN DIMENSIONS		MATERIAL NO. SEE TABLE		DOCUMENT NO. SD-502494-001	
SIZE A3 THIS DRAWING CONTAINS INFORMATION THAT IS PROPRIETARY TO MOLEX INCORPORATED AND SHOULD NOT BE USED WITHOUT WRITTEN PERMISSION									

10 9 8 7 6 5 4 3 2 1



NOTES

1. 嵌合相手：502438-**00
MATE WITH：502438-**00
2. 端子テール部及びネールの平坦度：0.1MAX.
TAIL AND NAIL COPLANARITY TO BE 0.1 MAX.
極数/2=偶数に適用。
APPLY FOR CKT. SIZE / 2 = EVEN.
4. 端子テール部及びネールに錆めっきを使用しているため、
外観に摺動痕が付く場合がございます。
THE WOUND OF FRICTION MIGHT ADHERE TO EXTERNALS
BECAUSE THE TIN PLATING IS USED FOR THE TAIL AND NAIL.
5. 本製品のプラスチック部に黒点等が確認される場合や
色合いが異なる場合がありますが、製品性能に影響はありません。
THERE IS NO INFLUENCE IN THE PRODUCT PERFORMANCE THOUGH
THE BLACK SPOT ETC. MIGHT BE CONFIRMED TO THE PLASTIC PART
OF THIS PRODUCT AND THE SHADE MIGHT BE DIFFERENT.
6. ELV及びRoHS適合品
ELV AND RoHS COMPLIANT



嵌合図 MATED CONNECTORES (SCALE: 1/2-1)

9.2	32	28	34	502494-1570	15
5.2	30	26	32	502494-1470	14
5.2	28	24	30	502494-1370	13
5.2	26	22	28	502494-1270	12
5.2	22	18	24	502494-1070	10
5.2	18	14	20	502494-0870	8
4	14	10	16	502494-0670	6
7.6	10	6	12	502494-0470	4

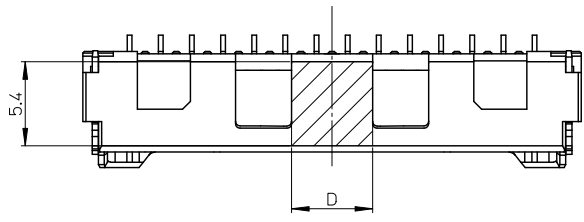
番号 NO.	部品 PART	材質 MATERIAL
①	ハウジング HOUSING	耐熱性樹脂 UL94V-0 色：ナチュラル HEATPROOF RESIN UL94V-0 COLOR NATURAL
②	ターミナル TERMINAL	銅合金 COPPER ALLOY 錆めっき：1.0 micro-meter MIN. TIN (TAIL AREA) ニッケルめっき(下地)：1.0 micro-meter MIN. NICKEL (UNDER PLATING)
③	ネール NAIL	銅合金 COPPER ALLOY 錆めっき：1.0 micro-meter MIN. TIN ニッケルめっき(下地)：1.0 micro-meter MIN. NICKEL (UNDER PLATING)

REVISED EC NO: J2011-0559 T: DRW: HKOBAYASHI 2010/11/05 CHKD: SAKIYAMA 2010/12/27 APPR: NIKITA 2010/12/27 REV	GENERAL TOLERANCES (UNLESS SPECIFIED)		DIMENSION STYLE MM ONLY		SCALE 4:1	DESIGN UNITS METRIC	THIRD ANGLE PROJECTION
	10 UNDER	±0.2	DRAWN BY NITO	DATE 2007/01/11	TITLE 2.0 W/B CONN. SINGLE R/A REC. ASSY 2-15CKT -LEAD FREE-		
	10 OVER 30 UNDER	±0.25	CHECKED BY KASAKAWA	DATE 2007/01/11	MOLEX INCORPORATED		
	30 OVER	±0.3	APPROVED BY YOI TO	DATE 2007/01/11	MATERIAL NO. SEE TABLE	DOCUMENT NO. SD-502494-002	SHEET NO. 1 OF 2
ANGULAR ±1°		DRAFT WHERE APPLICABLE MUST REMAIN WITHIN DIMENSIONS		THIS DRAWING CONTAINS INFORMATION THAT IS PROPRIETARY TO MOLEX INCORPORATED AND SHOULD NOT BE USED WITHOUT WRITTEN PERMISSION			

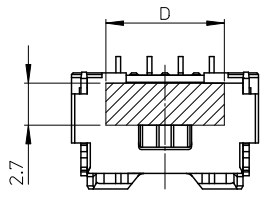
tb_frame_A3_J_ME_S
Rev. E 2006/04/15

EN-02JA(021)

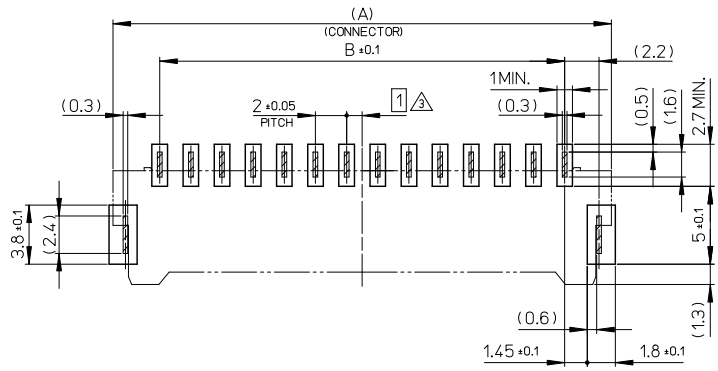
10 9 8 7 6 5 4 3 2 1



吸着エリア 6~15極
VACUME AREA 6~15CKT



吸着エリア 4極
VACUME AREA 4CKT



基板パターンレイアウト(参考)
RECOMMENDED P.C.B. PATTERN LAYOUT (REF.)

REVISED EC NO: J2011-0559 TIDRWN:HKOBAYASHI 2010/11/05 CHKD:SAKIYAMA 2010/12/27 APPR:NIKIITA 2010/12/27	GENERAL TOLERANCES (UNLESS SPECIFIED)		DIMENSION STYLE MM ONLY		SCALE 4:1	DESIGN UNITS METRIC	THIRD ANGLE PROJECTION
	10 UNDER	±0.2	DRAWN BY NITO	DATE 2007/01/11	TITLE 2.0 W/B CONN. SINGLE R/A REC. ASSY 2-15CKT -LEAD FREE-		
	10 OVER 30 UNDER	±0.25	CHECKED BY KASAKAWA	DATE 2007/01/11	MOLEX INCORPORATED		
	30 OVER	±0.3	APPROVED BY YOIITO	DATE 2007/01/11	MATERIAL NO. SEE TABLE	DOCUMENT NO. SD-502494-002	SHEET NO. 2 OF 2
	ANGULAR ±1 °	DRAFT WHERE APPLICABLE MUST REMAIN WITHIN DIMENSIONS		THIS DRAWING CONTAINS INFORMATION THAT IS PROPRIETARY TO MOLEX INCORPORATED AND SHOULD NOT BE USED WITHOUT WRITTEN PERMISSION			