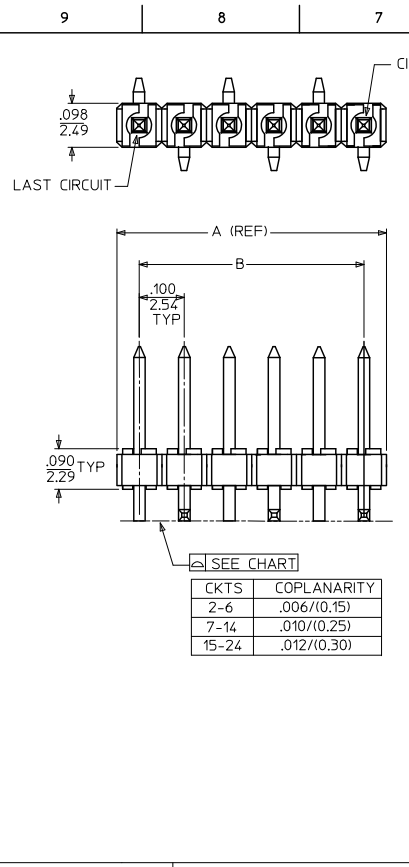
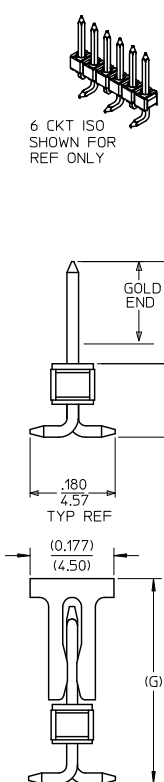


| NO. OF CKTS | A | B |
|-------------|-------|-------|
| ** | .200 | |
| 2 | 5.08 | |
| 3 | .300 | .200 |
| | 7.62 | 5.08 |
| 4 | .400 | .300 |
| | 10.16 | 7.62 |
| 5 | .500 | .400 |
| | 12.70 | 10.16 |
| 6 | .600 | .500 |
| | 15.24 | 12.70 |
| 7 | .700 | .600 |
| | 17.78 | 15.24 |
| 8 | .800 | .700 |
| | 20.32 | 17.78 |
| 9 | .900 | .800 |
| | 22.86 | 20.32 |
| 10 | 1.000 | .900 |
| | 25.40 | 22.86 |
| 11 | 1.100 | 1.000 |
| | 27.94 | 25.40 |
| 12 | 1.200 | 1.100 |
| | 30.48 | 27.94 |
| 13 | 1.300 | 1.200 |
| | 33.02 | 30.48 |
| 14 | 1.400 | 1.300 |
| | 35.56 | 33.02 |
| 15 | 1.500 | 1.400 |
| | 38.10 | 35.56 |
| 16 | 1.600 | 1.500 |
| | 40.64 | 38.10 |
| 17 | 1.700 | 1.600 |
| | 43.18 | 40.64 |
| 18 | 1.800 | 1.700 |
| | 45.72 | 43.18 |
| 19 | 1.900 | 1.800 |
| | 48.26 | 45.72 |
| 20 | 2.000 | 1.900 |
| | 50.80 | 48.26 |
| 21 | 2.100 | 2.000 |
| | 53.34 | 50.80 |
| 22 | 2.200 | 2.100 |
| | 55.88 | 53.34 |
| 23 | 2.300 | 2.200 |
| | 58.42 | 55.88 |
| 24 | 2.400 | 2.300 |
| | 60.96 | 58.42 |

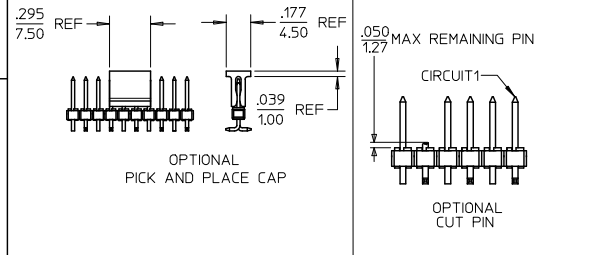
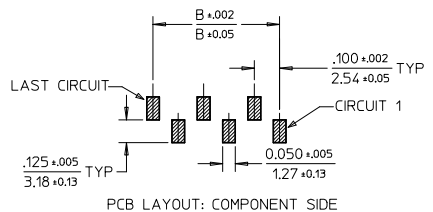


| CKTS | COPLANARITY |
|-------|-------------|
| 2-6 | .006/(0.15) |
| 7-14 | .010/(0.25) |
| 15-24 | .012/(0.30) |



NOTES:

- MATERIAL: HOUSING: NYLON 46, GLASS FILLED, UL94V-0, COLOR: BLACK
PIN: .025/0.64 SQ PIN, PHOSPHOR BRONZE
- FINISH: A - *(154) OVERALL TIN: THICKNESS = .000100/0.00254 MIN
B - (208) SELECTIVE GOLD IN CONTACT AREA: THICKNESS = .000030/0.00076 MIN
C - (228) SELECTIVE GOLD IN CONTACT AREA: THICKNESS = .000030/0.00076 MIN
* SELECTIVE TIN IN PC TAIL AREA: THICKNESS = .000100/0.00254 MIN
OVERALL NICKEL UNDERPLATE: .000050/0.00127 MIN
* THE PRIMARY SHIPPING CARTON WILL BE LABELED, COMPLIANT TO RoHS DIRECTIVE 2002/95/EC AND ELV ANNEX II OF DIRECTIVE 2000/53/EC, AND CARTONS WITHOUT THIS LABEL MAY CONTAIN PRODUCT WITH TIN LEAD.
- PRODUCT SPEC: PS-87920-019
- PACKAGING INFORMATION: TUBE PACK : PK-89990-514
TAPE & REEL : PK-68300-001
- PARTS ARE NOT STACKABLE ON .100/2.54 CENTERS.
- TWO CKT PARTS WILL REQUIRE SUPPORT DURING THE SOLDER PROCESS. PLEASE CONTACT SALES/ FACTORY FOR TOOLING ACTIVATION OF TAPE & REEL PACKAGING.



| ADD T&R P/N | EC NO. | DRWNSKANG | CHKD:ATSEE | APPR:MLONG | DESCRIPTION | QUALITY SYMBOLS | | GENERAL TOLERANCES (UNLESS SPECIFIED) | | DIMENSION STYLE | | SCALE | DESIGN UNITS | THIRD ANGLE PROJECTION |
|-------------|-------------|------------|------------|------------|-------------|-----------------|------|--|-----------|-----------------|-------|-------------------------|--------------|------------------------|
| | | | | | | mm | INCH | mm | INCH | IN/MM | NTS | INCH | INCH | |
| 68301-0400 | S22009-0634 | 2009/02/01 | 2009/02/06 | 2009/02/14 | | ▽=0 | ▽=0 | 4 PLACES ± --- ± --- | SAMIAC | 2000/10/28 | TITLE | CUSTOM HEADER | | |
| | | | | | | | | 3 PLACES ± --- ± .005 | SAMIAC | 2000/10/28 | | .100/(2.54) CENTERLINE | | |
| | | | | | | | | 2 PLACES ± 0.13 ± .010 | SAMIAC | 2000/10/28 | | VERTICAL/SMT SINGLE ROW | | |
| | | | | | | | | 1 PLACE ± 0.25 ± --- | EDGLEY | 2000/10/28 | | MOLEX INCORPORATED | | |
| | | | | | | | | ANGULAR ±1/2° | | | | MOLEX INCORPORATED | | |
| | | | | | | | | DRAFT WHERE APPLICABLE MUST REMAIN WITHIN DIMENSIONS | | | | MOLEX INCORPORATED | | |
| | | | | | | | | | SEE TABLE | | | DOCUMENT NO. | SD-68301-001 | SHEET NO. |
| | | | | | | | | | | | | | | 1 OF 5 |

tb_frame_A3_P_AM_T
Rev. E 2006/04/15

| | 10 | 9 | 8 | 7 | 6 | 5 | 4 | 3 | 2 | 1 |
|---|-------------|-------------------|---------|---------------|---------------|----------|------------|------------|------------------|-----------------|
| | MATERIAL NO | OPTIONAL SUB ASSY | PLT REF | DIM M | DIM G | CKT SIZE | VOID CKT # | KINKED PIN | PICK & PLACE CAP | CUT PIN CKT NO. |
| F | 68301-1007 | 42375-0010 | 154 | .240 6.10 | .433 10.99 | 10 | NONE | NONE | YES | - |
| | 68301-1109 | 42375-0115 | 154 | .320 8.13 | - | 10 | NONE | NONE | - | - |
| | 68301-1159 | △ 42375-0116 | 154 | .320 8.13 | .513 13.02 | 11 | NONE | NONE | YES | - |
| | 68301-1063 | - | 154 | .240 6.10 | - | 12 | NONE | NONE | - | - |
| | 68301-1111 | 42375-0117 | 154 | .320 8.13 | - | 12 | NONE | NONE | - | - |
| | 68301-1157 | NONE | 208 | .605 15.37 | - | 12 | NONE | NONE | - | - |
| E | 68301-1065 | 42375-0014 | 154 | .240 6.10 | - | 14 | NONE | NONE | - | - |
| | 68301-1129 | 42375-0154 | 208 | .320 8.13 | - | 14 | NONE | NONE | - | - |
| | 68301-1113 | 42375-0121 | 154 | .320 8.13 | - | 14 | NONE | NONE | - | - |
| | 68301-1066 | 42375-0015 | 154 | .240 6.10 | - | 15 | NONE | NONE | - | - |
| | 68301-1067 | 42375-0016 | 154 | .240 6.10 | - | 16 | NONE | NONE | - | - |
| | 68301-1115 | 42375-0121 | 154 | .320 8.13 | - | 16 | NONE | NONE | - | - |
| D | 68301-1069 | 42375-0018 | 154 | .240 6.10 | - | 18 | NONE | NONE | - | - |
| | 68301-1117 | 42375-0123 | 154 | .320 8.13 | - | 18 | NONE | NONE | - | - |
| | 68301-1119 | 42375-0125 | 154 | .320 8.13 | - | 20 | NONE | NONE | - | - |
| | 68301-1071 | 42375-0020 | 154 | .240 6.10 | - | 20 | NONE | NONE | - | - |
| | 68301-1072 | 42375-0021 | 154 | .240 6.10 | - | 21 | NONE | NONE | - | - |
| C | 68301-1123 | 42375-0129 | 154 | .320 8.13 | - | 24 | NONE | NONE | - | - |

| | | | | | | | | |
|--|-----------------|---------------------------------------|----|------------------------|------------------------|---|-------------------------|------------------------|
| ADD T&R P/N 68301-0400 EC NO: S2009-0634 DRAWNSKANG 2009/02/04 CHYKATSEE 2009/02/06 APPR:MLONG 2009/02/14 M6 REV | QUALITY SYMBOLS | GENERAL TOLERANCES (UNLESS SPECIFIED) | | DIMENSION STYLE IN/MM | | SCALE NTS | DESIGN UNITS INCH | THIRD ANGLE PROJECTION |
| | ▽=0 | 4 PLACES ± --- ± --- | mm | INCH | DRAWN BY SAMIAC | DATE 2000/10/28 | TITLE CUSTOM HEADER | |
| | ▽=0 | 3 PLACES ± --- ± .005 | | | CHECKED BY SAMIEC | DATE 2000/10/28 | .100/(2.54) CENTERLINE | |
| | | 2 PLACES ± 0.13 ± .010 | | | APPROVED BY EDGLEY | DATE 2000/10/28 | VERTICAL/SMT SINGLE ROW | |
| | | 1 PLACE ± 0.25 ± --- | | | MATERIAL NO. SEE TABLE | | MOLEX INCORPORATED | |
| DRAFT WHERE APPLICABLE MUST REMAIN WITHIN DIMENSIONS | | | | MATERIAL NO. SEE TABLE | | DOCUMENT NO. SD-68301-001 | SHEET NO. 2 OF 5 | |
| | | | | SIZE A3 | | THIS DRAWING CONTAINS INFORMATION THAT IS PROPRIETARY TO MOLEX INCORPORATED AND SHOULD NOT BE USED WITHOUT WRITTEN PERMISSION | | |

tb_frame_A3_P_AM.T
Rev. E 2006/04/15

| | 10 | 9 | 8 | 7 | 6 | 5 | 4 | 3 | 2 | 1 |
|---|--------------|-------------------|---------|--------------|---------------|----------|------------|------------|------------------|-----------------|
| | MATERIAL NO. | OPTIONAL SUB ASSY | PLT REF | DIM M | DIM G | CKT SIZE | VOID CKT # | KINKED PIN | PICK & PLACE CAP | CUT PIN CKT NO. |
| F | 68301-1054 | 42375-0002 | 154 | .240 6.10 | - | 2 | NONE | NONE | - | - |
| | 68301-1055 | 42375-0037 | 208 | .240 6.10 | - | 2 | NONE | NONE | - | - |
| | 68301-1056 | 42375-0072 | 228 | .240 6.10 | - | 2 | NONE | NONE | - | - |
| | 68301-1051 | 42375-0107 | 154 | .320 8.13 | - | 2 | NONE | NONE | - | - |
| | 68301-1009 | 42375-0038 | 208 | .240 6.10 | - | 3 | NONE | NONE | - | - |
| | 68301-1014 | 42375-0003 | 154 | .240 6.10 | - | 3 | NONE | NONE | - | - |
| E | 68301-1020 | 42375-0073 | 228 | .240 6.10 | - | 3 | NONE | NONE | - | - |
| | 68301-1031 | 42375-0108 | 154 | .320 8.13 | - | 3 | NONE | NONE | - | - |
| | 68301-1037 | 42375-0143 | 208 | .320 8.13 | - | 3 | NONE | NONE | - | - |
| | 68301-1010 | 42375-0039 | 208 | .240 6.10 | - | 4 | NONE | NONE | - | - |
| | 68301-1015 | 42375-0004 | 154 | .240 6.10 | - | 4 | NONE | NONE | - | - |
| | 68301-1021 | 42375-0074 | 228 | .240 6.10 | - | 4 | NONE | NONE | - | - |
| D | 68301-1032 | 42375-0109 | 154 | .320 8.13 | - | 4 | NONE | NONE | - | - |
| | 68301-0400 | - | 228 | .320 8.13 | .513 13.02 | 4 | NONE | NONE | YES | - |
| | 68301-1038 | 42375-0144 | 208 | .320 8.13 | - | 4 | NONE | NONE | - | - |
| | 68301-1006 | 42375-0040 | 208 | .240 6.10 | - | 5 | NONE | NONE | - | - |
| | 68301-1016 | 42375-0005 | 154 | .240 6.10 | - | 5 | NONE | NONE | - | - |
| C | 68301-1033 | 42375-0110 | 154 | .320 8.13 | - | 5 | NONE | NONE | - | - |
| | 68301-1039 | 42375-0145 | 208 | .320 8.13 | - | 5 | NONE | NONE | - | - |

| ADD T&R P/N 68301-0400 EC NO: S22009-0634 DRWNSKANG 2009/02/04 CHYKATSEE 2009/02/06 APPR:MLONG 2009/02/14 M6 REV | QUALITY SYMBOLS | GENERAL TOLERANCES (UNLESS SPECIFIED) | DIMENSION STYLE | SCALE | DESIGN UNITS | THIRD ANGLE PROJECTION | | | | | | | | | | | | | | | | | | | | |
|--|--|--|-----------------|--------------|------------------------------------|------------------------|------------|--------|---------|------------|-------------|--------|--------|------------|----------|--|--------|--------|---------|--------|--------|--------|-------|-----|------|--|
| | $\nabla=0$ $\nabla=0$ | <table border="1"> <tr><th colspan="2">mm</th><th colspan="2">INCH</th></tr> <tr><td>4 PLACES</td><td>± .005</td><td>± .005</td><td>± .005</td></tr> <tr><td>3 PLACES</td><td>± .010</td><td>± .010</td><td>± .010</td></tr> <tr><td>2 PLACES</td><td>± 0.13</td><td>± .010</td><td>± .010</td></tr> <tr><td>1 PLACE</td><td>± 0.25</td><td>± .010</td><td>± .010</td></tr> </table> | mm | | INCH | | 4 PLACES | ± .005 | ± .005 | ± .005 | 3 PLACES | ± .010 | ± .010 | ± .010 | 2 PLACES | ± 0.13 | ± .010 | ± .010 | 1 PLACE | ± 0.25 | ± .010 | ± .010 | IN/MM | NTS | INCH | |
| | mm | | INCH | | | | | | | | | | | | | | | | | | | | | | | |
| | 4 PLACES | ± .005 | ± .005 | ± .005 | | | | | | | | | | | | | | | | | | | | | | |
| | 3 PLACES | ± .010 | ± .010 | ± .010 | | | | | | | | | | | | | | | | | | | | | | |
| 2 PLACES | ± 0.13 | ± .010 | ± .010 | | | | | | | | | | | | | | | | | | | | | | | |
| 1 PLACE | ± 0.25 | ± .010 | ± .010 | | | | | | | | | | | | | | | | | | | | | | | |
| DESCRIPTION | DRAFT WHERE APPLICABLE MUST REMAIN WITHIN DIMENSIONS | <table border="1"> <tr><th>DRAWN BY</th><th>DATE</th></tr> <tr><td>SAMIAC</td><td>2000/10/28</td></tr> <tr><th>CHECKED BY</th><th>DATE</th></tr> <tr><td>SAMI EC</td><td>2000/10/28</td></tr> <tr><th>APPROVED BY</th><th>DATE</th></tr> <tr><td>EDGLEY</td><td>2000/10/28</td></tr> </table> | DRAWN BY | DATE | SAMIAC | 2000/10/28 | CHECKED BY | DATE | SAMI EC | 2000/10/28 | APPROVED BY | DATE | EDGLEY | 2000/10/28 | TITLE | CUSTOM HEADER .100/(2.54) CENTERLINE VERTICAL/SMT SINGLE ROW | | | | | | | | | | |
| DRAWN BY | DATE | | | | | | | | | | | | | | | | | | | | | | | | | |
| SAMIAC | 2000/10/28 | | | | | | | | | | | | | | | | | | | | | | | | | |
| CHECKED BY | DATE | | | | | | | | | | | | | | | | | | | | | | | | | |
| SAMI EC | 2000/10/28 | | | | | | | | | | | | | | | | | | | | | | | | | |
| APPROVED BY | DATE | | | | | | | | | | | | | | | | | | | | | | | | | |
| EDGLEY | 2000/10/28 | | | | | | | | | | | | | | | | | | | | | | | | | |
| | | SEE TABLE | MATERIAL NO. | DOCUMENT NO. | MOLEX INCORPORATED SD-68301-001 | | | | | | | | | | | | | | | | | | | | | |
| | | | SIZE | SHEET NO. | | | | | | | | | | | | | | | | | | | | | | |
| | | | A3 | 3 OF 5 | | | | | | | | | | | | | | | | | | | | | | |

tb_frame_A3_P_AM.T
Rev. E 2006/04/15

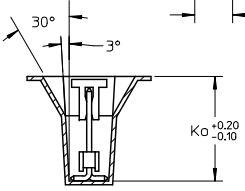
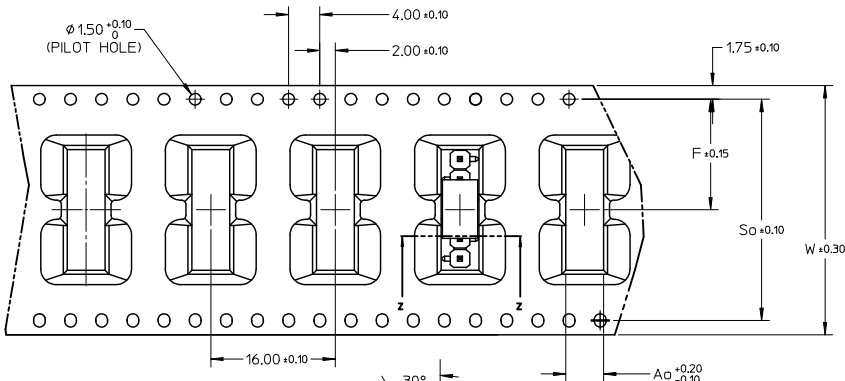
| | 10 | 9 | 8 | 7 | 6 | 5 | 4 | 3 | 2 | 1 | |
|---|------------------|--------------------------|-------------------|---------|---------------|---------------|----------|------------|------------|------------------|-----------------|
| | ASSEMBLY IN TUBE | ASSEMBLY IN T&R WITH CAP | OPTIONAL SUB ASSY | PLT REF | DIM M | DIM G | CKT SIZE | VOID CKT # | KINKED PIN | PICK & PLACE CAP | CUT PIN CKT NO. |
| F | 68301-1011 | - | 42375-0041 | 208 | .240 6.10 | - | 6 | NONE | NONE | - | - |
| | 68301-1017 | - | 42375-0006 | 154 | .240 6.10 | - | 6 | NONE | NONE | - | - |
| | 68301-1034 | 68301-1160 | 42375-0111 | 154 | .320 8.13 | .513 13.02 | 6 | NONE | NONE | YES | - |
| | 68301-1040 | - | 42375-0146 | 208 | .320 8.13 | - | 6 | NONE | NONE | - | - |
| | 68301-1023 | - | 42375-0076 | 228 | .240 6.10 | - | 6 | NONE | NONE | - | - |
| | 68301-1012 | - | 42375-0042 | 208 | .240 6.10 | - | 7 | NONE | NONE | - | - |
| E | 68301-1018 | - | 42375-0007 | 154 | .240 6.10 | - | 7 | NONE | NONE | - | - |
| | 68301-1035 | - | 42375-0112 | 154 | .320 8.13 | - | 7 | NONE | NONE | - | - |
| | 68301-1041 | - | 42375-0147 | 208 | .320 8.13 | - | 7 | NONE | NONE | - | - |
| | 68301-1013 | - | 42375-0043 | 208 | .240 6.10 | - | 8 | NONE | NONE | - | - |
| | 68301-1029 | - | - | 228 | .240 6.10 | - | 8 | NONE | NONE | - | - |
| | 68301-1019 | - | 42375-0008 | 154 | .240 6.10 | - | 8 | NONE | NONE | - | - |
| D | 68301-1028 | - | - | 228 | .505 12.83 | - | 8 | NONE | NONE | - | - |
| | 68301-1036 | - | 42375-0113 | 154 | .320 8.13 | - | 8 | NONE | NONE | - | - |
| | 68301-1042 | - | 42375-0148 | 208 | .320 8.13 | - | 8 | NONE | NONE | - | - |
| | 68301-0800 | - | - | 208 | .605 15.37 | - | 8 | NONE | NONE | - | - |
| | 68301-1076 | - | 42375-0044 | 208 | .240 6.10 | - | 9 | NONE | NONE | - | - |
| | 68301-1060 | - | - | 154 | .240 6.10 | - | 9 | NONE | NONE | - | - |

| | | | | | | |
|--|--|---------------------------------------|---|------------------------|--------------|------------------------|
| ADD T&R P/N 68301-0400 EC NO: S22009-0634 DRWNSKANG 2009/04/04 CHYKATSEE 2009/04/06 APPR:MLONG 2009/04/14 M6 REV | QUALITY SYMBOLS | GENERAL TOLERANCES (UNLESS SPECIFIED) | DIMENSION STYLE | SCALE | DESIGN UNITS | THIRD ANGLE PROJECTION |
| | ▽=0 | mm INCH | IN/MM | NTS | INCH | |
| | ▽=0 | 4 PLACES ± --- ± --- | DRAWN BY DATE | TITLE | | |
| | | 3 PLACES ± --- ± .005 | SAMIAC 2000/10/28 | CUSTOM HEADER | | |
| | | 2 PLACES ± 0.13 ± .010 | CHECKED BY DATE | .100/(2.54) CENTERLINE | | |
| | 1 PLACE ± 0.25 ± --- | SAMIEC 2000/10/28 | VERTICAL/SMT SINGLE ROW | | | |
| | ANGULAR ±1/2° | APPROVED BY DATE | MOLEX INCORPORATED | | | |
| | | EDGLEY 2000/10/28 | | | | |
| | DRAFT WHERE APPLICABLE MUST REMAIN WITHIN DIMENSIONS | MATERIAL NO. | SEE TABLE | | DOCUMENT NO. | SHEET NO. |
| | | | | | SD-68301-001 | 4 OF 5 |
| | | | THIS DRAWING CONTAINS INFORMATION THAT IS PROPRIETARY TO MOLEX INCORPORATED AND SHOULD NOT BE USED WITHOUT WRITTEN PERMISSION | | | |

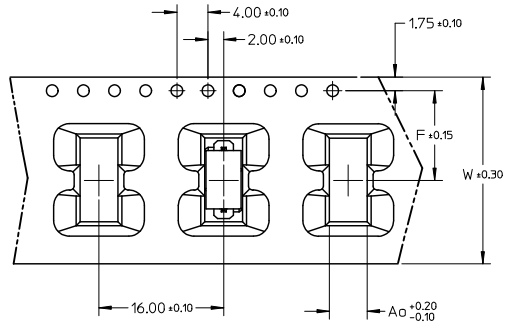
| | | | | | | | | | |
|---|---|---|---|---|---|---|---|---|---|
| tb_frame_A3_P_AM_T Rev. E 2006/04/15 | 9 | 8 | 7 | 6 | 5 | 4 | 3 | 2 | 1 |
|---|---|---|---|---|---|---|---|---|---|

| CKT SIZE | QTY/ REEL | Ao | Ko | F | So | W | TYPE |
|----------|-----------|------|-------|-------|-------|-------|------|
| 4 | TBD | 4.85 | 13.40 | 11.50 | - | 24.00 | B |
| 6 | 230 | 4.85 | 13.40 | 14.20 | 28.40 | 32.00 | A |
| 10 | 230 | 4.90 | 11.30 | 20.20 | 40.40 | 44.00 | A |

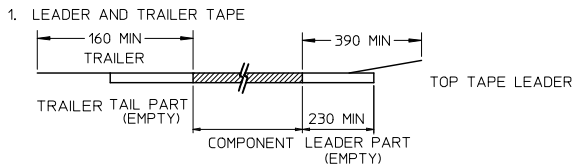
EMBOSSED TYPE A



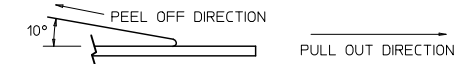
EMBOSSED TYPE B



NOTES:



1. LEADER AND TRAILER TAPE



- 2. PEELING OFF FORCE OF THE TOP TAPE: 60gf MAX. (PEELING DIRECTION AS SHOWN IN FOLLOWING FIGURE)
- 3. THE TAPE IS TREATED FOR ANTI ESD
- 4. PACKAGING STANDARD AS PER EIA-481.
- 5. ABOVE PACKAGING ILLUSTRATION IS FOR 6CKT ONLY.

| ADD T&R P/N 68301-0400 EIC NO: S2009-0634 DRWNSKANG 2009/02/07 CHYKATSEE 2009/02/06 APPR:MLONG 2009/02/11 | QUALITY SYMBOLS | GENERAL TOLERANCES (UNLESS SPECIFIED) | DIMENSION STYLE IN/MM | SCALE NTS | DESIGN UNITS INCH | THIRD ANGLE PROJECTION | | | | | | | | | | | | | | | | | | | | | | | | | | | | | | | | | | |
|---|--------------------------|---|-----------------------|-----------|-------------------|------------------------|-------|-------|----------|-------|--------|----------|--------|--------|---------|--------|-------|---|----------|--|------|--------|--|------------|------------|--|------|---------|--|------------|-------------|--|------|--------|--|------------|-------|--|--|--------------------|
| | $\nabla=0$ $\nabla=0$ | <table border="1"> <tr><th></th><th>mm</th><th>INCH</th></tr> <tr><td>4 PLACES</td><td>± ---</td><td>± ---</td></tr> <tr><td>3 PLACES</td><td>± ---</td><td>± .005</td></tr> <tr><td>2 PLACES</td><td>± 0.13</td><td>± .010</td></tr> <tr><td>1 PLACE</td><td>± 0.25</td><td>± ---</td></tr> </table> | | mm | INCH | 4 PLACES | ± --- | ± --- | 3 PLACES | ± --- | ± .005 | 2 PLACES | ± 0.13 | ± .010 | 1 PLACE | ± 0.25 | ± --- | <table border="1"> <tr><th colspan="2">DRAWN BY</th><th>DATE</th></tr> <tr><td colspan="2">SAMIAC</td><td>2000/10/28</td></tr> <tr><th colspan="2">CHECKED BY</th><th>DATE</th></tr> <tr><td colspan="2">SAMI EC</td><td>2000/10/28</td></tr> <tr><th colspan="2">APPROVED BY</th><th>DATE</th></tr> <tr><td colspan="2">EDGLEY</td><td>2000/10/28</td></tr> </table> | DRAWN BY | | DATE | SAMIAC | | 2000/10/28 | CHECKED BY | | DATE | SAMI EC | | 2000/10/28 | APPROVED BY | | DATE | EDGLEY | | 2000/10/28 | TITLE | CUSTOM HEADER .100/(2.54) CENTERLINE VERTICAL/SMT SINGLE ROW | | MOLEX INCORPORATED |
| | | mm | INCH | | | | | | | | | | | | | | | | | | | | | | | | | | | | | | | | | | | | | |
| | 4 PLACES | ± --- | ± --- | | | | | | | | | | | | | | | | | | | | | | | | | | | | | | | | | | | | | |
| 3 PLACES | ± --- | ± .005 | | | | | | | | | | | | | | | | | | | | | | | | | | | | | | | | | | | | | | |
| 2 PLACES | ± 0.13 | ± .010 | | | | | | | | | | | | | | | | | | | | | | | | | | | | | | | | | | | | | | |
| 1 PLACE | ± 0.25 | ± --- | | | | | | | | | | | | | | | | | | | | | | | | | | | | | | | | | | | | | | |
| DRAWN BY | | DATE | | | | | | | | | | | | | | | | | | | | | | | | | | | | | | | | | | | | | | |
| SAMIAC | | 2000/10/28 | | | | | | | | | | | | | | | | | | | | | | | | | | | | | | | | | | | | | | |
| CHECKED BY | | DATE | | | | | | | | | | | | | | | | | | | | | | | | | | | | | | | | | | | | | | |
| SAMI EC | | 2000/10/28 | | | | | | | | | | | | | | | | | | | | | | | | | | | | | | | | | | | | | | |
| APPROVED BY | | DATE | | | | | | | | | | | | | | | | | | | | | | | | | | | | | | | | | | | | | | |
| EDGLEY | | 2000/10/28 | | | | | | | | | | | | | | | | | | | | | | | | | | | | | | | | | | | | | | |
| DRAFT WHERE APPLICABLE MUST REMAIN WITHIN DIMENSIONS | MATERIAL NO. SEE TABLE | DOCUMENT NO. SD-68301-001 | SHEET NO. 5 OF 5 | | | | | | | | | | | | | | | | | | | | | | | | | | | | | | | | | | | | | |
| THIS DRAWING CONTAINS INFORMATION THAT IS PROPRIETARY TO MOLEX INCORPORATED AND SHOULD NOT BE USED WITHOUT WRITTEN PERMISSION | | | | | | | | | | | | | | | | | | | | | | | | | | | | | | | | | | | | | | | | |