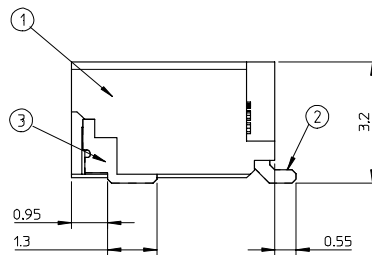
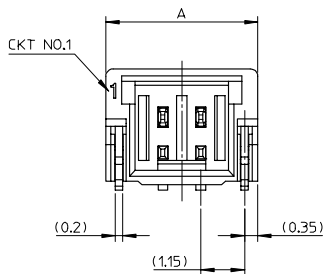


参考パターンレイアウト  
RECOMMENDED PATTERN DIM(REF)  
SCALE:5-1



番号 NO.	部品 PART	材質 MATERIAL
①	ウェハー WAFER	耐熱ナイロン、UL94V-0、色：自然色 HEAT RESISTANCE NYLON, UL94V-0, COLOR:NATURAL
②	ソルダーピン SOLDER PIN	リン青銅 PHOSPHOR BRONZE オズメッキ : 1 MICRO METER MINIMUM. TIN PLATING ニッケル下地メッキ : 1 MICRO METER MINIMUM. NICKEL UNDER PLATING
③	ネイル NAIL	黄銅 BRASS オズメッキ : 1 MICRO METER MINIMUM. TIN PLATING ニッケル下地メッキ : 1 MICRO METER MINIMUM. NICKEL UNDER PLATING

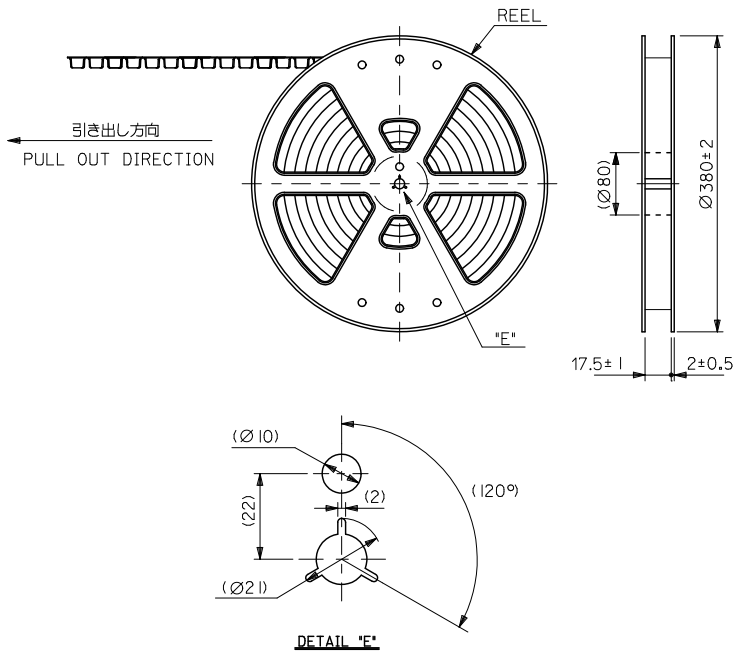
4.0	7.0	501568-0509	5	501568-**09
3.0	6.0	501568-0409	4	
2.0	5.0	501568-0309	3	
1.0	4.0	501568-0209	2	
B	A	MATERIAL NO.	CKT	MODEL NO.

NOTES

- かん合相手 : 501330-\*\*\*\*  
MATE WITH : 501330-\*\*\*\*
- ソルダーピン及びネイルの平坦度は0.1MAX.  
SOLDER PIN AND NAIL COPLANARITY TO BE 0.1MAX.
- ⚠ 極数=偶数に適用  
APPLY FOR CKT SIZE=EVEN
- 6-15極は、SD-501568-002を参照下さい。  
REFER TO SD-501568-002 ABOUT 6-15CKT.

REVISED	DESCRIPTION	GENERAL TOLERANCES (UNLESS SPECIFIED)	DIMENSION STYLE	SCALE	DESIGN UNITS	THIRD ANGLE PROJECTION
EC NO. J2008-0220	2007/07/25	10 UNDER ±0.2	MM ONLY	10:1	METRIC	THIRD ANGLE PROJECTION
DRW:HNABEI	2007/07/27	10 OVER 30 UNDER ±0.25	DRAWN BY DATE	TITLE		
CHK:KATOYODA	2007/07/27	30 OVER ±0.3	CHECKED BY DATE	1.0 WIRE TO BOARD CONN.		
APP:NUMITA	2007/07/27	ANGULAR ±3 °	APPROVED BY DATE	2-5CKT -LEAD FREE-		
REV		DRAFT WHERE APPLICABLE MUST REMAIN WITHIN DIMENSIONS	MATERIAL NO.	MOLEX INCORPORATED		
B			SEE TABLE	DOCUMENT NO.	SD-501568-001	
			SIZE A3	THIS DRAWING CONTAINS INFORMATION THAT IS PROPRIETARY TO MOLEX INCORPORATED AND SHOULD NOT BE USED WITHOUT WRITTEN PERMISSION		
				SHEET NO.	1 OF 1	

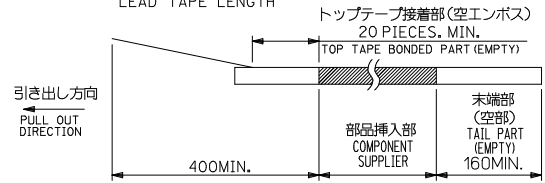
10 9 8 7 6 5 4 3 2 1



**NOTES**

- 製品詳細寸法は製品単体図面を参照して下さい。  
FOR DETAIL OF CONNECTOR DIMENSIONS, PLEASE SEE THE DRAWING OF CONNECTOR ITSELF (NOT PACKAGED).
- 梱包数量: 1700個/リール  
NUMBER OF CONNECTORS: 1700PIECES/REEL

- リードテープ長さ  
LEAD TAPE LENGTH



- 材料

**MATERIAL**  
 キャリアテープ: ポリプロピレン  
 CARRIER TAPE: POLYPROPYLENE  
 トップテープ: PET、PE、REF  
 TOP TAPE  
 リール: ポリスチレン<リサイクル材を含む>  
 REEL: POLYSTYRENE <RECYCLE MATERIAL CONTAINED>

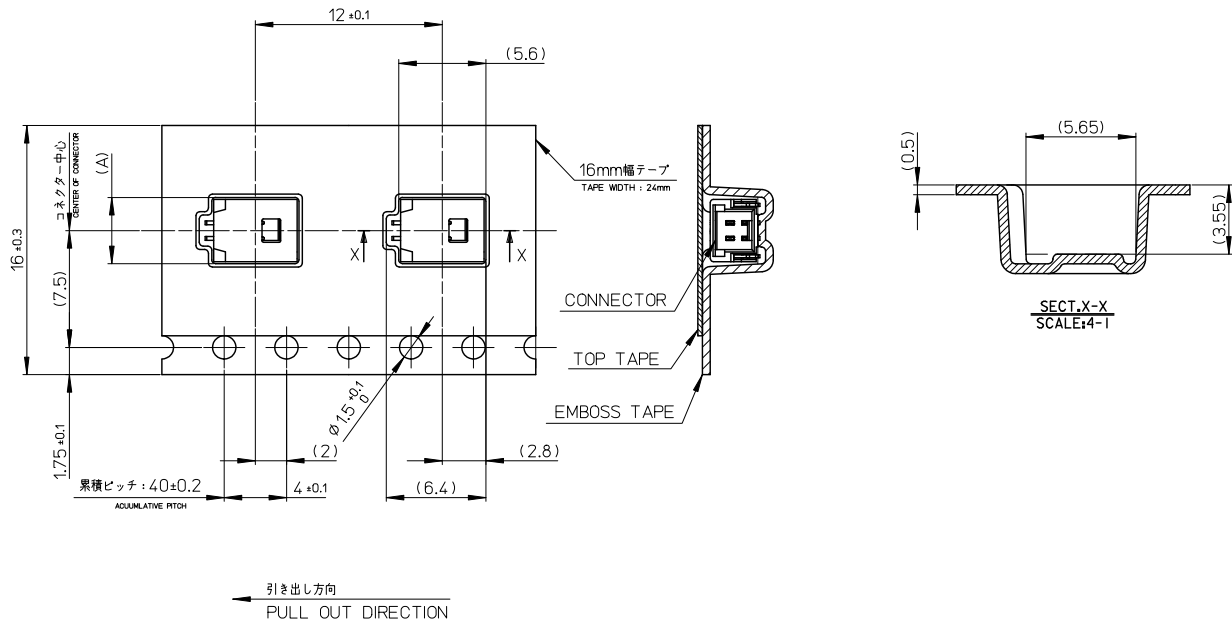
- ELV及びRoHS適合品。

ELV AND RoHS COMPLIANT.

- 本製品は乾燥剤入り、ハイバリア梱包仕様である。

(501568-0607~1507以外)  
 THIS PRODUCT IS HIGH BARRIER PACKAGE WITH DESICCANT.  
 (BESIDES 501568-0607~1507)

REVISED EC NO: J2010-0951 2009/12/16 DRWNNITO CHYKOKASAKANA 2010/01/05 APPRNKIKITA 2010/01/06	GENERAL TOLERANCES (UNLESS SPECIFIED)		DIMENSION STYLE MM ONLY		SCALE ---	DESIGN UNITS METRIC	THIRD ANGLE PROJECTION
	10 UNDER	±0.2	DRAWN BY AMIZUMURA	DATE 2005/1/26	TITLE 1.0 WIRE TO BOARD CONN. WAFER ASS'Y (1-ROW R/A) EMBTP PKG		
	10 OVER 30 UNDER	±0.25	CHECKED BY MYAGI	DATE 2005/1/26	MOLEX INCORPORATED		
	30 OVER	±0.3	APPROVED BY ANODA	DATE 2005/1/26	MATERIAL NO. SEE SHEET 2	DOCUMENT NO. SD-501568-005	SHEET NO. 1 OF 2
ANGULAR ±1°		DRAFT WHERE APPLICABLE MUST REMAIN WITHIN DIMENSIONS		SIZE A3 THIS DRAWING CONTAINS INFORMATION THAT IS PROPRIETARY TO MOLEX INCORPORATED AND SHOULD NOT BE USED WITHOUT WRITTEN PERMISSION			



7.3	501568-0509	501568-0507	5
6.3	501568-0409	501568-0407	4
5.3	501568-0309	501568-0307	3
4.3	501568-0209	501568-0207	2
(A)	CONNECTOR	MATERIAL NO.	CKTS.

REVISED EEC NO: J2010-0951 2009/12/16 DRAWN BY CHYOKIKASAKANA 2010/01/05 APPR: NIKITA 2010/01/06	GENERAL TOLERANCES (UNLESS SPECIFIED)		DIMENSION STYLE MM ONLY		SCALE ---	DESIGN UNITS METRIC	THIRD ANGLE PROJECTION
	10 UNDER	± 0.2	DRAWN BY AMIZUMURA	DATE 2005/1/26	TITLE 1.0 WIRE TO BOARD CONN. WAFER ASS'Y (1-ROW R/A) EMBTP PKG		
	10 OVER 30 UNDER	± 0.25	CHECKED BY MYAGI	DATE 2005/1/26	MOLEX INCORPORATED		
	30 OVER	± 0.3	APPROVED BY ANODA	DATE 2005/1/26	MATERIAL NO. SEE CHART	DOCUMENT NO. SD-501568-005	SHEET NO. 2 OF 2
ANGULAR ± 3 °		DRAFT WHERE APPLICABLE MUST REMAIN WITHIN DIMENSIONS		THIS DRAWING CONTAINS INFORMATION THAT IS PROPRIETARY TO MOLEX INCORPORATED AND SHOULD NOT BE USED WITHOUT WRITTEN PERMISSION			

ib\_frame\_A3\_J\_ME\_S  
Rev. D 2004/04/02

EN-02JA(021)