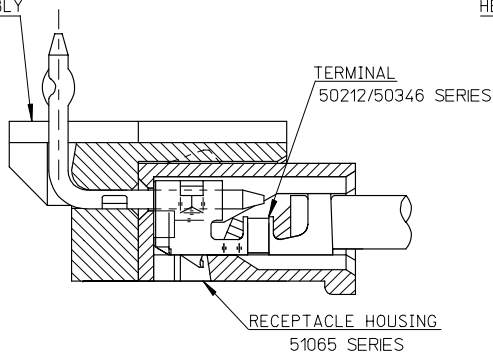


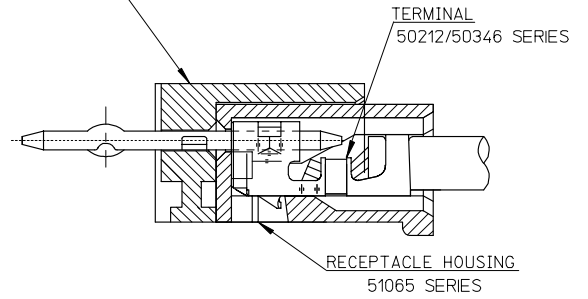
10 9 8 7 6 5 4 3 2 1

HEADER HOUSING ASSEMBLY
53254SERIES

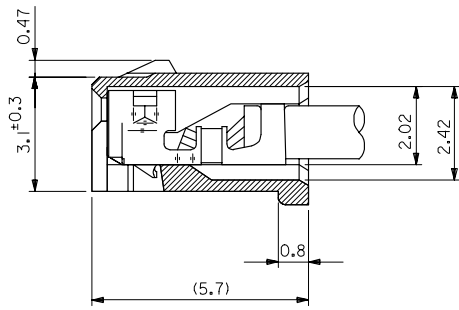


51065シリーズ/53254シリーズ 嵌合状態図 参考
51065 SERIES/53254 SERIES MATED DRAWING (REF.)

HEADER HOUSING ASSEMBLY
53253SERIES



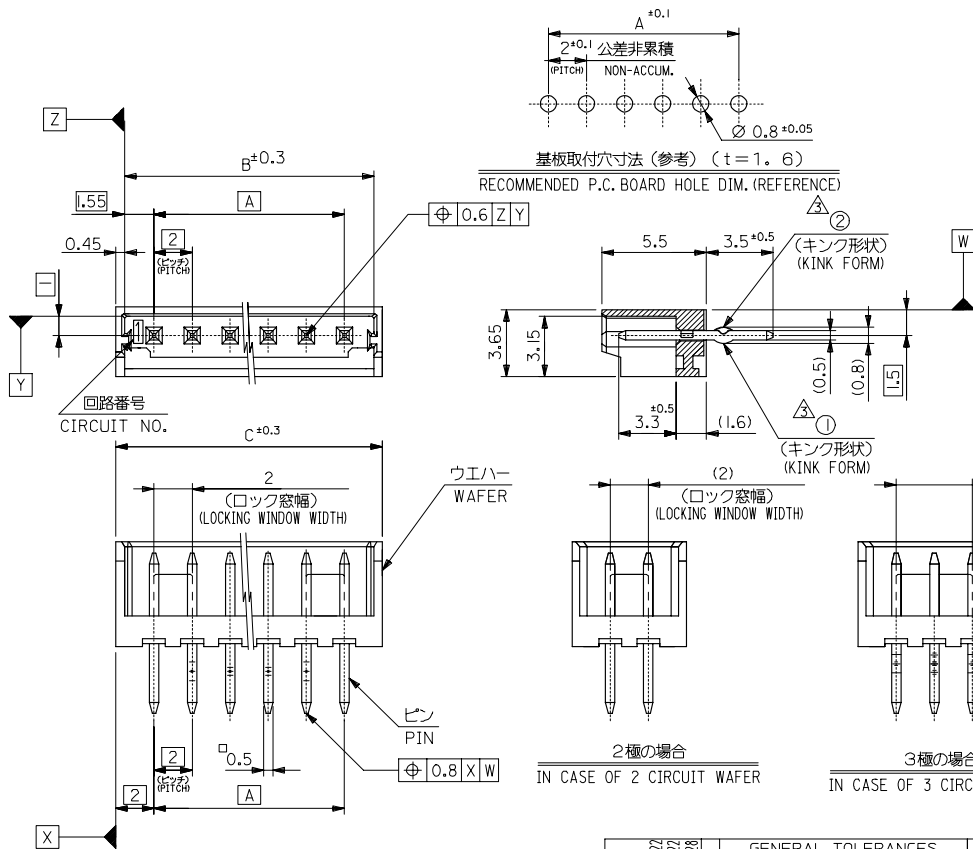
51065シリーズ/53253シリーズ 嵌合状態図 参考
51065 SERIES/53253 SERIES MATED DRAWING (REF.)



ターミナル装着状態図
TERMINAL ASS'Y DWG.

| | | | | | | | |
|---------------------------------------------------------------------------------|---------------------------------------|------------|----------------------------------------------------------------------------------------------------------------------------------|--------------------|-----------------------------------------------------------------------------------------------------------------------------------|------------------------|---------------------------|
| RELEASED EC NO: J2008-2041 DRWN: AOYAGI CHKD: HARUYAMA APPR: NUKITA | GENERAL TOLERANCES (UNLESS SPECIFIED) | | DIMENSION STYLE MM ONLY | | SCALE 10:1 | DESIGN UNITS METRIC | THIRD ANGLE PROJECTION |
| | 10 UNDER | ± 0.2 | DRAWN BY Y. AOYAGI | DATE 2007/11/13 | TITLE NEW 2.0 W/B CONN. 51065/53253OR51065/53254 MOLEX INCORPORATED DOCUMENT NO. SD-51065-006 SHEET NO. 1 OF 1 | | |
| | 10 OVER 30 UNDER | ± 0.25 | CHECKED BY N. UKITA | DATE 2007/11/13 | | | |
| | 30 OVER | ± 0.3 | APPROVED BY N. UKITA | DATE 2007/11/13 | | | |
| | ANGULAR | ± 1 ° | MATERIAL NO. | | SEE TABLE | | |
| DRAFT WHERE APPLICABLE MUST REMAIN WITHIN DIMENSIONS | | SIZE A3 | THIS DRAWING CONTAINS INFORMATION THAT IS PROPRIETARY TO MOLEX INCORPORATED AND SHOULD NOT BE USED WITHOUT WRITTEN PERMISSION | | | | |

10 9 8 7 6 5 4 3 2 1



注記 NOTES

1. 嵌合相手: 51065 シリーズ
MATE WITH: 51065 SERIES
 2. 材質 MATERIAL
ウエハー: 66ナイロン, UL94V-0
WAFER: 66NYLON, UL94V-0
ピン: 黄銅, 錫メッキ
PIN: BRASS, TIN(Sn) PLATING
 - △ キングは下記表の位置及び形状に付加のこと。2極はキング無し。
KINK TO BE APPLIED AS FOLLOWS,
2 CIRCUIT HAS NO KINK.
- | 極数 CKT | 回路番号 CKT NO. | 1 | 2 | 3 | 4 | 5 | N-2 | N-1 | N |
|--------|-----------------|---|---|---|---|---|-----|-----|---|
| 6 極以上 | MORE THAN 6 CKT | — | ① | ② | — | — | ② | ① | — |
| 5 極 | 5 CKT | ① | ② | — | ② | ① | | | |
| 4 極 | 4 CKT | ① | ② | ① | | | | | |
| 3 極 | 3 CKT | ① | ② | ① | | | | | |
4. 本製品は、53253-**10の鉛フリー品です。
THIS PRODUCT IS LEAD FREE OF 53253-**10.
 5. 梱包仕様 PACKAGING
53253-**70 トレー TRAY
53253-**50 ポリ袋 POLYBAG

| | | | | | |
|----|------|----|---------------------------|--------------|----|
| 32 | 31.1 | 28 | 53253-1550 | 53253-1570 | 15 |
| 30 | 29.1 | 26 | -1450 | -1470 | 14 |
| 28 | 27.1 | 24 | -1350 | -1370 | 13 |
| 26 | 25.1 | 22 | -1250 | -1270 | 12 |
| 24 | 23.1 | 20 | -1150 | -1170 | 11 |
| 22 | 21.1 | 18 | -1050 | -1070 | 10 |
| 20 | 19.1 | 16 | -0950 | -0970 | 9 |
| 18 | 17.1 | 14 | -0850 | -0870 | 8 |
| 16 | 15.1 | 12 | -0750 | -0770 | 7 |
| 14 | 13.1 | 10 | -0650 | -0670 | 6 |
| 12 | 11.1 | 8 | -0550 | -0570 | 5 |
| 10 | 9.1 | 6 | -0450 | -0470 | 4 |
| 8 | 7.1 | 4 | -0350 | -0370 | 3 |
| 6 | 5.1 | 2 | 53253-0250 | 53253-0270 | 2 |
| C | B | A | MATERIAL NO. | MATERIAL NO. | 極数 |
| | | | MODEL NO. 53253-**70/**50 | | |

| GENERAL TOLERANCES (UNLESS SPECIFIED) | | DIMENSION STYLE MM ONLY | | SCALE 5:1 | DESIGN UNITS METRIC | THIRD ANGLE PROJECTION |
|------------------------------------------------------|-------|-------------------------|----------------|---------------------------------------------------------------------------------------------------------------------------------------|---------------------|------------------------|
| 10 UNDER | ±0.2 | DRAWN BY T. TSUBOI | DATE '04/01/15 | TITLE NEW 2.0 WIRE TO BOARD CONN. WAFER ASSY (ST.) -LEAD FREE- MOLEX INCORPORATED DOCUMENT NO. SD-53253-001 SHEET NO. 1 OF 1 | | |
| 10 OVER 30 UNDER | ±0.25 | CHECKED BY S. MARUYAMA | DATE '04/01/15 | | | |
| 30 OVER | ±0.3 | APPROVED BY M. SASAO | DATE '04/01/15 | | | |
| ANGULAR | ±3 ° | MATERIAL NO. | SEE CHART | | | |
| DRAFT WHERE APPLICABLE MUST REMAIN WITHIN DIMENSIONS | | SIZE A3 | | THIS DRAWING CONTAINS INFORMATION THAT IS PROPRIETARY TO MOLEX INCORPORATED AND SHOULD NOT BE USED WITHOUT WRITTEN PERMISSION | | |