

10078991-GXX-XXULF

PLATING
0.76 µm GXT (Pd Ni with gold flash)
over 1.27 µm Nickel underplate

TAIL LENGTH

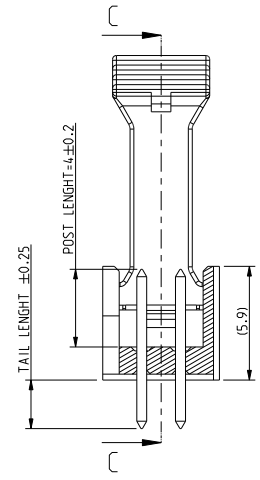
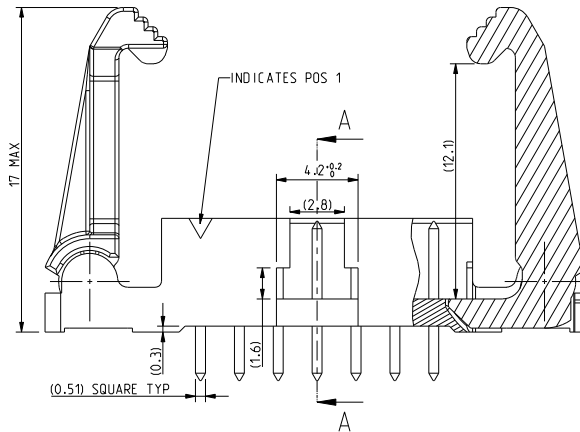
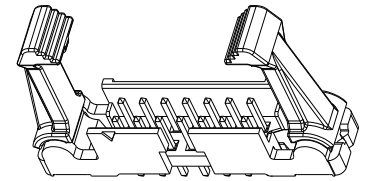
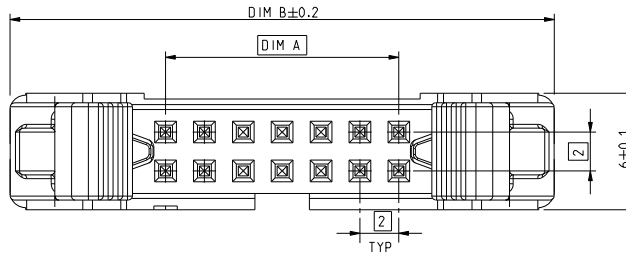
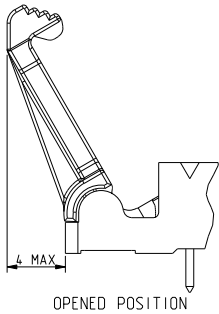
STYLE	DIM B
2	2.5
3	3.1

LATCH TYPE :
1 = STANDARD : For use with STRAIN-RELIEF 10073978
2 = LOW PROFILE : For use without STRAIN-RELIEF

SIZE : TOTAL NB OF POSITIONS
SEE SHEET 2

PACKAGING, SEE NOTE 4

SUFFIX LETTER "LF" INDICATES
THE PRODUCT IS RoHS
COMPATIBLE, SEE NOTE 5.



NOTES :
1- MATERIAL HOUSING : HIGH TEMPERATURE THERMOPLASTIC
UL 94 V0, COLOR CREAM.
- MATERIAL LATCH : HIGH TEMPERATURE THERMOPLASTIC
UL 94 V0, COLOR BLACK.

2- MATERIAL TERMINAL : COPPER ALLOY
3- PIN RETENTION IN EITHER DIRECTION : 7N MIN
4- PACKAGING

U= TUBE WITHOUT PICK UP CAP .
5- ROHS COMPATIBLE PRODUCT SPECIFICATIONS :

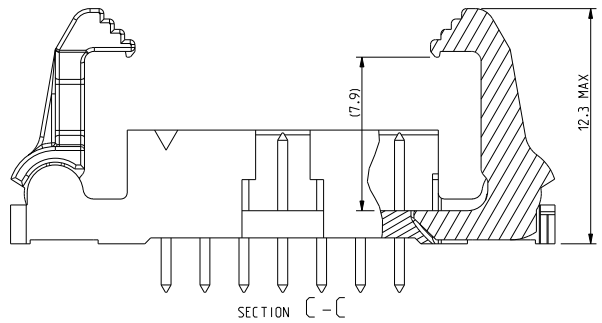
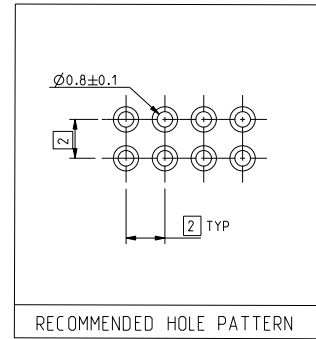
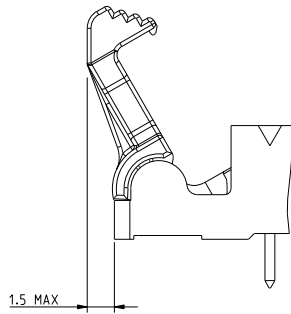
- a- PLATING :
"LF" MEANS THE PRODUCT IS LEAD FREE
2 µm MINIMUM MATTIE TIN OVER 1.27 µm NICKEL UNDERPLATE
- b- MANUFACTURING PROCESS COMPATIBILITY
THE HOUSING WILL WITHSTAND EXPOSURE TO 260 °C ±5 °C SOLDER BATH
TEMPERATURE FOR 5 SECONDS IN A WAVE SOLDER APPLICATION WITH A 1.6mm
THICK CIRCUIT BOARD.
- c- LABELLING
MEETS PACKAGING SPECS AS PER GS-14-920.
- d- THIS PRODUCT MEETS EUROPEAN DIRECTIVES
AND OTHER CONTRY REGULATION AS DESCRIBED IN GS-22-008.

rev	ecn no	dr	date
A	F08-0110	LSA	08-01-16
B	F08-0249	LMU	08.12.01
-	-	-	-
-	-	-	-
-	-	-	-
-	-	-	-

www.fciconnect.com			surface	tolerance std	projection	mm
Dr	NEBU PM	07-06-19	ISO 1302	ISO 406 ISO 1101	⊕	←
Eng	JM COMPAGNON	07-06-19	TOLERANCES UNLESS OTHERWISE SPECIFIED			Scale
Chr	JM COMPAGNON	07-06-19	ANGULAR	LINEAR	size	5:1
Appr	L. SAILLARD	07-06-19	0° ±"	0.x ±/	A3	ECN F08-0110
			Product family	Spec ref		
EJECT LATCH HEADER VERTICAL TMT catalog no					dwg no 10078991	Rev. B

PDM-Rev:5 CUSTOMER STATUS: Released sheet 1 of 2 Printed: Dec 10, 2008

SIZE	POSITIONS	DIM A	DIM B
06	2x3	4,00	20,00
08	2x4	6,00	22,00
10	2x5	8,00	24,00
12	2x6	10,00	26,00
14	2x7	12,00	28,00
24	2x12	22,00	38,00
30	2x15	28,00	44,00
40	2x 20	38,00	54,00
44	2x 22	42,00	58,00
50	2x 25	48,00	64,00

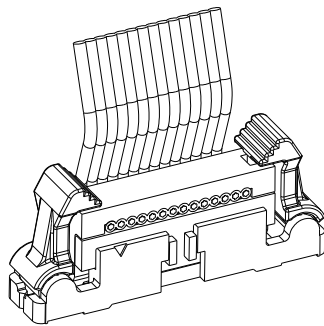
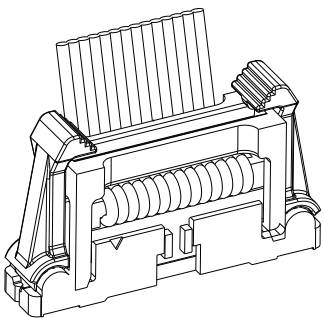


EXAMPLE 10078991-G02-14YLF
LOW PROFILE LATCH

PRODUCT USED IN COMBINATION WITH IDC
RECEPTACLE P/Ns 89361 & 89941

WITH STRAIN-RELIEF ACCESSORY
- STANDARD LATCH -

WITHOUT STRAIN-RELIEF ACCESSORY
- LOW PROFILE LATCH -



www.fciconnect.com		surface ISO 1302	-	tolerance std ISO 406 ISO 1101	projection mm	mm
		TOLERANCES UNLESS OTHERWISE SPECIFIED				
Dr	NEBU PM	07-06-19	ANGULAR	0.x	±/	Scale 3:1
Eng	JM COMPAGNON	07-06-19	LINEAR	0.xx	±/	size A3
Chr	JM COMPAGNON	07-06-19	0° ±/	0.xxx	±/	ECN FOB-0110
Appr	L. SAILLARD	07-06-19	Product family	-	Spec ref	-
FCI		Title EJECT LATCH HEADER VERTICAL TMT		Dwg no 10078991		Rev. B
catalog no		PDM-Rev:5		CUSTOMER		sheet 2 of 2 Printed: Dec 10, 2008

REV 1 - 2006-03-28

Copyright FCI.

D