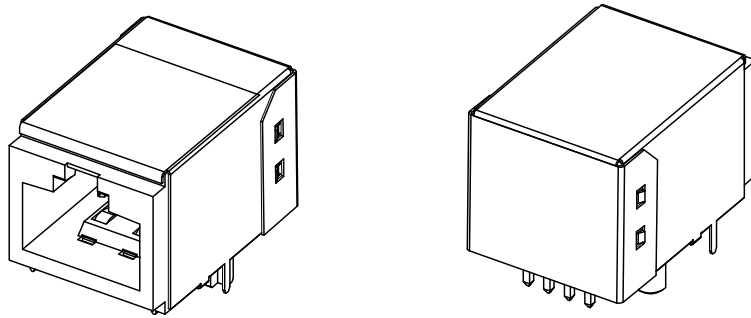
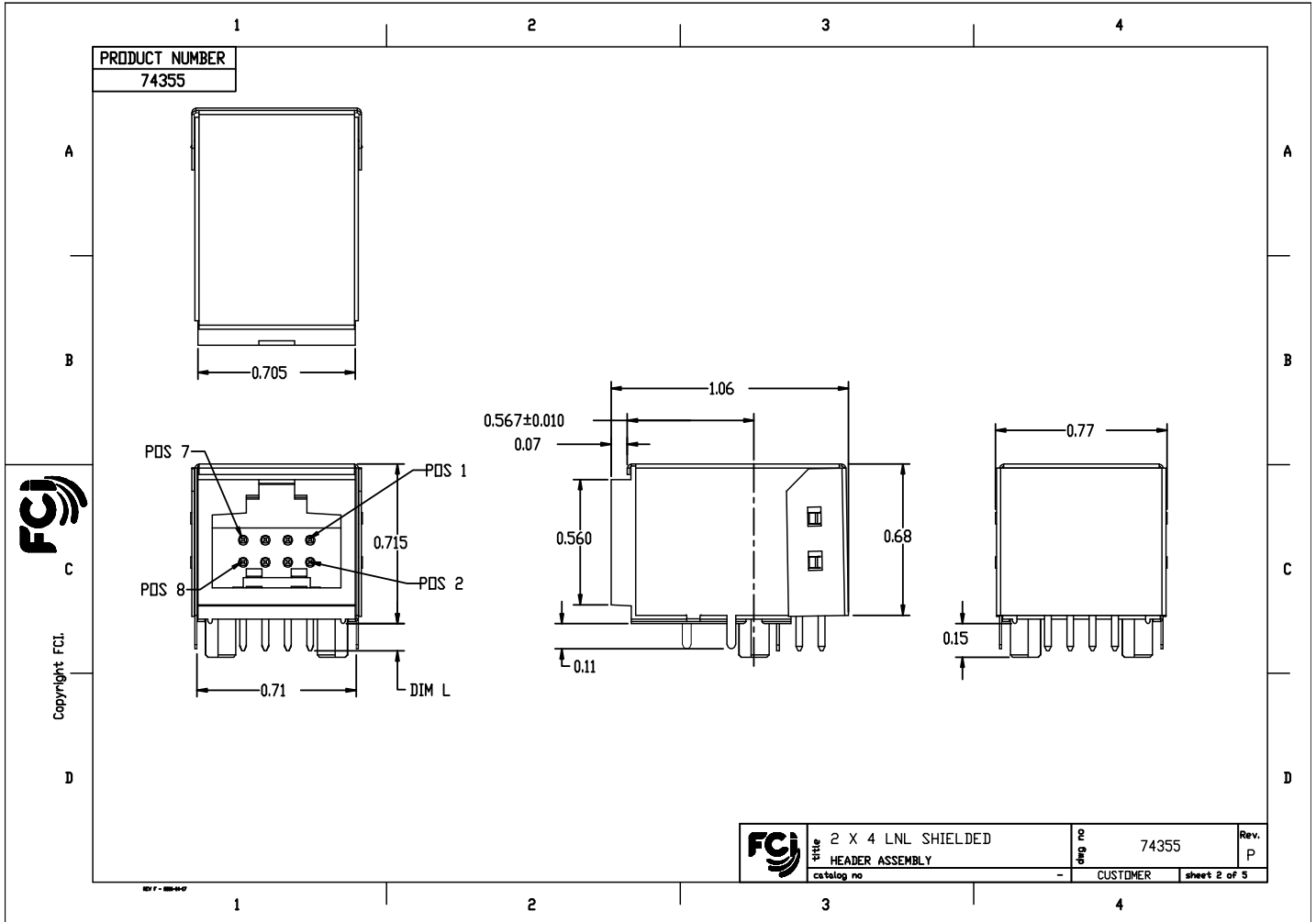


PRODUCT NUMBER
74355

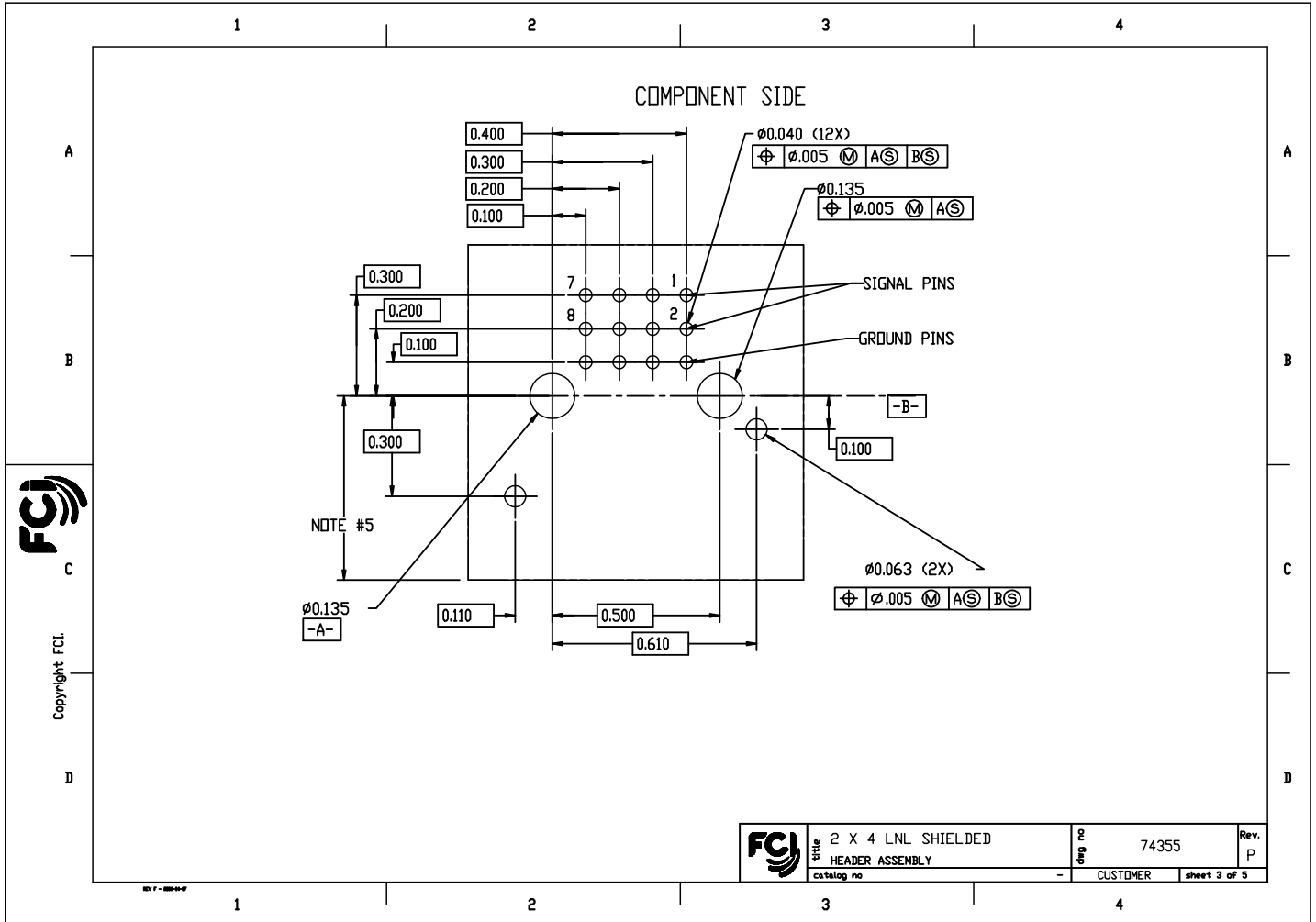


Copyright FCI.

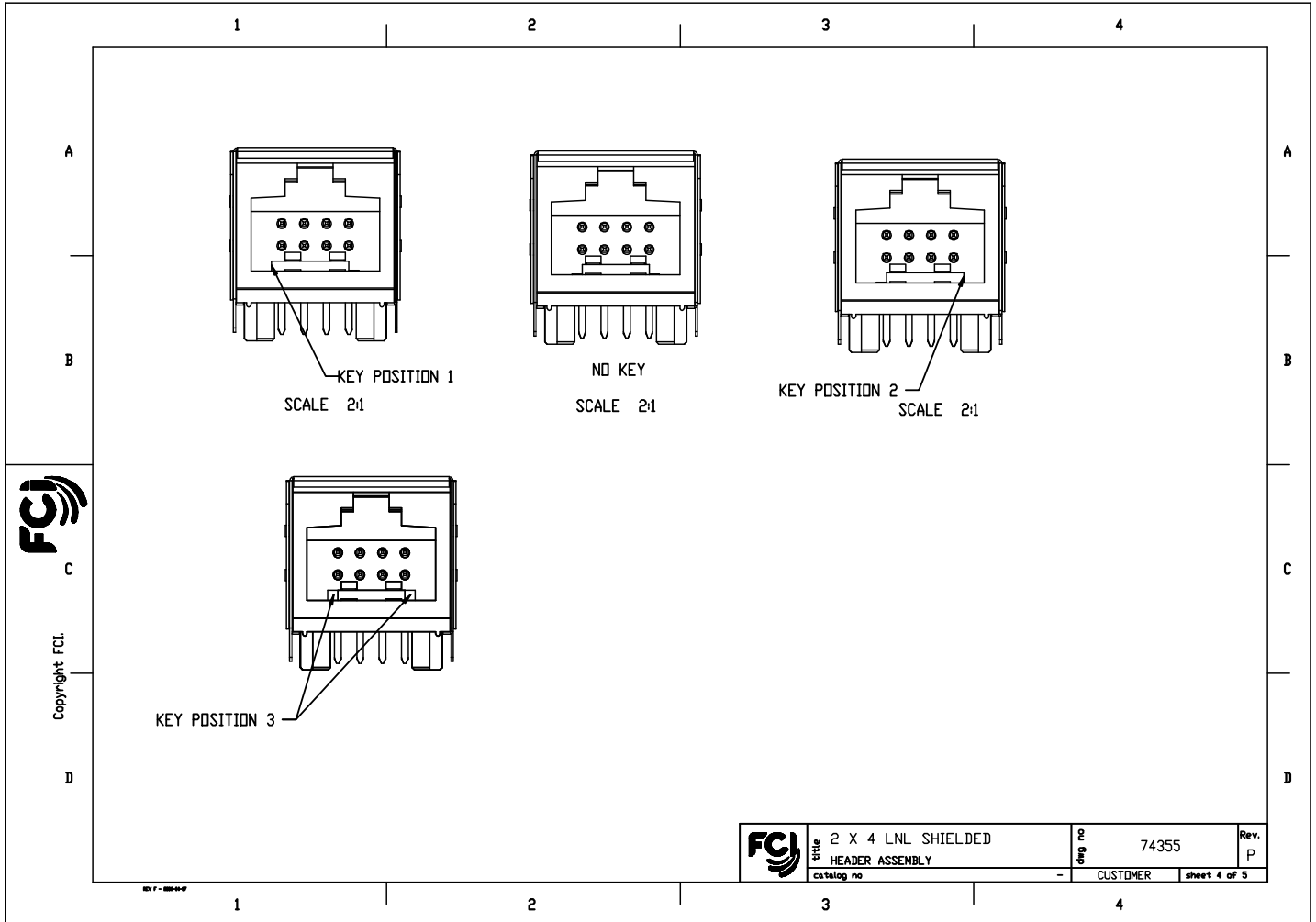
www.fciconnect.com				surface ASM Y145	tolerance std ASME Y14.5	projection ASME Y14.5	INCH
				TOLERANCES UNLESS OTHERWISE SPECIFIED			
Dr	T.DIAMOND	2/24/98	ANGULAR	0.01	0.01	size	A4
Eng	B.BRUBAKER	2/24/98	LINEAR	0.005	0.005	Scale	2:1
Chr	B.BRUBAKER	7/6/98	" ± "	0.000	0.0025	ECN	M09-0048
Appr	B.BRUBAKER	7/6/98	Product family			Spec ref	-
rev	ecn no	dr	date	2 X 4 LNL SHIELDED		part no	74355
H	V00532	TFG	03/06/00	HEADER ASSEMBLY		Rev.	P
J	V02267	RGD	11/9/00	catalog no		CUSTOMER	sheet 1 of 3
K	M05-0023	MHT	2/18/05				
L	M05-0033	MHT	3/03/05				
M	M06-0365	AGS	9/27/06				
N	M07-0372	MHT	2007-08-21				
P	M09-0048	MHT	2009-03-12				

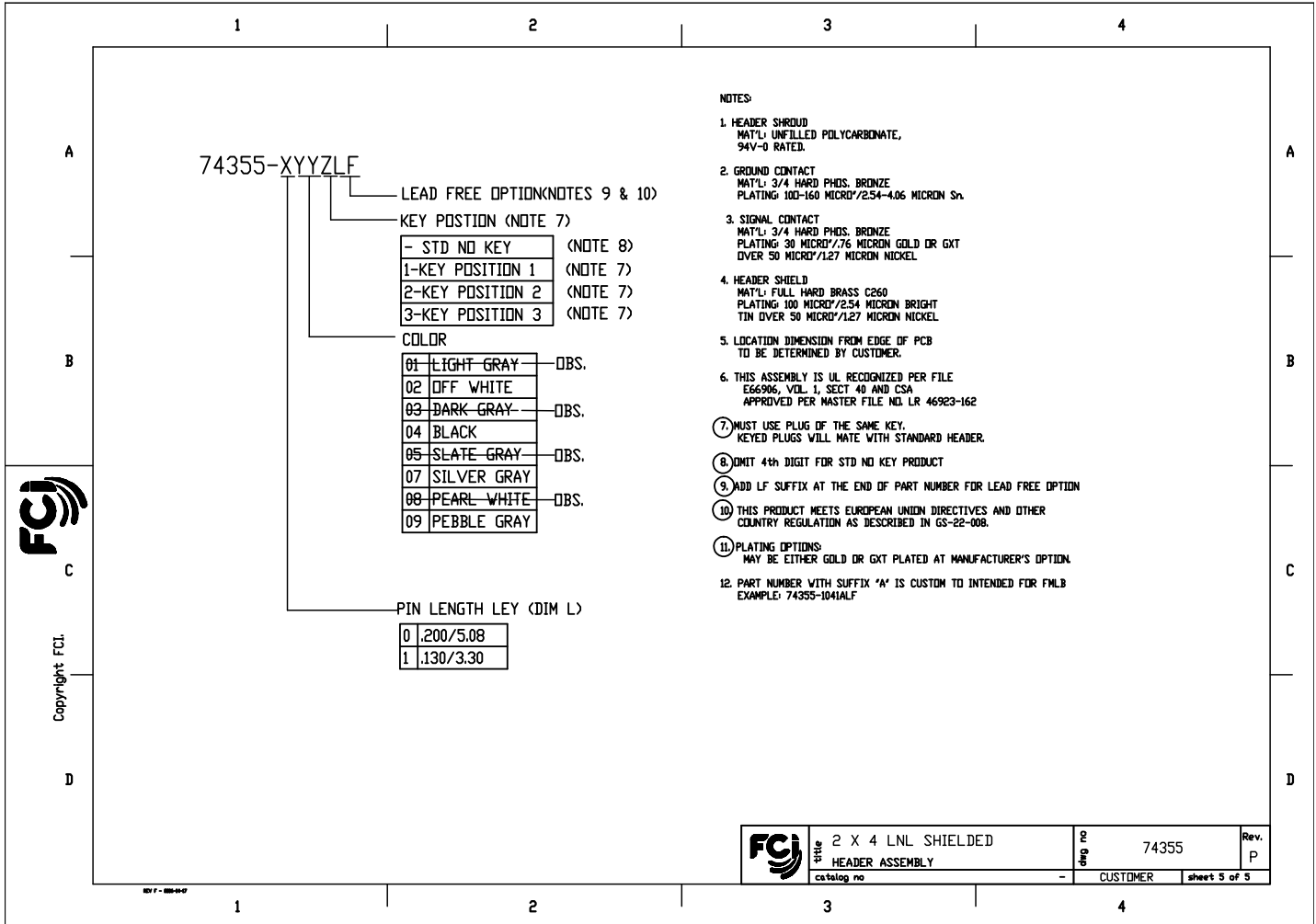


PDM: Rev:P STATUS:Released Printed: Jul 24, 2010



PDM: Rev:P STATUS:Released Printed: Jul 24, 2010





PDM: Rev:P

STATUS: Released

Printed: Jul 24, 2010