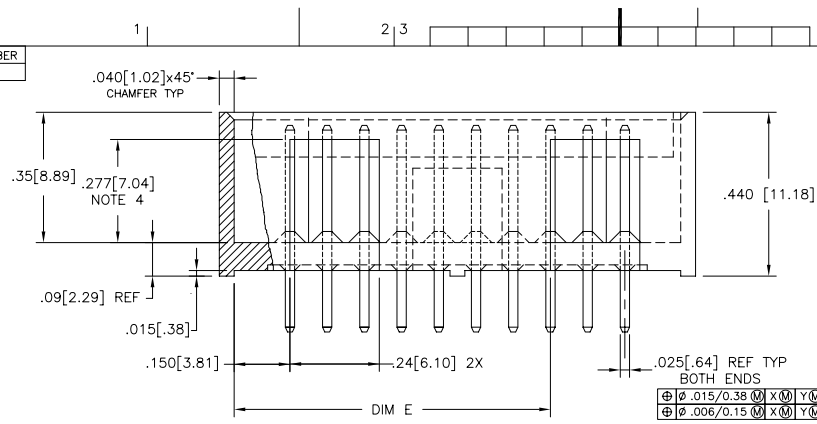


mat'l. code	NOTE 1	surface	ISO 1302	tolerance	ISO 406	projection	product family
ISO 1101		tolerances unless otherwise specified		XX±01/XX0.3	ISO 1101	INCH/MM	HEADER
ltr	ec'n	no	dr	date	angles	linear	title
A	APPD	JRL		4/3/85	0°±2'		STRAIGHT HEADER FOR
B	V81248	SAR		7/21/98			FLAT CABLE RECEIPT.
C	M05-0167	ERE		7/23/05		scale 3:1	dwg no
D	M07-0116	AGS		2/24/07	dr	W.J. COPENHAVER	sheet 1 of 4
E	M07-0238	AGS		5/23/07	engr	P. SMITH	size
F	N07-0150	MHT		8/01/07	chr	P. SMITH	A3
					appd	P.M. SMITH	68648
sheet	revision	F	F	F	F		type
index	sheet	1	2	3	4		Product Customer Drawing

PDM: Rev:F STATUS:Released Printed: Oct 13, 2010

PRODUCT NUMBER
SEE TABLE



VIEW G-G

.025[.64] REF TYP
BOTH ENDS
 Ⓢ .015/0.38 Ⓢ X Ⓢ Y Ⓢ AT TIP, TYP.
 Ⓢ .006/0.15 Ⓢ X Ⓢ Y Ⓢ AT BASE, TYP.

NOTES:

- 1 TERMINAL MATERIAL:
3/4 HARD PHOS BRONZE ALLOY UNS-C51000
- 2 TERMINAL PLATING:
30μ"/0.76μ AU OR GXT over 50μ"/1.27μ NICKEL
ON SWAGED TIPS AT MFG. OPTION
- 3 MOLDING MAT'L:
GLASS-FILLED POLYESTER, FLAME RETARDENT
PER UL94V-0, COLOR: BLACK
- ④ .020/0.51 MAX FLASH PERMISSIBLE AROUND
ALL WINDOWS
- ⑤ COMPANY LOGO TO BE MOLDED IN ON DATUM SURFACE
[Z] APPROXIMATELY AS SHOWN
- ⑥ .030/0.76 MAX FLASH PERMISSIBLE ON PINS
(BOTH SIDES)
- 7 OTHER PLATINGS ARE AVAILABLE ON 68419 &
68649. END OF PINS
- ⑧ .015/0.38 MAX FLASH PERMISSIBLE ON THIS
END OF PINS.

9. PLATING OPTIONS:
MAY BE EITHER GOLD OR GXT PLATED AT MANUFACTURER'S OPTION.
10. ADD "LF" SUFFIX AT THE END OF PART NUMBER
FOR LEAD FREE OPTION
- ⑪ THIS PRODUCT MEETS EUROPEAN UNION DIRECTIVES AND OTHER
COUNTRY REGULATION AS DESCRIBED IN GS-22-008.
- ⑫ THE HOUSING WILL WITHSTAND EXPOSURE TO 260°C PEAK TEMPERATURE
FOR 15 SECONDS IN A WAVE SOLDER APPLICATION WITH A 1.5mm
MINIMUM THICK CIRCUIT BOARD. SEE APPLICATION NOTES/PROCEDURES
IF THEY ARE AVAILABLE.

mat'l. code	surface ISO 1302	tolerance ISO 406 ISO 1101	projection	product family HEADER
ltr	ecn no	dr	date	title
F				STRAIGHT HEADER FOR FLAT CABLE RECEP.
	angles	linear	tolerances unless otherwise specified XX±01/XX03 XXX±.005/XXX0.13 XXXX±.0020/XXXX.051	INCH/MM
	0°±2°			scale 3:1
	dr	COPENHAVER	17/10/84	
	enrg	P. SMITH	4/10/85	
	chr	P. SMITH	4/10/85	
	appd	P. SMITH	4/10/85	
sheet index	revision sheet			sheet 2 of 4 size 68648 type Product Customer Drawing

PRODUCT NO	NO.OF	DIM C	DIM C	DIM B	DIM B	DIM D	DIM D	DIM E	DIM E	DIM H	DIM H	"A"			
NOTE 10	POS.	ENGLISH	METRIC	ENGLISH	METRIC	ENGLISH	METRIC	ENGLISH	METRIC	ENGLISH	METRIC	SPACES			
68648-001	6	0.500	12.70	0.200	5.08	0.150	3.81	0.000	0.00	0.130	3.30	2	-	-	-
68648-002	8	0.600	15.24	0.300	7.62	0.150	3.81	0.000	0.00	0.130	3.30	3	-	-	-
68648-003	10	0.700	17.78	0.400	10.16	0.250	6.35	0.000	0.00	0.130	3.30	4	-	-	-
68648-004	12	0.800	20.32	0.500	12.70	0.250	6.35	0.000	0.00	0.130	3.30	5	-	-	-
68648-005	14	0.900	22.86	0.600	15.24	0.350	8.89	0.000	0.00	0.130	3.30	6	-	-	-
68648-006	16	1.000	25.40	0.700	17.78	0.350	8.89	0.000	0.00	0.130	3.30	7	-	-	-
68648-007	18	1.100	27.94	0.800	20.32	0.450	11.43	0.000	0.00	0.130	3.30	8	-	-	-
68648-008	20	1.200	30.48	0.900	22.86	0.150	3.81	0.850	21.59	0.130	3.30	9	-	-	-
68648-009	22	1.300	33.02	1.000	25.40	0.150	3.81	0.950	24.13	0.130	3.30	10	-	-	-
68648-010	24	1.400	35.56	1.100	27.94	0.150	3.81	1.050	26.67	0.130	3.30	11	-	-	-
68648-011	26	1.500	38.10	1.200	30.48	0.150	3.81	1.150	29.21	0.130	3.30	12	-	-	-
68648-012	28	1.600	40.64	1.300	33.02	0.150	3.81	1.250	31.75	0.130	3.30	13	-	-	-
68648-013	30	1.700	43.18	1.400	35.56	0.150	3.81	1.350	34.29	0.130	3.30	14	-	-	-
68648-014	32	1.800	45.72	1.500	38.10	0.150	3.81	1.450	36.83	0.130	3.30	15	-	-	-
68648-015	34	1.900	48.26	1.600	40.64	0.150	3.81	1.550	39.37	0.130	3.30	16	-	-	-
68648-016	36	2.000	50.81	1.700	43.18	0.150	3.81	1.650	41.91	0.130	3.30	17	-	-	-
68648-017	38	2.100	53.34	1.800	45.72	0.150	3.81	1.750	44.45	0.130	3.30	18	-	-	-
68648-018	40	2.200	55.88	1.900	48.26	0.150	3.81	1.850	46.99	0.130	3.30	19	-	-	-
68648-019	42	2.300	58.42	2.000	50.80	0.150	3.81	1.950	49.53	0.130	3.30	20	-	-	-
68648-020	44	2.400	60.96	2.100	53.34	0.150	3.81	2.050	52.07	0.130	3.30	21	-	-	-
68648-021	46	2.500	63.50	2.200	55.88	0.150	3.81	2.150	54.61	0.130	3.30	22	-	-	-
68648-022	48	2.600	66.04	2.300	58.42	0.150	3.81	2.250	57.15	0.130	3.30	23	-	-	-
68648-023	50	2.700	68.58	2.400	60.96	0.150	3.81	2.350	59.69	0.130	3.30	24	-	-	-
68648-024	52	2.800	71.12	2.500	63.50	0.150	3.81	2.450	62.23	0.130	3.30	25	-	-	-
68648-025	54	2.900	73.66	2.600	66.04	0.150	3.81	2.550	64.77	0.130	3.30	26	-	-	-
68648-026	56	3.000	76.20	2.700	68.58	0.150	3.81	2.650	67.31	0.130	3.30	27	-	-	-
68648-027	58	3.100	78.74	2.800	71.12	0.150	3.81	2.750	69.85	0.130	3.30	28	-	-	-
68648-028	60	3.200	81.28	2.900	73.66	0.150	3.81	2.850	72.39	0.130	3.30	29	-	-	-
68648-029	62	3.300	83.82	3.000	76.20	0.150	3.81	2.950	74.93	0.130	3.30	30	-	-	-
68648-030	64	3.400	86.36	3.100	78.74	0.150	3.81	3.050	77.47	0.130	3.30	31	-	-	-

mat'l. code	surface	tolerance	projection	product family
ISO 1302	ISO 1302	ISO 406	ISO 1101	HEADER
tr	ecn	no	dr	date
F				
tolerances unless otherwise specified		angles		linear
0°±2'		XX±01/XX±03		XX±05/XX±13
		XXXX±0020/XXXX±05		
dr	COPENHAVER	17/10/84		
enrg	P. SMITH	4/10/85		
chr	P. SMITH	4/10/85		
appd	P. SMITH	4/10/85		
sheet index	revision sheet			

title	product family
STRAIGHT HEADER FOR FLAT CABLE RECEPT.	HEADER
dwg no	sheet 3 of 4 size
68648	A3
type	Product Customer Drawing

PRODUCT NO	NO.OF PINS	DIM C		DIM B		REAR SLOT WIDTH				DIM H		'A'	SPACES			
		ENGLISH	METRIC	ENGLISH	METRIC	ENGLISH	METRIC	ENGLISH	METRIC	ENGLISH	METRIC					
68648-031	66	3.500	88.90	3.200	81.28	0.150	3.81	3.150	80.01	0.130	3.30	32				
68648-032	68	3.600	91.44	3.300	83.82	0.150	3.81	3.250	82.55	0.130	3.30	33				
68648-033	70	3.700	93.98	3.400	86.36	0.150	3.81	3.350	85.09	0.130	3.30	34				
68648-034	72	3.800	96.52	3.500	88.90	0.150	3.81	3.450	87.63	0.130	3.30	35				
68648-035	10	0.700	17.78	0.400	10.16	0.250	6.35	0.000	0.00	0.155	3.94	4				
68648-036	14	0.900	22.86	0.600	15.24	0.350	8.89	0.000	0.00	0.155	3.94	6				
68648-037	20	1.200	30.48	0.900	22.86	0.150	3.81	0.850	21.59	0.155	3.94	9				
68648-038	26	1.500	38.10	1.200	30.48	0.150	3.81	1.150	29.21	0.155	3.94	12				
68648-039	32	1.800	45.72	1.500	38.10	0.150	3.81	1.450	36.83	0.155	3.94	15				
68648-040	40	2.200	55.88	1.900	48.26	0.150	3.81	1.850	46.99	0.155	3.94	19				
68648-041	50	2.700	68.58	2.400	60.96	0.150	3.81	2.350	59.69	0.155	3.94	24				
68648-042	I N A C T I V E															
68648-043	I N A C T I V E															
68648-044	I N A C T I V E															

mat'l. code	surface	tolerance	projection	product family
ISO 1302	ISO 406	ISO 1101	ISO 1101	HEADER
itr ecn no dr date	tolerances unless otherwise specified		INCH/MM	title
F	angles	linear	scale 3:1	STRAIGHT HEADER FOR FLAT CABLE RECEPT.
	0°±2'	XX±0.1/XX±0.3		dwg no 68648 sheet 4 of 4 size A3
	dr COPENHAVER	17/10/84	FCJ	type Product Customer Drawing
	enrg P. SMITH	4/10/85		
	chr P. SMITH	4/10/85		
sheet index	revision sheet			

PDM: Rev:F STATUS:Released Printed: Oct 13, 2010