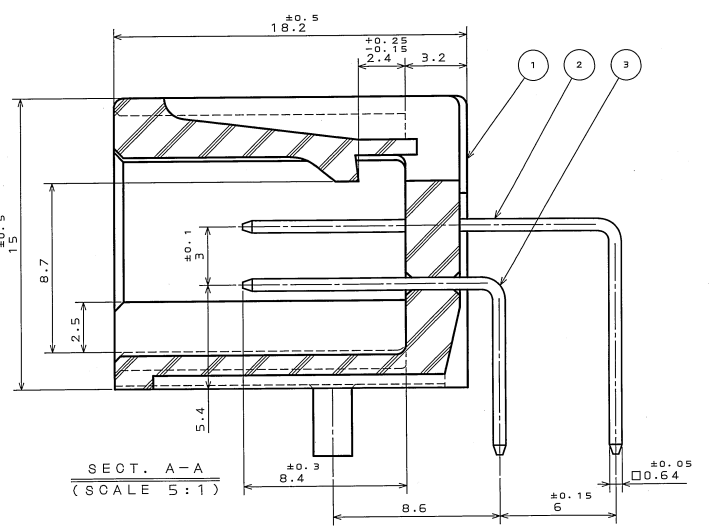
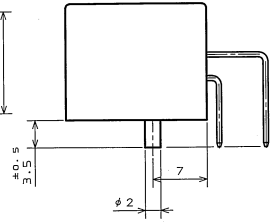
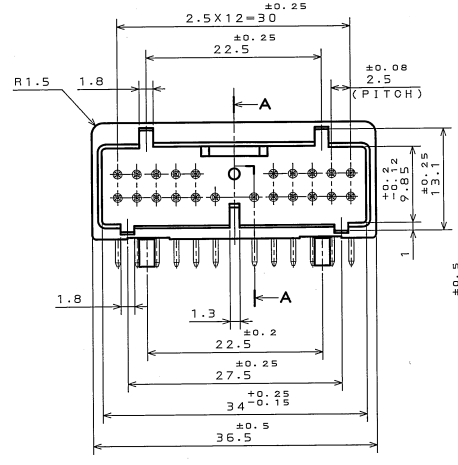
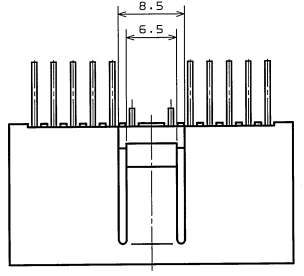
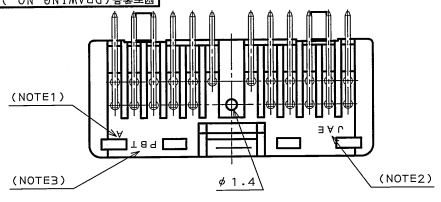


6SZE20S
(DRAWING NO.)

版数 REV.	年月日 DATE	図番 DON NO.	変更内容 DESCRIPTION	製図 DR.	担当 CHK.	査閲 APPD.	承認 APPD.
2	8.Sep.2003	053208	CHANGED TO BILINGUAL AND REDRAWN etc.		S.HARA	<i>[Signature]</i>	<i>[Signature]</i>



- NOTE1. MOLD CAVITY DESIGNATOR APPEARS IN RAISED LETTERS. 注1. 金型マークを浮き出す。
 2. COMPANY LOGO "JAE" APPEARS IN RAISED LETTERS. 2. 社標を浮き出す。
 3. MATERIAL MARK APPEARS IN RAISED LETTERS. 3. 材料マークを浮き出す。
 4. CONTACT TIP IS NOT PLATED AT POINT OF BREAK OFF. 4. コンタクト先端部に、メッキは付かない。

品名 PART NO.	数量 QTY.	材料 MATERIAL	仕上 FINISH	備考 REMARKS
3 CONTACT B	12	BRASS	TIN PLATING	
2 CONTACT A	10	BRASS	TIN PLATING	
1 INSULATOR	1	P B T		COLOR: GREEN

仕様書 (SPECIFICATION) JACS-1309	第1版 (ORIGINAL DATE) 11.Nov.1988	図名 (TITLE) Reference Only	製図 (DRAWING NO.) 1L-A65-22P-D3L2	製図 (DRAWING NO.) SJ023259
----------------------------------	------------------------------------	------------------------------	-------------------------------------	------------------------------

製図 (DRAWING NO.)
1L-A65-22P-D3L2

製図 (DRAWING NO.)
SJ023259

DOF-0-212E(03.08)



JAE CONNECTOR DIV. PROPRIETARY.
COPYRIGHT (C) 1988, JAPAN AVIATION ELECTRONICS INDUSTRY, LTD.

SIZE A3
版数 (REV.)
2