

PRODUCT NUMBER

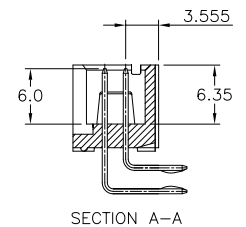
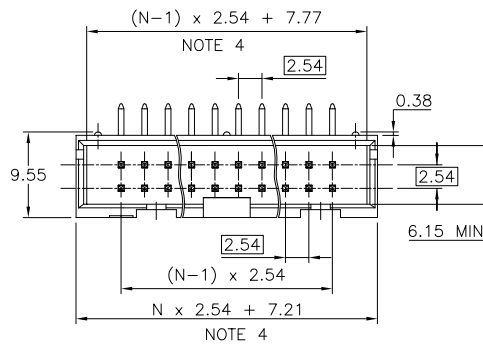
71979-YXXLF

WHEN REQUIRED, ADD SUFFIX LETTER "LF" INDICATES THE PRODUCT IS RoHS COMPATIBLE, SEE NOTE 7

PLATING

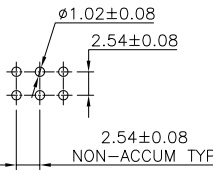
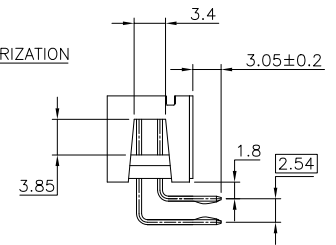
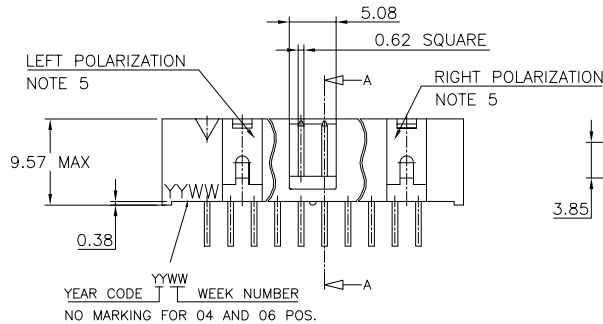
- 2 = 0.76µm GOLD/GXT, (PdNi WITH GOLD FLASH) ON CONTACT AREA
3.81µm TIN-LEAD ON TAIL
- 3 = 3.81µm TIN-LEAD ALL OVER
UNDERPLATE : 1.27µm Ni MIN
- WHEN SUFFIX LETTER "LF" IS REQUIRED, 2µm MIN MATTE TIN OVER 1.27µm MIN NICKEL IS PROVIDED INSTEAD OF TIN-LEAD

TOTAL NUMBER OF POSITIONS	
06	26
08	34
10	40
14	44
16	50
18	60
20	64



NOTES:

- 1 - HOUSING MAT'L : GLASS FILLED THERMOPLASTIC. UL94V-0 COLOR: BLUE
- 2 - PIN MATERIAL : PHOSPHOR BRONZE
- 3 - PRODUCT PACKAGED IN TUBES.
- 4 - TO DETERMINE DIMENSIONS :
N = NUMBER OF POSITIONS PER ROW
EXAMPLE : 8 POS N x 2.54 = 20.32mm
- 5 - NO LEFT POLARIZATION FOR POS 04, 06, 08, 14.
NO RIGHT POLARIZATION FOR POS 04, 06, 08.
- 6 - RETENTION LEGS IN THE CENTER OF THE CONNECTOR.
- 7 - RoHS COMPATIBLE PRODUCT SPECIFICATIONS
 - a - PLATING:
- "LF" MEANS THE PRODUCT IS LEAD-FREE, 2µm MINIMUM MATTE TIN OVER 1.27µm MINIMUM NICKEL UNDERPLATE.
 - b - MANUFACTURING PROCESS COMPATIBILITY
- THE HOUSING WILL WITHSTAND EXPOSURE TO 260°C ±5°C SOLDER BATH TEMPERATURE FOR 5 SECONDS IN A WAVE SOLDER APPLICATION WITH A 1.6mm MIN THICK CIRCUIT BOARD.
 - c - LABELLING:
- MEETS PACKAGING SPECS AS PER GS-14-920
 - d - LEGAL STATEMENT: SEE GS-22-008



mat'l. code	surface	tolerance	projection	product family
SEE NOTES	ISO 1302	ISO 406 ISO 1101	mm	QUICKIE
ltr	ecn no	dr	date	title
J	F80621	PNZ	98.09.03	SHR.LP.HEADER
K	F04-0389	LMU	04.12.22	RA.RETENTION LEGS
L	F06-0229	LMU	06.07.18	
M	F06-0314	LMU	06.11.02	
N	F07-0198	LMU	07.05.30	
P	F08-0146	YOV	08.04.14	
		engr	J.COMPAGNON	
		chr	JCO	
		appd	JCO	

scale: 1:1	sheet 1 of 1	size
	71979	A3
	CUSTOMER Drawing	