

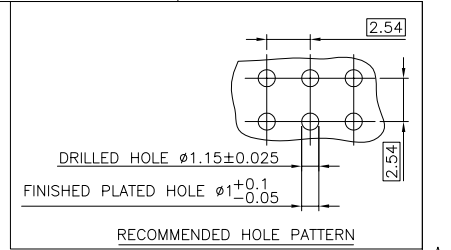
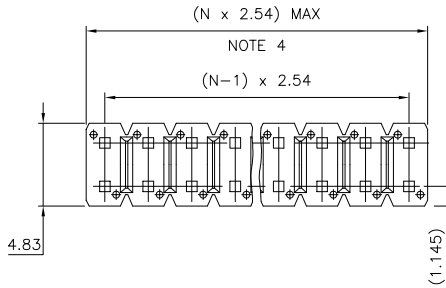
PRODUCT NUMBER
93690-YXX-XXLF

PLATING, SEE TABLE

LEAD FREE
SEE NOTE 6 & 7

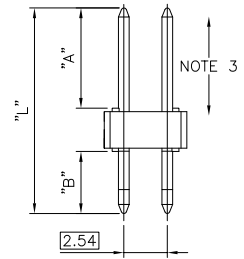
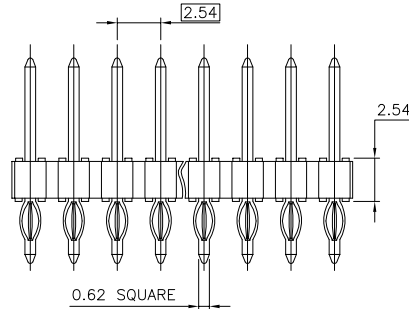
TOTAL NB OF POS
04 TO 72

PIN STYLE	DIM "A" REF	DIM "B" ±0.3	DIM "L" REF
01	7.5	4.7	14.78
02	10.14	4.7	17.40
03	5.68	4.7	12.83
04	14.89	4.7	22.15
05	8.3	4.7	15.44
06	6.8	3.6	12.9
07	6.7	3.4	12.62
08	5.2	3.4	11.1
09	8.30	3.6	14.40



NOTES:

- HOUSING MAT'L : HIGH TEMPERATURE THERMOPLASTIC. UL94V-0 COLOR: BLACK
- PIN MATERIAL : COPPER ALLOY
- 9N MIN RETENTION IN EITHER DIRECTION
- TO DETERMINE DIMENSIONS :
N = NUMBER OF POSITIONS PER ROW
EXAMPLE : 8 POS PER ROW, N x 2.54 = 20.32mm
- PACKAGING POLYBAGS
- FOR LEAD FREE PART NUMBER ADD "LF" SUFFIX AT THE END OF PART NUMBER
- "LF" MEANS THAT THE PRODUCT IS RoHS COMPLIANT THEN MEETS EUROPEAN UNION DIRECTIVES AND OTHER COUNTRY REGULATION AS DESCRIBED IN GS-22-008



93690-9XX-XXLF	0.2µm GOLD OVER 1.27µm Ni MIN	
93690-7XX-XXLF	GOLD FLASH OVER Ni MIN	1.0µm TIN OVER 1.27µm Ni MIN
93690-4XX-XXLF	3.05µm TIN OVER 1.27µm Ni MIN	
93690-1XX-XXLF	0.76µm GOLD/GXT OVER 1.27µm Ni MIN	1.0µm TIN OVER 1.27µm Ni MIN
93690-4XX-XX	3.05µm TIN-LEAD OVER 1.27µm Ni MIN	
93690-1XX-XX	0.76µm GOLD/GXT OVER 1.27µm Ni MIN	1.0µm TIN-LEAD OVER 1.27µm Ni MIN
PLATING	CONTACT AREA	PRESS FIT TAIL AREA

mat'l. code	surface	tolerance	projection	product family
SEE NOTE	ISO 1302 ✓	ISO 406 ISO 1101		BSTIK
Ltr ecn no dr date	tolerances unless otherwise specified	angles	linear	title
H F06-019d LMU 06.06.20	.x ±0.30		mm	HDR PRESS FIT
J F07-0142 LMU 07.02.23	xx ±0.15		scale 5:1	DOUBLE ROW
K F08-0148 RTR 08.03.31	xxx ±0.05			dwg no
L F09-0043 JCO 09.05.07	MULIN.L	99.06.30		sheet 1 of 1
M F10-0229 LMU 10.10.04	engr COMPAGNON J	99.06.30		size
	chr NIZZI.P	99.06.30		A3
G F05-0251 LMU 05.09.15	appd J.M.C	96.05.06		type
sheet	revision			CUSTOMER Drawing
index	sheet			