

PRODUCT NUMBER
93689-YXX-XXLF

PLATING, SEE TABLE

LEAD FREE OPTION
SEE NOTE 6 & 7

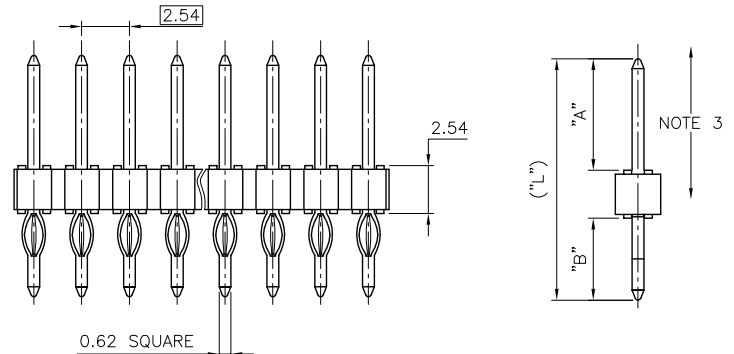
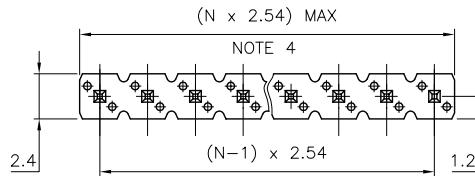
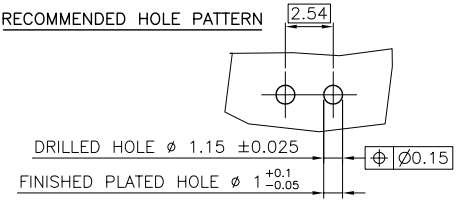
TOTAL NB OF POS
02 TO 36

PIN STYLE	DIM "A" REF	DIM "B" ±0.3 REF	DIM "L" REF
01	7.5	4.7	14.78
02	10.14	4.7	17.40
03	5.68	4.7	12.83
04	14.89	4.7	22.15
05	8.3	4.7	15.44
06	6.8	3.6	12.9
07	17.5	3.6	23.85

NOTES:

- HOUSING MAT'L : HIGH TEMPERATURE THERMOPLASTIC. UL94V-0 COLOR: BLACK
- PIN MATERIAL : PHOSPHOR BRONZE
- 9N MIN RETENTION IN EITHER DIRECTION
- TO DETERMINE DIMENSIONS :
N = NUMBER OF POSITIONS PER ROW
EXAMPLE : 8 POS PER ROW, N x 2.54 = 20.32mm
- STANDARD PACKAGING IN POLYBAGS
- FOR LEAD FREE PART NUMBER ADD "LF" SUFFIX AT THE END OF PART NUMBER
- "LF" MEANS THAT THE PRODUCT IS RoHS COMPLIANT THEN MEETS EUROPEAN UNION DIRECTIVES AND OTHER COUNTRY REGULATION AS DESCRIBED IN GS-22-008

RECOMMENDED HOLE PATTERN



0.62 SQUARE

XXXXX-4XXLF	3.05µm TIN OVER 1.27µm Ni MIN	
XXXXX-1XXLF	0.76µm GOLD/GXT OVER 1.27µm Ni MIN	1.0µm TIN OVER 1.27µm
XXXXX-4XX	3.05µm TIN-LEAD OVER 1.27µm Ni MIN	
XXXXX-1XX	0.76µm GOLD/GXT OVER 1.27µm Ni MIN	1.0µm TIN-LEAD OVER 1.27µm MIN
PLATING NUMBER	CONTACT AREA	PRESS FIT TAIL AREA

mat'l. code	surface	tolerance	projection	product family
Ltr	ISO 1302	ISO 406 ISO 1101		BSTIK
ecn no	dr	date	tolerances unless otherwise specified	title
H F08-0148	RTR	08.03.31	.x ±0.3	HEADER P-FIT SINGLE ROW
J F09-0043	JCO	09.05.07	linear .xx ±0.15	
			xxx ±0.05	
D F20116	LMU	02.01.15	dr COMPAGNON J 95.07.25	dwg no
E F05-0251	LMU	05.09.15	engr JMC 95.07.24	sheet 1 of 1
F F06-0198	LMU	06.06.20	chr	size
G F07-0143	LMU	07.02.23	appd JMC 95.07.25	A3
sheet index	revision sheet			type
				CUSTOMER Drawing

PDM: Rev:J

STATUS: Released

Printed: Jul 31, 2009