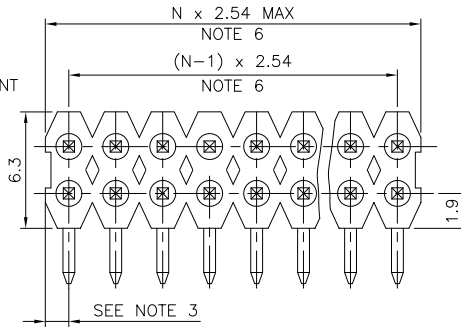


PRODUCT NUMBER

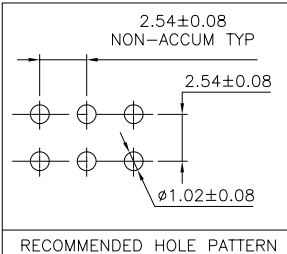
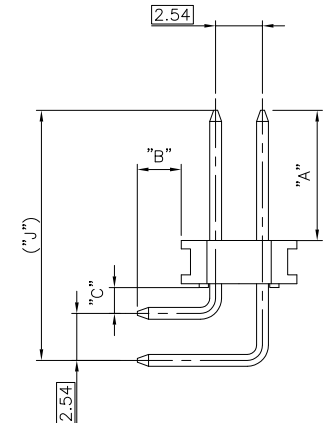
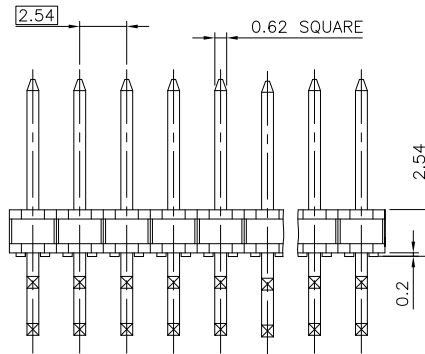
76345-YXX-XXLF

- WHEN REQUIRED, ADD SUFFIX LETTER "LF" INDICATES THE PRODUCT IS RoHS COMPLIANT & COMPATIBLE, SEE NOTE 7
- TOTAL NB OF POSITIONS 04 TO 72
- PIN STYLE SEE SHEET 2
- PLATING SEE SHEET 2



NOTES:

1. HOUSING MAT'L : HIGH TEMPERATURE THERMOPLASTIC. UL94V-0 COLOR: BLACK
2. PIN MATERIAL : PHOSPHOR BRONZE
3. DIM $1.27^{+0.03}_{-0.13}$ FOR MOULDED SIDE(S) ONLY. IF SIDE(S) ARE BROKEN, DIM 1.02 TO 1.7 MAX APPLIES.
4. PRODUCT PACKAGED IN POLY BAGS.
5. 12N MIN RETENTION IN EITHER DIRECTION
6. TO DETERMINE DIMENSIONS :
N = NUMBER OF POSITIONS PER ROW
EXAMPLE : 8 POS N x 2.54 = 20.32mm
7. RoHS COMPATIBLE PRODUCT SPECIFICATIONS
 - a - MANUFACTURING PROCESS COMPATIBILITY
 - THE HOUSING WILL WITHSTAND EXPOSURE TO 260°C ±5°C SOLDER BATH TEMPERATURE FOR 5 SECONDS IN A WAVE SOLDER APPLICATION WITH A 1.6mm MIN THICK CIRCUIT BOARD.
 - b - LABELLING:
 - MEETS PACKAGING SPECS AS PER GS-14-920
 - c - LEGAL STATEMENT : SEE GS-22-008



mat'l. code	surface	tolerance	projection	product family
SEE NOTES	ISO 1302	ISO 406 ISO 1101		BSTIK
ltr	ecn no	dr	date	title
L	F10407	JMC	91.05.24	HEADER RA,DR, WIDE BODY,2.54mm
M	F50646	JMC	95.08.30	dwg no 76345 sheet 1 of 2 size A3
N	F05-0186	LMU	05.05.31	
P	F06-0207	LMU	06.07.27	type CUSTOMER Drawing
R	F08-0148	JCO	08.05.27	
engn		JMC	95.08.30	
chr				
appd		JMC	95.08.30	
sheet index	revision	R	R	
	sheet	1	2	

PIN STYLE	PRODUCT DIMENSIONS			
	"A"	"B"	"C"	"J"
	±0.2	±0.35	REF	REF
01	5.72	3.05	1.4	12.19
02	5.72	3.7	1.4	12.19
03	8.08	2.93	1.52	14.68
04	6.1	3.2	1.52	12.7
05	7.15	3.05	1.52	13.75
06	5.84	2.83	1.52	12.44
07	10.89	3.05	1.52	17.49

76345-9XX(LF)	0.2µm Au
76345-8XX(LF)	0.38µm Au/GXT
76345-7XX(LF)	
76345-6XX(LF)	0.76µm PdNi - GOLD FLASH
76345-5XX(LF)	0.38µm PdNi - GOLD FLASH
76345-4XX(LF)	
76345-3XXLF	2µm Sn MIN MATTE
76345-3XX	3.81µm SnPb
76345-2XX(LF)	1.27µm Au/GXT
76345-1XX(LF)	0.76µm Au/GXT
PLATING CODE	MINIMUM PLATING THICKNESS OVER 1.27µm MIN

mat'l. code	surface	tolerance	projection	product family
	ISO 1302	ISO 406 ISO 1101		BSTIK
ltr	ecn no	dr	date	title
L	F10407	JMC	91.05.24	HEADER,DR,RA, WIDE BODY,2.54 mm
M	F50646	JMC	95.08.30	
N	F05-0186	LMU	05.05.31	
P	F06-0207	LMU	06.07.27	
R	F08-0148	JCO	08.05.27	
		engr	JMC	95.08.30
		chr	JMC	95.08.30
		appd	JMC	95.08.30
sheet index	revision sheet			