

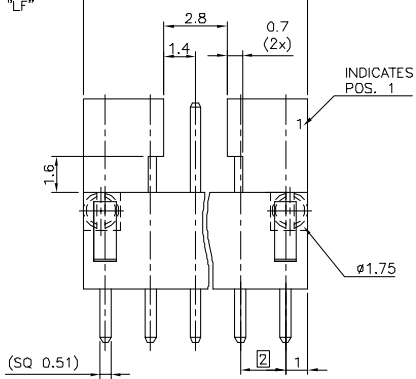
PRODUCT NUMBER  
95000-XXXXLF

PLATING  
0 = 0.2µm GOLD/GXT  
1 = 0.76µm GOLD/GXT  
3 = 0.38µm GOLD/GXT  
5 = 0.38µm GXT  
6 = 0.76µm GXT  
UNDERPLATING 1.27µm Ni MIN

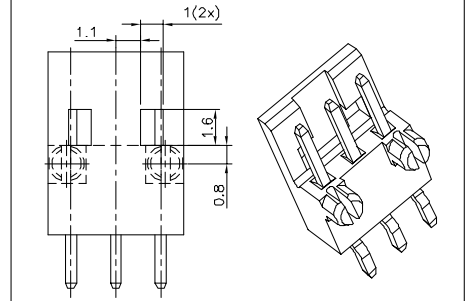
WHEN REQUIRED, ADD SUFFIX LETTER "LF"  
INDICATES THE PRODUCT IS RoHS  
COMPATIBLE, SEE NOTE 6 & 7

PACKAGING TYPE, NOTE 3  
TOTAL NB OF POSITIONS, 3 TO 17

N x 2.00  
SEE NOTE 5

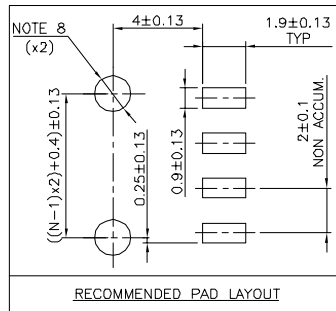
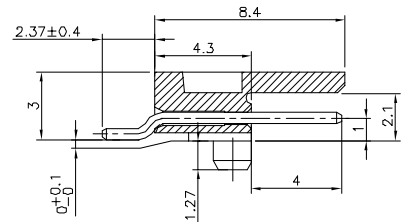
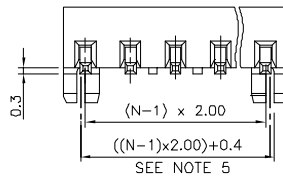


LATCHING FEATURE FOR 1x3 POS ONLY



NOTES:

- 1 - HOUSING MAT'L : HIGH TEMPERATURE THERMOPLASTIC. UL94V-0 COLOR: CREAM
- 2 - PIN MATERIAL : COPPER ALLOY
- 3 - PACKAGING :  
= POLY BAGS  
T = TUBE, FROM 04 POS UP TO 17 POS  
TR = TAPE & REEL  
SEE TAB45 FOR PRODUCT AVAILABILITY
- 4 - 7N MIN RETENTION IN EITHER DIRECTION
- 5 - TO DETERMINE DIMENSIONS :  
N = NUMBER OF POSITIONS
- 6 - 95000-XXXXLF IS SIMILAR TO 95000-XXXX, THE SUFFIX "LF" IS ADDED FOR EASY LEAD FREE IDENTIFICATION
- 7 - RoHS COMPATIBLE PRODUCT SPECIFICATIONS
  - a - MANUFACTURING PROCESS COMPATIBILITY  
- THE HOUSING WILL WITHSTAND EXPOSURE TO 260°C PEAK TEMPERATURE FOR 30 SECONDES MAX IN A CONVECTION, INFRA-RED OR VAPOR PHASE OR REFLOW OVEN.
  - b - LABELLING  
- MEETS PACKAGING SPECS AS PER GS-14-920
  - c - THIS PRODUCT MEETS EUROPEAN DIRECTIVES AND OTHER COUNTRY REGULATIONS AS DISCRIBED IN GS-22-008.
- 8 - HOLE DIMENSION TO BE  $\phi 1.60 \pm 0.07$  FOR INTERFERENCE FIT APPLICATIONS  
HOLE DIMENSION TO BE  $\phi 1.95 \pm 0.07$  FOR NON INTERFERENCE FIT (LOCATIONAL) APPLICATIONS



mat'l. code		surface	tolerance	projection	product family
		ISO 1382	ISO 486 ISO 1101		MINITEK
		tolerances unless otherwise specified			title
J	F06-0193	LMU	06.06.105	mm	MINITEK SMT HDR SR
K	F07-0179	LMU	07.04.24	linear	POLARIZATION & LATCHING
L	F08-0149	ELA	17.04.08	xxx	scale 7:1
		angles	xx	±	dwg no
		linear	xx	±	sheet
		±	xxx	±	of 1
		dr	JL CORDIER	97.07.26	size
F	F20121	LMU	02.01.21	eng	95000
G	F20554	LMU	02.10.10	chr	A3
H	F05-0128	LMU	05.02.21	appd	JMC
		sheet	revision		type
		index	sheet		CUSTOMER Drawing