

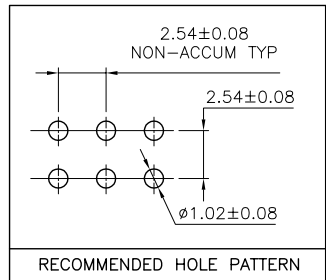
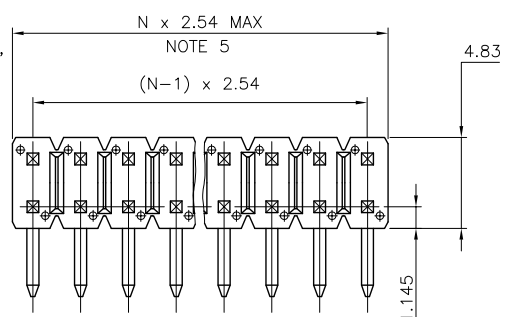
PRODUCT NUMBER
77317-YXX-XXLF

WHEN REQUIRED, ADD SUFFIX LETTER "LF"
INDICATES THE PRODUCT IS RoHS
COMPATIBLE, SEE NOTE 7

TOTAL NB OF POSITIONS 04 TO 72

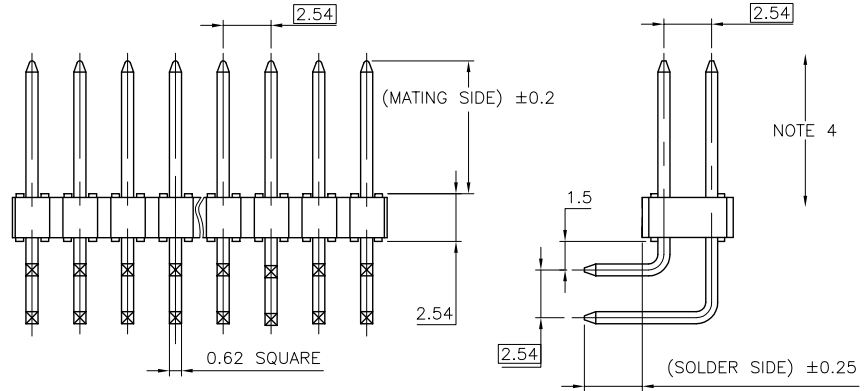
PIN STYLE SEE SHEET 2

PLATING SEE SHEET 2



NOTES:

1. HOUSING MAT'L : HIGH TEMPERATURE THERMOPLASTIC. UL94V-0 COLOR: BLACK
2. PIN MATERIAL : PHOSPHOR BRONZE
3. PRODUCT PACKAGED IN POLY BAGS.
4. 9N MIN RETENTION IN EITHER DIRECTION
5. TO DETERMINE DIMENSIONS :
N = NUMBER OF POSITIONS PER ROW
EXAMPLE : 8 POS N x 2.54 = 20.32mm
6. UNDERPLATING : 1.27µm Ni MIN
7. RoHS COMPATIBLE PRODUCT SPECIFICATIONS
 - a - PLATING:
- "LF" MEANS THE PRODUCT IS LEAD-FREE, 2µm MINIMUM MATTE TIN OVER 1.27µm MINIMUM NICKEL UNDERPLATE.
 - b - MANUFACTURING PROCESS COMPATIBILITY
- THE HOUSING WILL WITHSTAND EXPOSURE TO 260°C ±5°C SOLDER BATH TEMPERATURE FOR 5 SECONDS IN A WAVE SOLDER APPLICATION WITH A 1.6mm MIN THICK CIRCUIT BOARD.
 - c - LABELING:
- MEETS PACKAGING SPECS AS PER GS-14-920
 - d - LEGAL STATEMENT: SEE GS-22-008



mat'l. code		surface		tolerance		projection		product family	
SEE NOTES		ISO 1302		ISO 406 ISO 1101		mm		BERGSTIK	
Ltr	ecm no	dr	date	tolerances unless otherwise specified		mm		title	
AA	F04-0167	JCO	04.04.05	angles	linear	.X ±0.3	UNSHR.HEADER		
AB	F04-0362	LMU	04.11.29			.XX ±0.15	RA DR TMT		
AC	F06-0207	LMU	06.07.27			.XXX ±0.05	scale 5:1		
AD	F06-0263	LMU	06.10.27	dr	D.I.E	01.01.24	FCJ		dwg no
AE	F08-0148	RTR	08.03.31	engr	J.M.C	01.01.24	77317		sheet 1 of 2
AF	F09-0212	LMU	09.11.03	chr	J.M.C	01.01.24	type		size
		appd	J.F.N			01.01.24	CUSTOMER Drawing		A3
sheet index	revision sheet	AF 1	AD 2						



FCJconnect.com

Copyright FCJ

CATALOGUE RANGE

PLATING	PIN STYLE	MATING	SOLDER
1/4/8	03	5.84	2.54
1/4/8	04	5.84	3.05
1/4/8	12	6.8	3.05

PLATING

- 1 = 0.76µm GOLD/GXT ON CONTACT AREA
3.81µm TIN-LEAD ON TAIL
- 4 = 3.81µm TIN-LEAD ON CONTACT AREA
AND ON TAIL
- 8 = 0.38µm GOLD/GXT ON CONTACT AREA
3.81µm TIN-LEAD ON TAIL
- WHEN "LF" IS REQUIRED, 2µm MATTE
TIN OVER 1.27µm MIN NICKEL IS
PROVIDED INSTEAD OF TIN-LEAD

APPLICATION SPECIFIC

PLATING	PIN STYLE	MATING	SOLDER
1/4/8	01	5.72	2.57
1/4/8	14	10	2.7
1/4/8	15	7	16.4
1/4/8	16	7.8	13.5
1/4/8	17	7.48	1.6
1/4/8	18	8.80	2.90
1/4/8	19	2.60	2.60

PLATING

- 1 = 0.76µm GOLD/GXT ON CONTACT AREA
3.81µm TIN-LEAD ON TAIL
- 4 = 3.81µm TIN-LEAD ON CONTACT AREA
AND ON TAIL
- 8 = 0.38µm GOLD/GXT ON CONTACT AREA
3.81µm TIN-LEAD ON TAIL
- WHEN "LF" IS REQUIRED, 2µm MATTE
TIN OVER 1.27µm MIN NICKEL IS
PROVIDED INSTEAD OF TIN-LEAD

mat'l. code				surface	tolerance	projection	product family
SEE NOTES				ISO 1302	ISO 406 ISO 1101		BERGSTIK
Ltr	ecm no	dr	date	tolerances unless otherwise specified			title
X	F04-0362	LMU	04.11.29	angles	linear		
AA	F06-0207	LMU	06.07.27			.XX ±0.15	UNSHR.HEADER RA DR TMT
AB	F06-0263	LMU	06.10.27			.XXX ±0.05	
AC	F08-0148	RTR	08.03.31	dr	D.I.E	01.01.24	FCJ
AD	F09-0212	LMU	09.11.03	engr	J.M.C	01.01.24	
				chr	J.M.C	01.01.24	dwg no
				app	J.F.N	01.01.24	77317
sheet	revision						sheet 2 of
index	sheet						A3
							type
							CUSTOMER Drawing

PDM: Rev:AF

STATUS:Released

Printed: Nov 14, 2009