

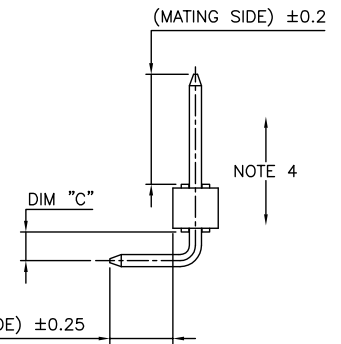
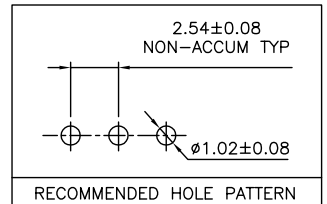
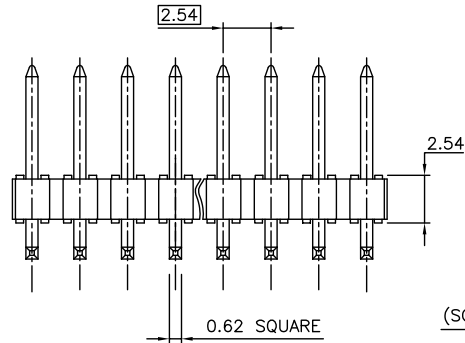
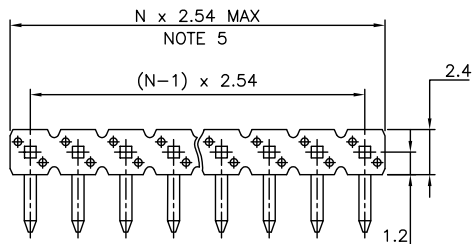
PRODUCT NUMBER

77315-YXX-XXLF

- INDICATES THE PRODUCT IS RoHS COMPATIBLE, SEE NOTE 7
- TOTAL NB OF POSITIONS 02 TO 36
- PACKAGING, NOTE 3
- PIN STYLE SEE SHEET 2
- PLATING SEE SHEET 2

NOTES:

1. HOUSING MAT'L : HIGH TEMPERATURE THERMOPLASTIC. UL94V-0 COLOR: BLACK
2. PIN MATERIAL : PHOSPHOR BRONZE
3. PACKAGING:
 - PACKAGING POLYBAG
 - "V" BLIBOX PACK FOR VALEO
4. 9N MIN RETENTION IN EITHER DIRECTION
5. TO DETERMINE DIMENSIONS :
N = NUMBER OF POSITIONS PER ROW
EXAMPLE : 8 POS N x 2.54 = 20.32mm
6. UNDERPLATING : 1.27µm Ni MIN
7. RoHS COMPATIBLE PRODUCT SPECIFICATIONS
 - a - PLATING:
 - "LF" MEANS THE PRODUCT IS LEAD-FREE, 2µm MINIMUM MATTE TIN OVER 1.27µm MINIMUM NICKEL UNDERPLATE.
 - b - MANUFACTURING PROCESS COMPATIBILITY
 - THE HOUSING WILL WITHSTAND EXPOSURE TO 260°C ±5°C SOLDER BATH TEMPERATURE FOR 5 SECONDS IN A WAVE SOLDER APPLICATION WITH A 1.6mm MIN THICK CIRCUIT BOARD.
 - c - LABELING:
 - MEETS PACKAGING SPECS AS PER GS-14-920
 - d - LEGAL STATEMENT: SEE GS-22-008



mat'l. code		surface	tolerance	projection	product family
SEE NOTES		ISO 1302	ISO 406 ISO 1101		BERGSTIK
ltr	ecm no	dr	date	title	
AC	F08-0242	LMU	08.11.03	UNSHR.HEADER	
AD	F10-0039	LMU	10.07.05	RA SR TMT	
AE	F10-0095	JCO	10.09.07	scale 5:1	dwg no
		dr	D.LE	01.01.24	sheet 1 of 2
		enrg	J.M.C	01.01.24	size
		chr	J.M.C	01.01.24	A3
		appd	J.F.N	01.01.24	77315
sheet	revision	AE	AC	type	CUSTOMER Drawing
index	sheet	1	2		

PDM: Rev:AE

STATUS:Released

Printed: Sep 25, 2010

CATALOGUE RANGE				
PLATING	PIN STYLE	MATING	SOLDER	DIM "C"
1/4/8	01	5.72	2.57	1.5
1/4/8	18	5.84	3.05	1.5
1/4/8	24	6.75	2.85	1.5

PLATING

- 1 = 0.76µm GOLD/GXT ON CONTACT AREA
3.81µm TIN-LEAD ON TAIL
- 4 = 3.81µm TIN-LEAD ON CONTACT AREA
AND ON TAIL
- 8 = 0.38µm GOLD/GXT ON CONTACT AREA
3.81µm TIN-LEAD ON TAIL
- WHEN "LF" IS REQUIRED, 2µm MATTE
TIN OVER 1.27µm MIN NICKEL IS
PROVIDED INSTEAD OF TIN-LEAD

APPLICATION SPECIFIC				
PLATING	PIN STYLE	MATING	SOLDER	DIM "C"
1/4/8	02	5.72	5.11	1.5
1/4/8	07	5.72	5.11	3.9
1/4/8	13	5.72	3.45	1.5
1/4/8	22	11.71	3.2	1.5
1/4/8	25	8.07	3.05	1.5
1/4/8	26	8.2	12.6	1.5
1/4/8	27	5	3.9	1.5
1/4/8	28	3.1	3.1	1.5
1/4/8	29	9.7	2.90	1.5
1/4/8	30	8.30	4.40	1.5
1/4/8	31	11.70	2.80	1.5
1/4/8	32	8.90	3.05	1.5
1/4/8	33	10.20	3.05	1.4

PLATING

- 1 = 0.76µm GOLD/GXT ON CONTACT AREA
3.81µm TIN-LEAD ON TAIL
- 4 = 3.81µm TIN-LEAD ON CONTACT AREA
AND ON TAIL
- 8 = 0.38µm GOLD/GXT ON CONTACT AREA
3.81µm TIN-LEAD ON TAIL
- WHEN "LF" IS REQUIRED, 2µm MATTE
TIN OVER 1.27µm MIN NICKEL IS
PROVIDED INSTEAD OF TIN-LEAD



Copyright FCI
FCIconnect.com

mat'l. code		surface		tolerance		projection		product family	
SEE NOTES		ISO 1302		ISO 406 ISO 1101				BERGSTIK	
Ltr	ecr no	dr	date	tolerances unless otherwise specified		mm		title	
Y	F08-0148	RTR	08.03.31	angles	linear	.x ±0.3 .xx ±0.15 xxx ±0.05		UNSHR.HEADER RA SR TMT	
AB	F10-0039	LMU	10.07.05			scale 5:1		dwg no	
AC	F10-0095	JCO	10.09.07	dr	D.LE	01.01.24		sheet 2 of 2	
				enrg	J.M.C	01.01.24		size	
				chr	J.M.C	01.01.24		A3	
				appd	J.F.N	01.01.24		type	
sheet index		revision sheet						CUSTOMER Drawing	