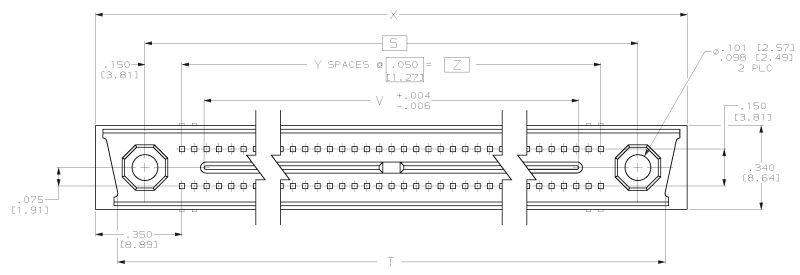
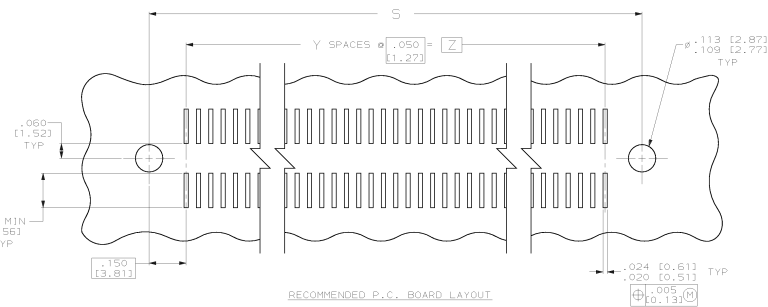
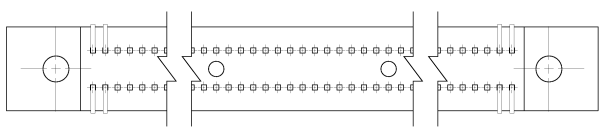
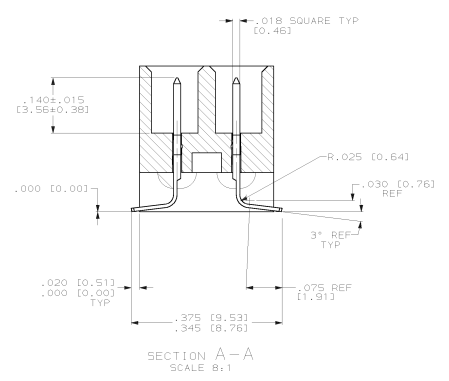
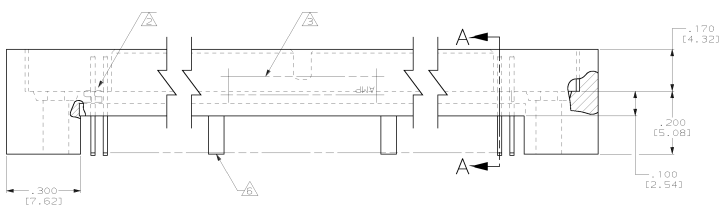


REV	DATE	BY	CHK	DESCRIPTION	APP'D	DATE
DF	F0	TD	TD	ADD -5 PER 0630-0395-00	8-90	CT DM



1. MEETS ALL APPLICABLE REQUIREMENTS OF MIL-C-55302.
2. NUMBERS INDICATING END POSITIONS MARKED THIS SIDE ONLY.
3. AMP, PART NUMBER AND DATE CODE POLYMER IN THIS APPROXIMATE AREA.
4. HOUSING MAT'L: LIQUID CRYSTAL POLYMER, COLOR: GRAY
5. EPOXY [5] ADDED TO BOTTOM OF HOUSING FOR INCREASED CONTACT RETENTION.
6. 110 & 128 POSN CONNECTOR HAS TWO STANDOFFS, 70 THRU 100 POSN HAS ONE STANDOFF.



NOT RELEASED	-	-	-	-	-	-	-	20	1-447441-1
NOT RELEASED	-	-	-	-	-	-	-	30	1-447441-0
NOT RELEASED	-	-	-	-	-	-	-	40	447441-9
NOT RELEASED	-	-	-	-	-	-	-	50	447441-8
NOT RELEASED	-	-	-	-	-	-	-	60	447441-7
NOT RELEASED	-	-	-	-	-	-	-	80	447441-6
NOT RELEASED	2,200 [55.88]	44	2,900 [73.66]	2,040 [51.82]	2,720 [69.09]	2,500 [63.50]	-	100	447441-5
NOT RELEASED	3,150 [80.01]	63	3,850 [97.79]	2,990 [75.95]	3,670 [93.22]	3,450 [87.63]	128	447441-3	
NOT RELEASED	1,700 [43.18]	34	2,400 [60.96]	1,540 [39.12]	2,220 [56.39]	2,000 [50.80]	70	447441-2	
NOT RELEASED	2,700 [68.58]	54	3,400 [86.36]	2,540 [64.52]	3,220 [81.78]	3,000 [76.20]	110	447441-1	

DIM Z	DIM Y	DIM X	DIM V	DIM T	DIM S	NO. OF PINS	PART NUMBER
3,150 [80.01]	63	3,850 [97.79]	2,990 [75.95]	3,670 [93.22]	3,450 [87.63]	128	447441-3
1,700 [43.18]	34	2,400 [60.96]	1,540 [39.12]	2,220 [56.39]	2,000 [50.80]	70	447441-2
2,700 [68.58]	54	3,400 [86.36]	2,540 [64.52]	3,220 [81.78]	3,000 [76.20]	110	447441-1

MFG: ALEXANDER BY: [REDACTED] DATE: [REDACTED]	AMP Incorporated Harrisburg, PA 17105-3608
HOUSING: [REDACTED] PINS: [REDACTED]	AMP PIN HEADER ASSEMBLY, MINI-BOX, SURFACE MOUNT
HOUSING: [REDACTED] PINS: [REDACTED]	AMP Part No: 00779 Part No: 147441