

DRAWING MADE IN THIRD ANGLE PROJECTION

3

2

1

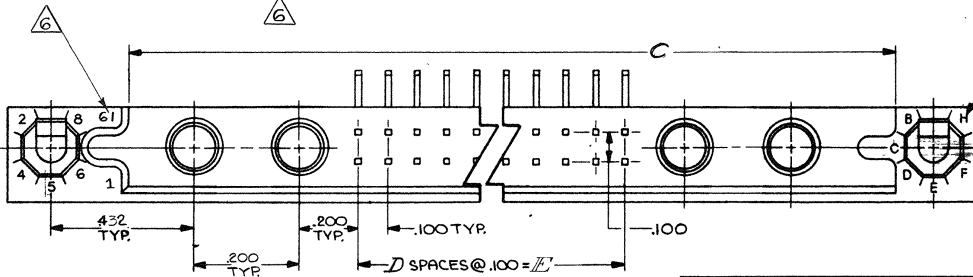
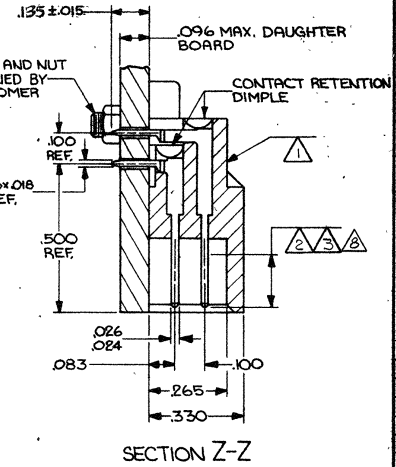
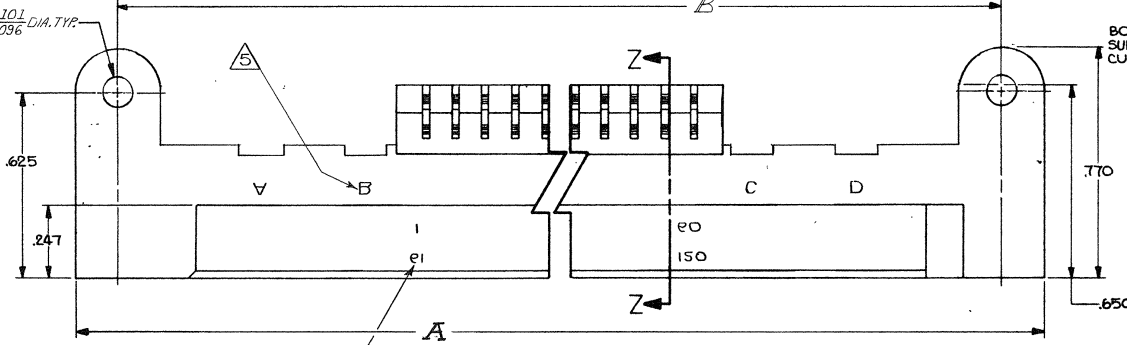
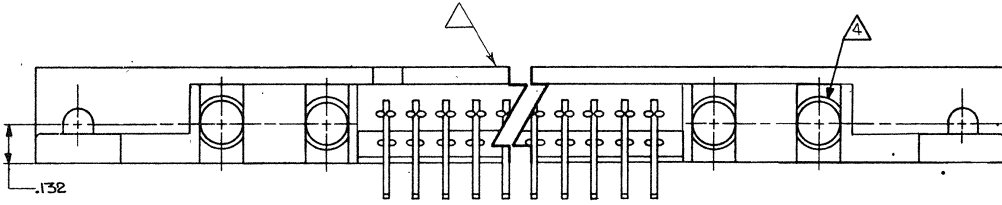
LOG SHEET
DF-10

© COPYRIGHT 19 BY AMP INCORPORATED, HARRISBURG, PA.
ALL INTERNATIONAL RIGHTS RESERVED. AMP INCORPORATED PRODUCTS
COVERED BY U. S. AND FOREIGN PATENTS AND/OR PATENTS PENDING.

THIS DRAWING IS UNPUBLISHED.

RELEASED FOR PUBLICATION _____ 19__

REVISIONS				
P	F	ZONE/LTR	DESCRIPTION	DATE APPROVED
✓	✓	0	RELEASED	7/7/84
✓	✓	A	REV PER DF-2126	8-83
✓	✓	B	REV PER DF-4316	8-77
✓	✓	C	REV 0600-5641-96	9-97
		D	REV 0600-6467-97	10-97
		E	REV PER 0114-0202-03	1-04
		F	REV PER 0114-0208-05	1-06
		G	ECO-10-002916	2-10
		H	ECO-10-002921	3-10



- 1 HOUSING MAT'L.: GLASS-FILLED POLYESTER, COLOR-BLUE.
- 2 CONTACT FINISH: .000050 NICKEL UNDERPLATE ALL OVER, .000050 GOLD IN THIS AREA, .000100 TIN-LEAD ON TAIL.
- 3 CONTACT MAT'L.: BRASS.
- 4 WILL ACCEPT MICROMINATURE COAX CONTACT AMP P/N 227602-1 & 227604-1 INSERT COAX CONTACT P/N 227602-1 FROM THIS SIDE BEFORE MOUNTING TO RC. BOARD

- CONT. PG. 2 -

UNLESS OTHERWISE SPECIFIED DIMENSIONS ARE IN INCHES. TOLERANCES ON: DECIMALS ± .010 ANGLES ± .010		CONTRACT NO.	PART NO.
MATERIAL	FINISH	DR CHK APPD AMPD OTHER APPD.	NAME AMP INCORPORATED Harrisburg, Pa.
		6-4-84 6/17/84 6/17/84 6/17/84	BOX 1001 SERIES, PIN HEADER ASSEMBLY, WITH COAX
		DSGN APPD.	SIZE CODE IDENT NO DRAWING NO
			C 00779 533182
			SCALE 4:1 SHEET 1 OF 2

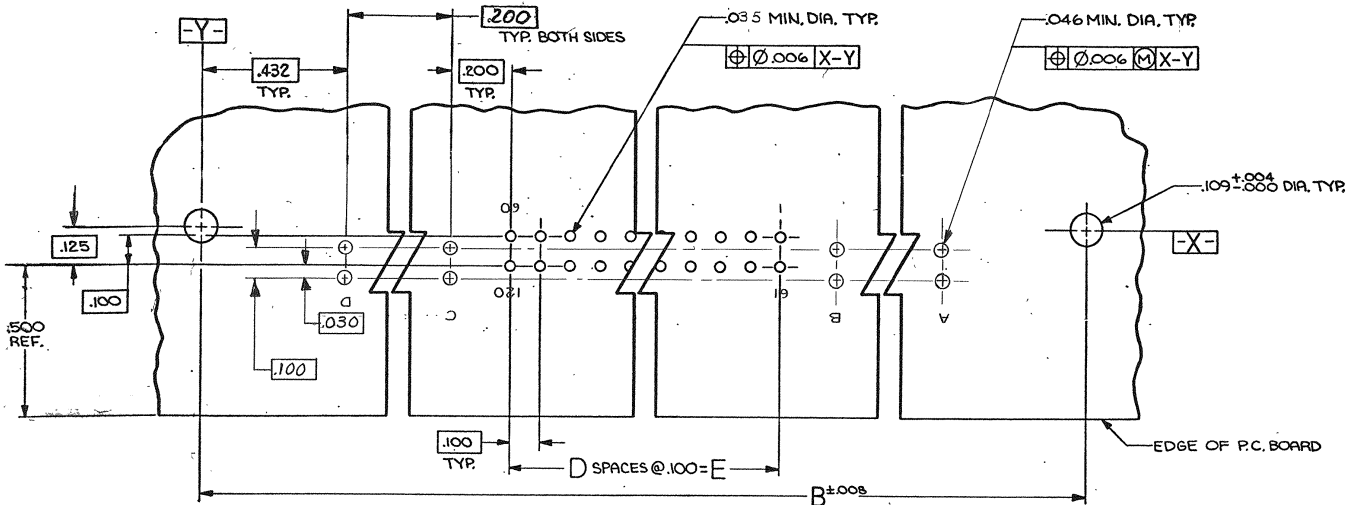
CUSTOMER DRAWING

533182

DRAWING MADE IN THIRD ANGLE PROJECTION

THIS DRAWING IS UNPUBLISHED. RELEASED FOR PUBLICATION 19
 © COPYRIGHT 19 BY AMP INCORPORATED, HARRISBURG, PA. ALL INTERNATIONAL RIGHTS RESERVED. AMP PRODUCTS MAY BE COVERED BY U.S. AND FOREIGN PATENTS AND/OR PATENTS PENDING.

P		Z		L		R		REVISIONS	
NO.	DATE	NO.	DATE	NO.	DATE	NO.	DATE	DESCRIPTION	DATE APPROVED
1								(SEE SHEET 1 OF 2)	



RECOMMENDED P.C. BOARD LAYOUT

- ⚠ COAX POS. (A, B, C & D) MARKED ON OPPOSITE SIDE ONLY
- ⚠ CONT. POS. MARKED ON OPPOSITE SIDE ONLY. NUMBERS INDICATING EVERY FIFTH CAVITY MARKED ON SIDE. NUMBERS INDICATING END CAVITIES MARKED ON MATING FACE.
- ⚠ AMP, P/N & DATE CODE MARKED THIS AREA
- ⚠ CONTACT FINISH: .000050 NICKEL UNDERPLATE ALL OVER, .000050 GOLD IN THIS AREA, .000100 TIN ON TAIL

⚠	1.900	19	3.175	3.565	3.855	4	40	5-533182-3	
⚠	5.900	59	7.175	7.565	7.855	4	120	1-533182-0	
⚠	OBS	5.400	54	6.675	7.065	7.355	4	110	7-9
⚠	OBS	4.900	49	6.175	6.565	6.855	4	100	8
⚠	OBS	4.400	44	5.675	6.065	6.355	4	90	7
⚠	OBS	3.900	39	5.175	5.565	5.855	4	80	6
⚠	OBS	3.400	34	4.675	5.065	5.355	4	70	5
⚠	OBS	2.900	29	4.175	4.565	4.855	4	60	4
⚠	1.900	19	3.175	3.565	3.855	4	40	3	
⚠	1.400	14	2.675	3.065	3.355	4	30	2	
⚠	OBS	2.900	29	4.175	4.565	4.855	4	60	533182-1

UNLESS OTHERWISE SPECIFIED DIMENSIONS ARE IN INCHES.		CONTRACT NO		AMP INCORPORATED Harrisburg, Pa. 17108	
TOLERANCES ON: DECIMALS ± .010 ANGLES ±		DR	M. Smith 6-7-84	NAME	BOX 1001 SERIES, PIN HEADER ASSEMBLY WITH COAX
MATERIAL		CHK	D. Ryan 4/1/84	SIZE	C
FINISH		ABPD	P. Ryan 6/4/84	FSCM NO.	00779
		ASPB	D. Ryan 4/1/84	DRAWING NO.	533182
		DSGN/APPD		REV	H
		OTHER APPD		SCALE	
				NO. OF COAX POS.	60
				NO. OF COAX POS.	60
				PART NO.	533182-1

CUSTOMER DRAWING

533182