

4

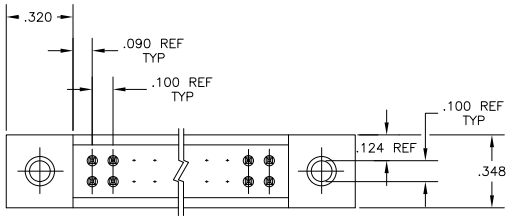
3

2

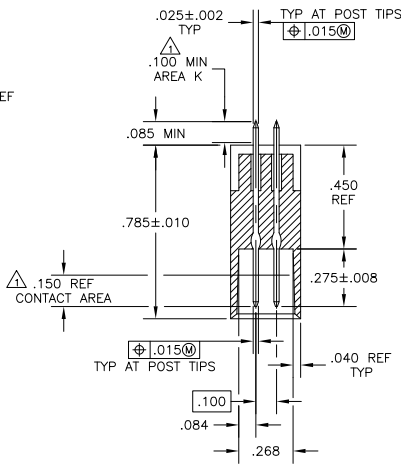
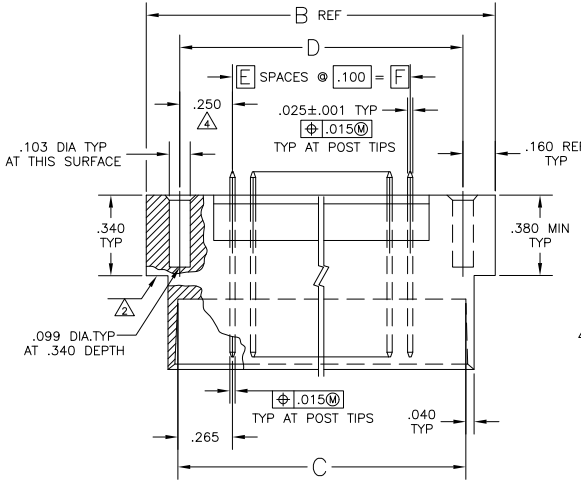
1

THIS DRAWING IS UNPUBLISHED. RELEASED FOR PUBLICATION
 BY TYCO ELECTRONICS CORPORATION. ALL RIGHTS RESERVED.

LOC	DIST	REVISIONS		
P	LTR	DESCRIPTION	DATE	BY
AD	00			
G		EC 063C 0216 05	28DEC05	BSV/JLG



- ① .000015 MIN GOLD IN CONTACT AREA, .000100-.000200 MATTE TIN-LEAD IN AREA K ALL OVER .000050 MIN NICKEL.
- ② "AMP" TRADEMARK SHALL BE ON PART.
- ③ TOLERANCE NON-CUMULATIVE.
- ④ DIMENSION APPLIES AT BASE OF HOUSING.
- ⑤ .000015 MIN GOLD IN CONTACT AREA, .000100-.000200 MATTE TIN IN AREA K ALL OVER .000050 MIN NICKEL.



TYPICAL SECTION THRU CAVITY

RECOMMENDED HOLE LAYOUT

⑤	1.900	19	2.400	2.430	2.720	40	5-102871-2
⑤	2.500	25	3.000	3.030	3.320	52	5-102871-1
④	1.900	19	2.400	2.430	2.720	40	102871-2
④	2.500	25	3.000	3.030	3.320	52	102871-1
FINISH	F	E	D	C	B	NO OF POSN	PART NO

THIS DRAWING IS A CONTROLLED DOCUMENT. DATE: 15 DEC 81

Tyco Electronics Corporation
 Harrisburg, Pa 17105-3608

NAME: Tyco Electronics
 PRODUCT SPEC: -
 APPLICATION SPEC: -
 WEIGHT: -

SIZE: A2
 CASE CODE: 00779
 DRAWING NO: C=102871

CUSTOMER DRAWING SCALE: 1:1 SHEET: 1 OF 1 REV: G

AMP 1471-9 REV 31MM2000