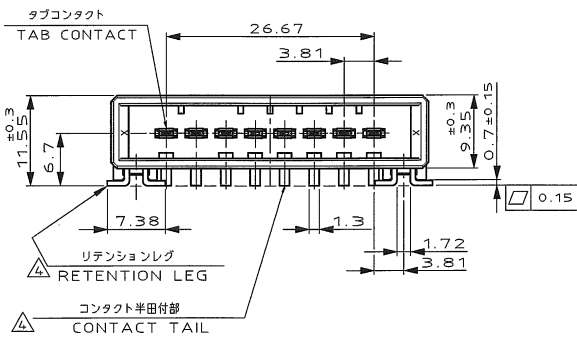
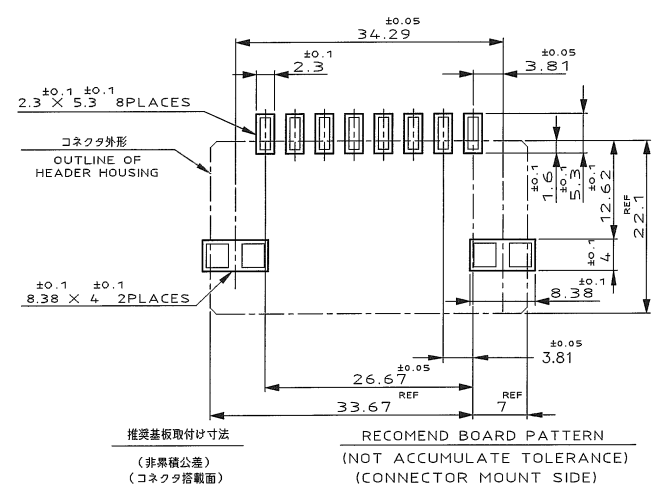
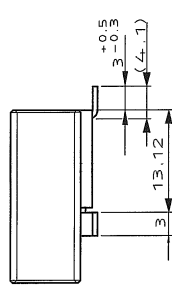
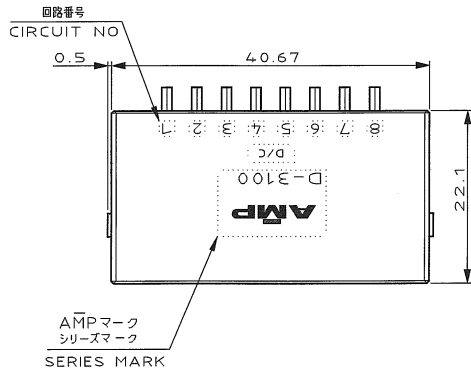


NUMBER 179188  
 3rd ANGLE PROJECTION  
 METRIC  
 PROJ. NO. 593-611  
 DIMENSIONS IN MILLIMETERS. DO NOT SCALE PRINT  
 PRINT DIST  
 AMP-J  
 REV.10/93



NOTES

- MATERIAL:HOUSING:GLASS FILED THERMO PLASTIC,UL94V-0  
 CONTACT: COPPER ALLOY  
 RETENTION LEG: COPPER ALLOY
- FINISH(CONTACT AREA):0.38μmMIN GOLD PLATING OVER Ni PLATING
- FINISH(CONTACT AREA):0.76μmMIN GOLD PLATING OVER Ni PLATING
- FINISH(RETENTION LEG): TIN PLATED (SOLDER TYING) OVER NICKEL

注記

- 材料: ハウジング: ガラス入り熱可塑性樹脂,UL94V-0  
 コネクタ: 銅合金  
 リテンションレグ: 銅合金
- めっき: コネクタ接触部: ニッケル下地の上面めっき0.38μmMIN
- めっき: コネクタ接触部: ニッケル下地の上面めっき0.76μmMIN
- めっき: リテンションレグとコンタクト半田付部: ニッケル下地の上面めっき

△	△	1-179188-3
△	△	1-179188-2
(FINISH)		製品番号 (PART NO.)

A	REVISED	FJD0-0039-03	TS	SM	6/2/93
0	RELEASED	FJ00-0450-93	NM	SM	8/23/93
LTR	REVISION RECORD		DR	CHK	DATE

Copyright © 1993 AMP(Japan) LTD. ALL RIGHTS RESERVED.		tyco Electronics		Tyco Electronics AMP K.K. Kawasaki, Japan	
WIRE RANGE	INSULATION DIA	NAME			
mm(TAWG)	mm	8 POS SINGLE ROW SMT TYPE HORIZONTAL HDR ASS'Y FOR DYNAMIC 3100			
MATERIAL	SEE NOTE	FINISH	SEE NOTE	-公差 (GENERAL TOLERANCE)	
DR.	18 AUG 93 N. Matsubara	DE.	18 AUG 93 N. Matsubara	SIZE	LOC
CHK.	21 AUG 93 S. MANABE	APP.	21 AUG 93 S. MANABE	SCALE	REV.

100P	±0.2	A3	J	NUMBER	179188
1000P	±0.3	SCALE	2-1	REV.	A
3000P	±0.4	SHEET	1 OF 1		

(CUSTOMER DRAWING) 顧客用図面