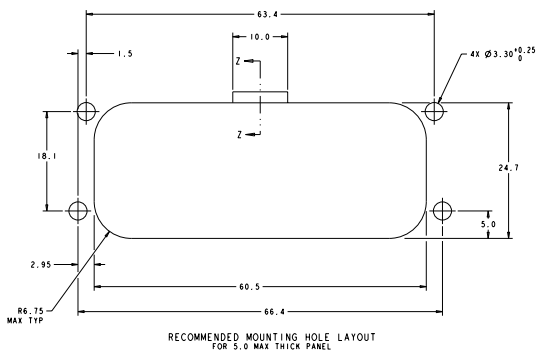
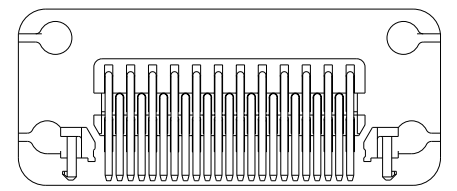
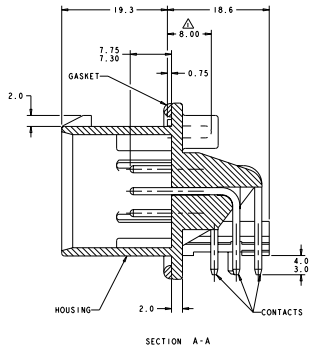
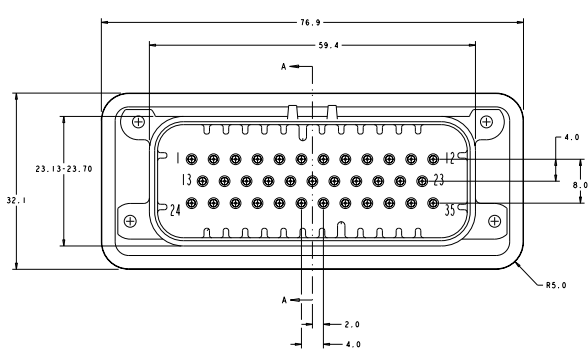
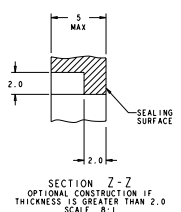


REV	DATE	DESCRIPTION	BY	CHK
1		REVISED PER ESD-16-00000
2		REVISED PER ESD-16-00000
3		REVISED PER ESD-16-00000

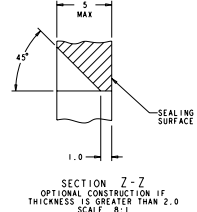
ACCEPTS #4 SELF TAPPING SCREW (ELCO #1-10 THREAD CUTTING STYLE OR EQUIVALENT) TO BE DRIVEN AT 0.850.2 N.W.
 HOUSING COLORS ARE MECHANICALLY KEYS TO MATE ONLY WITH IDENTICALLY COLORED PLUG ASSEMBLIES.



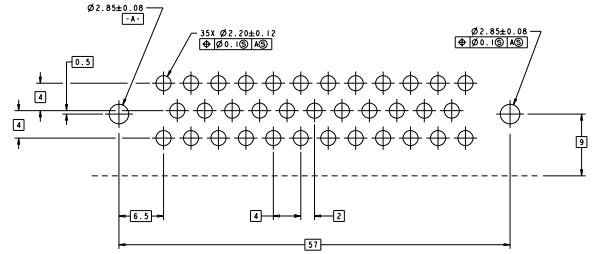
RECOMMENDED MOUNTING HOLE LAYOUT FOR 5.0 MAX THICK PANEL



SECTION Z-Z OPTIONAL CONSTRUCTION IF THICKNESS IS GREATER THAN 2.0 SCALE: 8:1



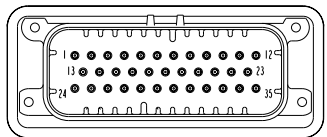
SECTION Z-Z OPTIONAL CONSTRUCTION IF THICKNESS IS GREATER THAN 2.0 SCALE: 8:1



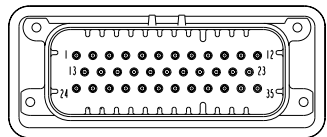
RECOMMENDED P.C. BOARD LAYOUT FOR 1.57 THICK P.C. BOARD

776163-1 & 1-776163-1
KEY LOCATION AS SHOWN

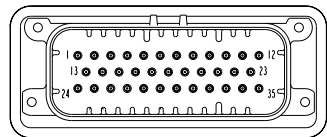
SILICONE	BRASS	DURAGOLD	PBT	ORANGE	1-776163-0
SILICONE	BRASS	DURAGOLD	PBT	BLUE	1-776163-5
SILICONE	BRASS	DURAGOLD	PBT	GRAY	1-776163-4
SILICONE	BRASS	DURAGOLD	PBT	NATURAL (WHITE)	1-776163-3
SILICONE	BRASS	DURAGOLD	PBT	BLACK	1-776163-1
SILICONE	BRASS	TIN	PBT	BLUE	776163-5
SILICONE	BRASS	TIN	PBT	GRAY	776163-4
SILICONE	BRASS	TIN	PBT	NATURAL (WHITE)	776163-3
SILICONE	BRASS	TIN	PBT	BLACK	776163-1
SEVERAL	VARIOUS	FERRIC	NATURAL	COLOR	776163-1



776163-2 & 1-776163-2
KEY LOCATION AS SHOWN
SCALE: 3:1



776163-4 & 1-776163-4
KEY LOCATION AS SHOWN
SCALE: 3:1



776163-5 & 1-776163-5
KEY LOCATION AS SHOWN
SCALE: 3:1

SYMBOL	DESCRIPTION	REFERENCE
...
...
...