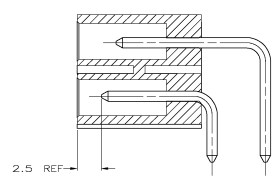
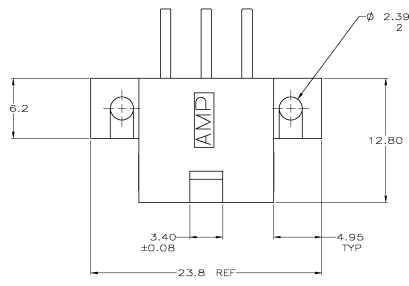
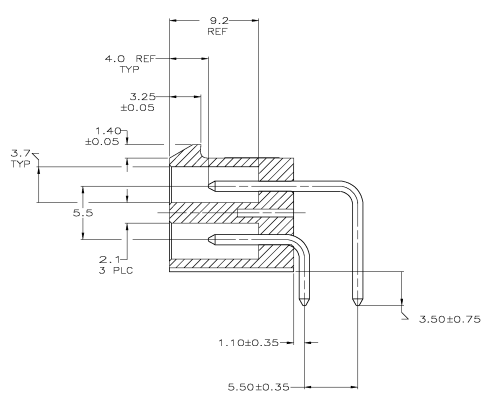
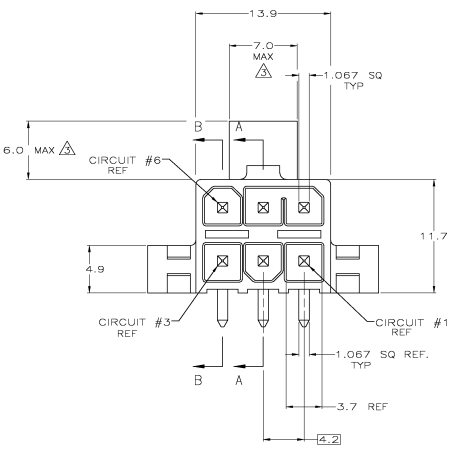


REV	DATE	DESCRIPTION	BY	CHK	APP
CM	5.3				
A		REV PER DS13-0598-04	DAMARCO	RG	AF

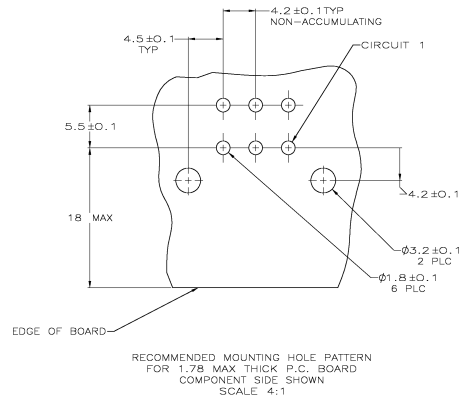


SECTION B-B

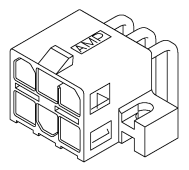
- △ CONTACT: 0.00076 GOLD AT INTERFACE, 0.00254 MIN MATTE TIN ON SOLDER TAIL, 0.00127 MIN NICKEL UNDERPLATE ALL OVER.
- 2. MATES WITH AMP-DUAC/PL PLUG RECEPTACLE 794153 AND ITS CONTACTS.
- △ CLEARANCE ENVELOPE FOR MATING PLUG RECEPTACLE LATCH.
- △ ALL POSTS STANDARD.
- △ CONTACT GROUND POST LOCATED IN CIRCUIT 3, ASSEMBLY P/N 5794173-3.
- △ CONTACT GROUND POST LOCATED IN CIRCUIT 3, ASSEMBLY P/N: 5794173-4.



SECTION A-A



5794173-3 SHOWN



3-DIMENSIONAL MODEL NTS

POST NO. OMITTED	MATERIAL	FINISH	MATERIAL	COLOR	PART NO.
2,5	BRASS	△	PBT, UL94V-0	NATURAL(WHITE)	5794173-4
-	BRASS	△	PBT, UL94V-0	NATURAL(WHITE)	5794173-3
-	BRASS	△	PBT, UL94V-0	NATURAL(WHITE)	5794173-2



THIS DRAWING IS A CONTROLLED DOCUMENT.		DATE: 11-13-03		REV: 04	
DRAWN BY: [Signature]		CHECKED BY: [Signature]		APPROVED BY: [Signature]	
DATE: 11-13-03		SCALE: 1:1		SHEET: 1 OF 1	
PART: 5794173-3		CUSTOMER DRAWING		REV: A	