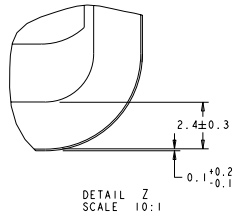
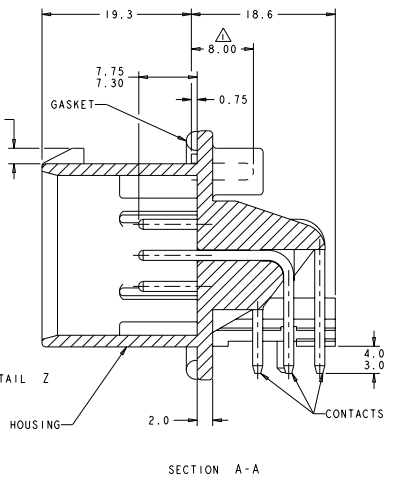
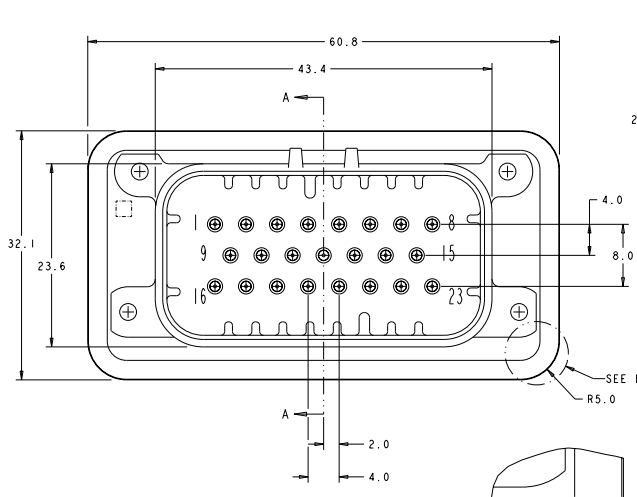
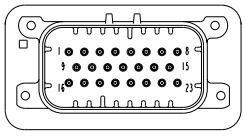
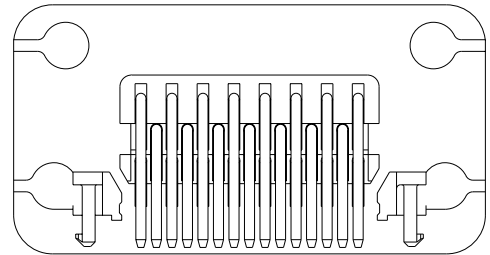


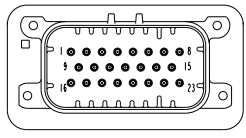
REV	DATE	DESCRIPTION	BY	CHK	APP
E2		REVISED PER ECO-10-000719			BLO DCS
E3		REVISED PER ECO-10-017165			BLO DCS



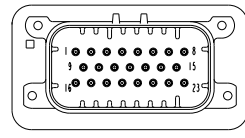
△ ACCEPTS #4 SELF TAPPING THREAD CUTTING SCREWS OR METRIC EQUIVALENT. DRIVE TO 0.6±0.2 N·m MAX.
 △ HOUSING COLORS ARE MECHANICALLY KEYED TO MATE ONLY WITH IDENTICALLY COLORED PLUG ASSEMBLIES.



776087-2 & 1-776087-2
 KEY LOCATION AS SHOWN
 SCALE 2:1



776087-4 & 1-776087-4
 KEY LOCATION AS SHOWN
 SCALE 2:1



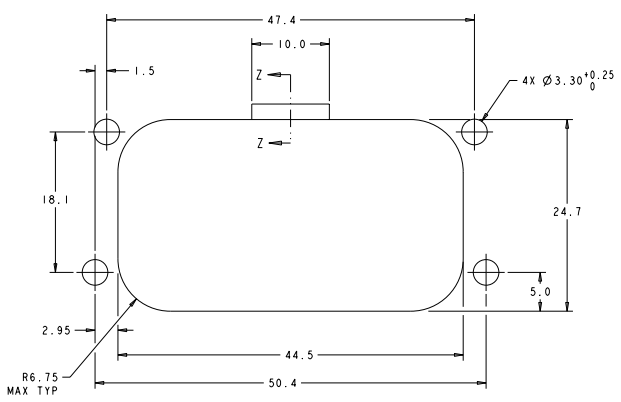
776087-5 & 1-776087-5
 KEY LOCATION AS SHOWN
 SCALE 2:1

776087-1 & 1-776087-1
 KEY LOCATION AS SHOWN

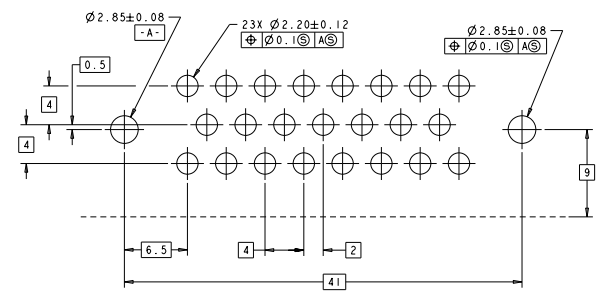
MATERIAL	MATERIAL	FINISH	MATERIAL	COLOR	PART NUMBER
SILICONE	BRASS	DURAGOLD	PBT	BLUE	1-776087-5
SILICONE	BRASS	DURAGOLD	PBT	GRAY	1-776087-4
SILICONE	BRASS	DURAGOLD	PBT	NATURAL (WHITE)	1-776087-2
SILICONE	BRASS	DURAGOLD	PBT	BLACK	1-776087-1
SILICONE	BRASS	TIN	PBT	BLUE	776087-5
SILICONE	BRASS	TIN	PBT	GRAY	776087-4
SILICONE	BRASS	TIN	PBT	NATURAL (WHITE)	776087-2
SILICONE	BRASS	TIN	PBT	BLACK	776087-1

DIMENSIONS: mm UNLESS OTHERWISE SPECIFIED: DECIMALS: 0.1 FRACTIONS: 1/16 TOLERANCES: FRACTIONS: SEE TABLE	REV: 31DEC2007 CD: 31DEC2007 DATE: 31DEC2007 SPECIFICATION SPEC: 00779 CUSTOMER DRAWING: 776087	Yair Electronics Harrisburg, PA 17105-3600 HEADER ASSEMBLY, 23 POSITION, SNAP-IN, AMPSEAL	STATE: PA SCALE CODE: 2:1 SHEET: 1 OF 2 DRAWING NO: 00779 PART NUMBER: 776087
--	---	---	---

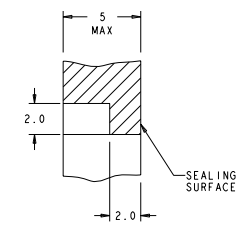
REVISOR		REVISIONS		DATE	BY	CHKD	APPD
00	GE	1	SEE SHEET 1				



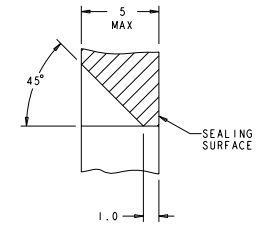
RECOMMENDED MOUNTING HOLE LAYOUT FOR 5.0 MAX THICK PANEL



RECOMMENDED P.C. BOARD LAYOUT FOR 1.57 THICK P.C. BOARD



SECTION Z-Z
 OPTIONAL CONSTRUCTION IF THICKNESS IS GREATER THAN 2.0
 SCALE 8:1



SECTION Z-Z
 OPTIONAL CONSTRUCTION IF THICKNESS IS GREATER THAN 2.0
 SCALE 8:1

DATE: 21DEC2002	DESIGNER: TYP	CHECKED: TYP	DATE: 21DEC2002
DRWING: 000001042105	DATE: 21DEC2002	DATE: 21DEC2002	DATE: 21DEC2002
23 POSITION SNAP-IN AMPSEAL HEADER ASSEMBLY		TYP Electronics Harrisburg, PA 17105-3600	
STATE: PA	CAGE CODE: 00778	DATE: 21DEC2002	DATE: 21DEC2002
REV: A	REV: 1	REV: 2	REV: 3
CUSTOMER DRAWING		PAGE 2 OF 2 SHEET 3	