

4

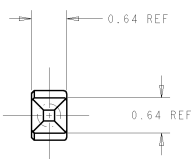
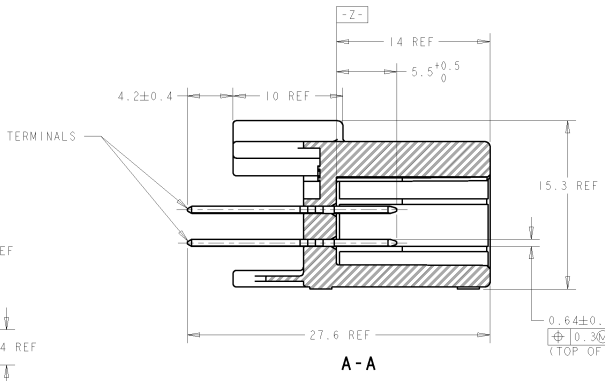
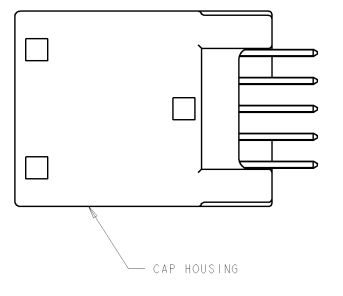
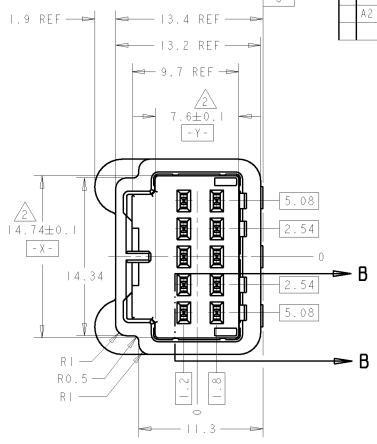
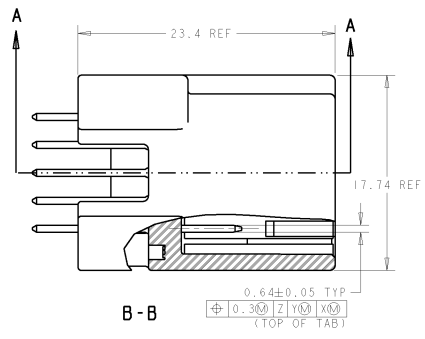
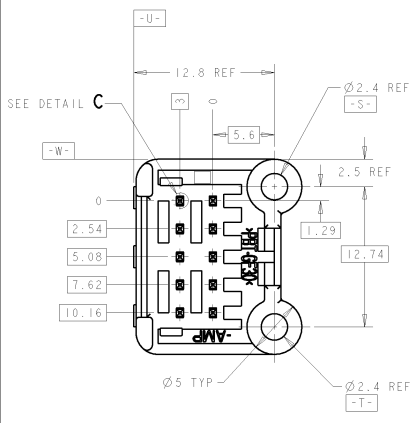
3

2

1

THIS DRAWING IS UNPUBLISHED. RELEASED FOR PUBLICATION BY TYCO ELECTRONICS CORPORATION. ALL RIGHTS RESERVED.

REV	DATE	BY	APP'D
A	20020001	ROV	GEN
A1	20020007	DLD	SSA
A2	20020011	DLD	SSA



DETAIL C  
SCALE 20:1

1. TO BE MATED SMOOTHLY WITH THE PLUG HOUSING ASSEMBLY, P/N 936163-2.
2. MEASURED AT 6mm FROM DATUM -Z-.
3. AS FOR HANDLING OF PRODUCT, FOLLOW INSTRUCTION SHEET #411-5928.
4. RECOMMENDED MOUNTING SCREW: PAN HEAD, TYPE #2 TAPPING SCREW OF 3mm NOMINAL DIAMETER, LENGTH - 6mm, FOR 1.6 BOARD THICKNESS, IN JIS B1115, B1122 (REF. TIGHTENING TORQUE: 0.4Nm MAX.).

BRASS	TIN	PCT	BLACK	936166-3
BRASS	TIN	PBT	BLACK	936166-2
MATERIAL	FINISH	MATERIAL	COLOR	PART NUMBER

SW	VESTAL	TYCO ELECTRONICS
CO	MILLER	Harrisburg, PA 17105-3400
PR	MILLER	
DATE	17MAY2001	
PRODUCT SPEC		
APPLICATION SPEC		
WEIGHT		
CUSTOMER DRAWING		

025 SERIES I/O CONNECTOR  
10 POSITION CAP HOUSING ASSEMBLY  
V-TYPE (2.54mm PITCH)

SIZE CASE CODE DRAWING NO. RESTRICTED TO  
A2 00779 C=936166 SCALE 4:1 SHEET 1 OF 2 REV A2

936166

A

4

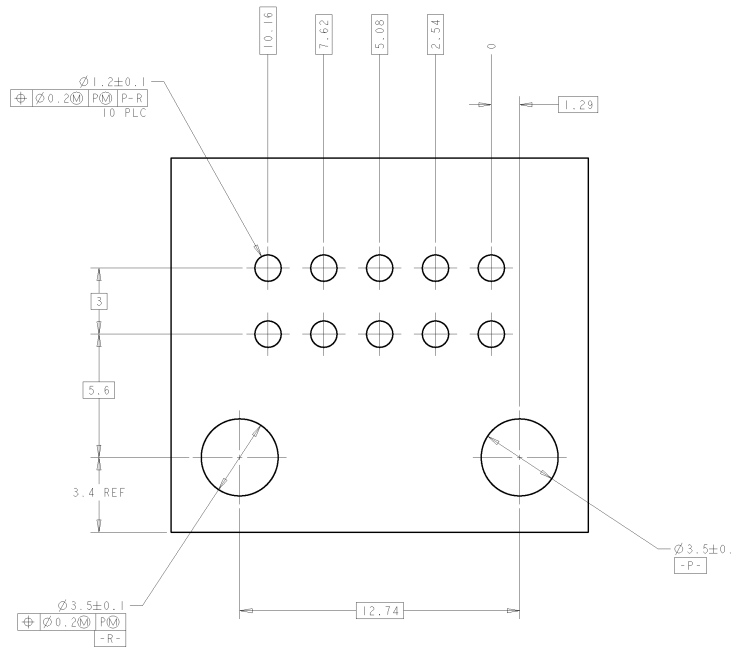
3

2

1

THIS DRAWING IS UNPUBLISHED. RELEASED FOR PUBLICATION 20  
 (C) COPYRIGHT BY TYCO ELECTRONICS CORPORATION. ALL RIGHTS RESERVED.

REV	DATE	DESCRIPTION	DATE	APP'D
FX 00		SEE SHEET 1	-	-



P.C. BOARD LAYOUT  
 (RECOMMENDED BOARD THICKNESS: 1.57mm)  
 SCALE 8:1

936166

DIMENSIONS:		UNIT		DATE	BY	CHK'D	APP'D	REV
mm		INCHES		12/20/01	V. VESTAL	G. MILLER	J. MILLER	A2
0	P.L.C.	#0.3		TYCO ELECTRONICS		Harrisburg, PA 17105-3400		
1	P.L.C.	#0.3		025 SERIES I/O CONNECTOR		10 POSITION CAP HOUSING ASSEMBLY		
2	P.L.C.	#0.15		V-TYPE (2.54mm PITCH)				
3	P.L.C.	#-		APPLICATION SPEC				
4	P.L.C.	#-		WEIGHT				
5	P.L.C.	#0.30		CUSTOMER DRAWING				
MATERIAL		FINISH		SCALE		SHEET		REV
				4:1		2 OF 2		A2

AMP 1471-0 REV 0INK0200