

4

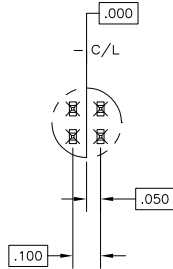
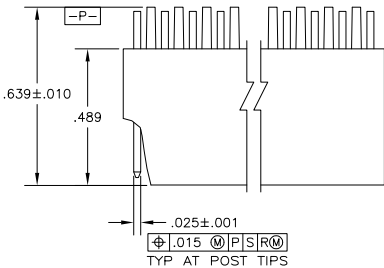
3

2

1

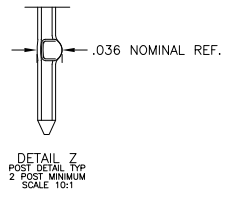
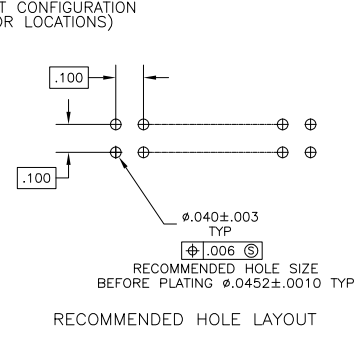
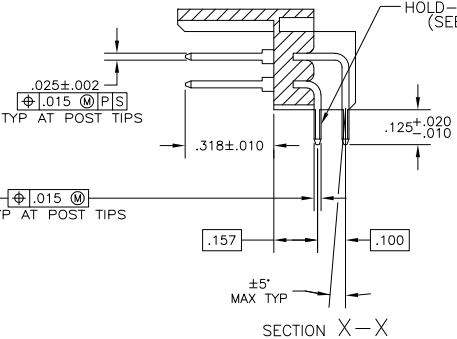
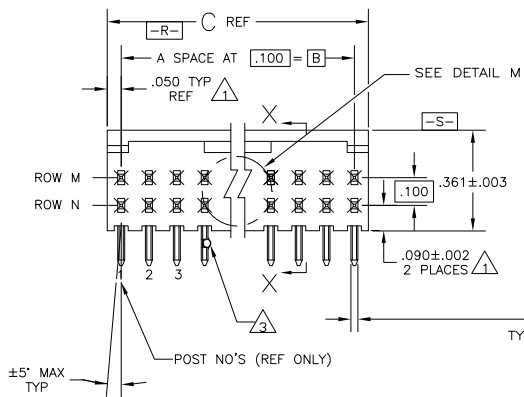
THIS DRAWING IS UNPUBLISHED. RELEASED FOR PUBLICATION.  
 © COPYRIGHT BY TYCO ELECTRONICS CORPORATION. ALL RIGHTS RESERVED.

LOC		DIST		REVISIONS			
AD	00	F	LN	DESCRIPTION	DATE	BY	APPD
		H	EG	063C 0209 05	28APR05	BSV	JLG



- △ THE NOTED DIMENSION APPLIES AT THE INTERSECTION OF THE POST AND HOUSING
- △ SELECTIVE POSTS ARE FORMED TO PROVIDE CONNECTOR RETENTION TO PC BOARD UNTIL SOLDERED. RETENTION FEATURE IS FOR .055 MINIMUM PC BOARD THICKNESS. SEE DETAIL Z FOR FORM AND TABLE FOR LOCATIONS.
- △ FINISH: POSTS: .000100-.000200 BRIGHT TIN-LEAD OVER .000050 NICKEL ON ENTIRE POST.
- △ FINISH: POSTS: .000100-.000200 MATTE TIN OVER .000050 NICKEL ON ENTIRE POST.

DETAIL M  
 BASIC DIMENSION FOR  
 ODD NUMBER OF SPACES.



△	2,3,6,7	-	.795	.700	7	16	5-104421-1
△	2,3,6,7	-	.795	.700	7	16	104421-1
PLATING	ROW N	ROW M	C	B	A	NO OF POS	ASSEMBLY PART NUMBER
	HOLD-DOWN POST CONFIG LOCATIONS						

THIS DRAWING IS A CONTROLLED DOCUMENT.		DR: SCOTT A. SHUEY 7-6-88	Tyco Electronics Corporation	
DIMENSIONS: INCHES		OR: R. FEJDT 10-6-88	Harrisburg, Pa 17105-3608	
TOLERANCES UNLESS OTHERWISE SPECIFIED:		APPRO: R. FEJDT	HEADER ASSY, MODU II, DBL ROW, .100 X .100 C/L, RT ANGLE, (1) SIDED SHROUD WITH HOLD DOWN CONFIGURATION	
0 PLC	± .005	PRODUCT SPEC	SIZE	RESTRICTED TO
1 PLC	± .005	APPLICATION SPEC	A2	00779
2 PLC	± .005	WEIGHT	C=104421	
3 PLC	± .005	CUSTOMER DRAWING	SCALE	4:1
4 PLC	± .005		SHEET	1 OF 1
ANGLE	± .005		REV	H
FINISH	SEE TABLE			

AMP 1471-9 REV 31MMR000

104421

A